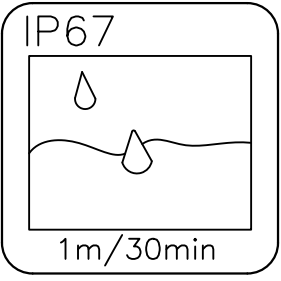
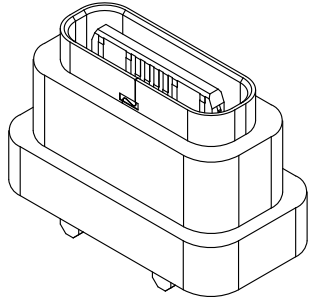
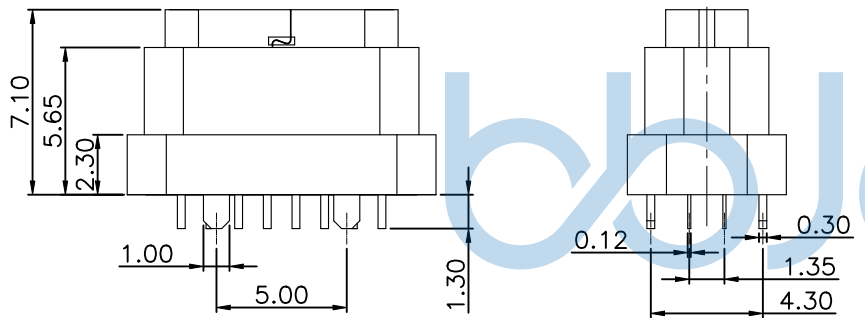
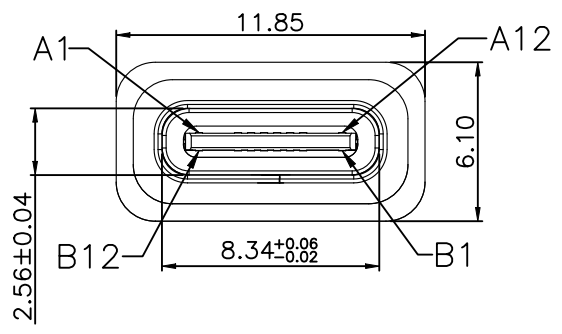


REV.	ECN NO	CONTENT	DATE	ENGINEER
A0		Initial release	/	TSP



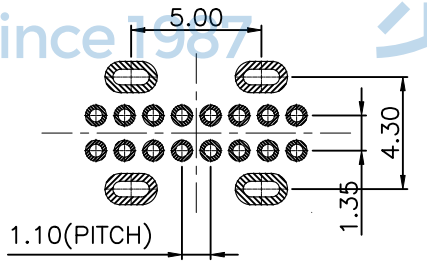
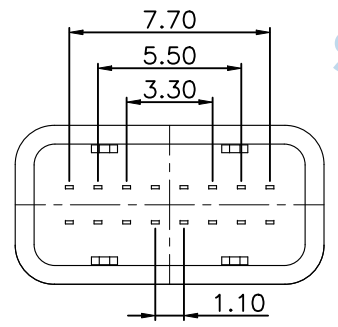
- NOTES:
SPECIFICATION:
- CURRENT RATING: 3.0A MAX
 - DIELECTRIC WITHSTAND VOLTAGE: 100VAC
 - TEMPERATURE RANGE: -30 °C ~ 85 °C
 - CONTACT RESISTANCE: 40 MILLIONHM MAX
 - INSULATION RESISTANCE: 100 MEGOHMS MIN.
 - INSERTION FORCE : 5N~20N
 - UNMATING FORCE: 8N~20N
 - DURABILITY:10,000 CYCLES



结构设计注意:
成品使用时, 如有洗面奶泡沫、牙膏、洗手液、脏污液体, 请在TYPE-C口外面再设计一层外壳, 保护TYPE-C母座与公头连接的金手指不会被脏污覆盖。

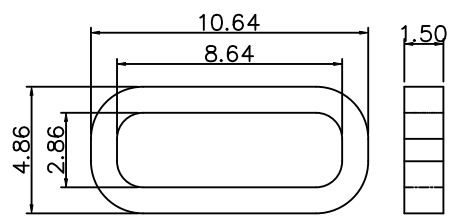


Since 1987 步步精科技



RECOMMENDED PCB LAYOUT(TOP VIEW)
(GENERAL TOLERANCE±0.05)

A1	GND	B12	GND
A4	VBUS	B9	VBUS
A5	CC1	B8	SBU2
A6	DP1	B7	DN2
A7	DN1	B6	DP2
A8	SBU1	B5	CC2
A9	VBUS	B4	VBUS
A12	GND	B1	GND
PIN	SIGNAL NAME	PIN	SIGNAL NAME



建议胶圈尺寸

6	防水圈	硅胶	BLACK	1PCS
5	SHELL	STAINLESS STEEL	NI Plated	1PCS
4	SHIELDING PLATE	STAINLESS STEEL	NI Plated	1PCS
3	CONTACT	COPPER ALLOY	Au/Ni Plated	1SET
2	SHELL HOUSING	HIGH TEMPERATURE PLASTIC	BLACK	1PCS
1	HOUSING	HIGH TEMPERATURE PLASTIC	BLACK	1PCS
NO.	DESCRIPTION	MATERIAL	REMARKS	QTY

THIS DOCUMENT IS THE SOLE PROPERTY OF BBJconn Technology Co.,Ltd. Corporation AND SHOULD NOT BE USED IN WHOLE OR IN PART WITHOUT PRIOR WRITTEN PERMISSION.

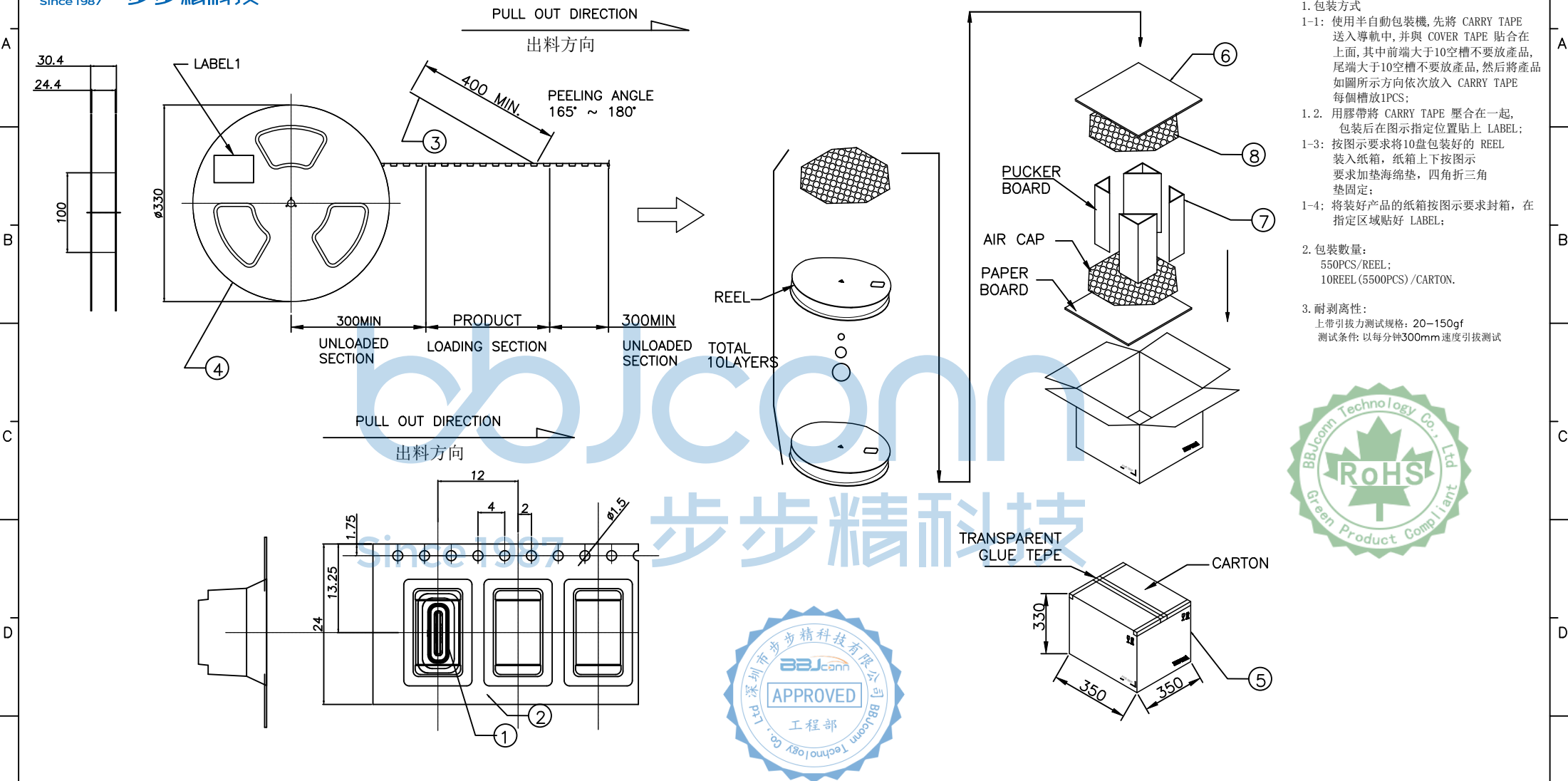
PDWG.NO: 0514-1

APPD. JM_Zheng
CHKD. LYX
DR. TSP

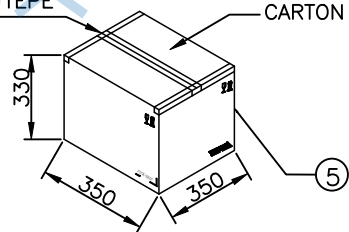
NAME: TYPE-C 16P 防水母座 直立式 DIP 四脚插 H=7.10 IPX7 编带

PJ. NO.: 126-225-160002-N6G
SIZE: A4 DRW NO.:
FINISH: SEE NOTES MAT'L.: SEE NOTES
SCALE: N/A REV.: A0 UNIT: mm PAGE: 1/2

REV.	ECN NO	CONTENT	DATE	ENGINEER
A0		Initial release	/	TSP



- 包装方式
1-1: 使用半自动包装机, 先将 CARRY TAPE 送入导轨中, 并与 COVER TAPE 贴合在上面, 其中前端大于10空槽不要放产品, 尾端大于10空槽不要放产品, 然后将产品如图所示方向依次放入 CARRY TAPE 每个槽放1PCS;
1.2. 用胶带将 CARRY TAPE 压合在一起, 包装后在图示指定位置贴上 LABEL;
1-3: 按图示要求将10盘包装好的 REEL 装入纸箱, 纸箱上下按图示要求加垫海绵垫, 四角折三角垫固定;
1-4: 将装好产品的纸箱按图示要求封箱, 在指定区域贴好 LABEL;
- 包装数量:
550PCS/REEL;
10REEL (5500PCS) /CARTON.
- 耐剥离性:
上带引拔力测试规格: 20-150gf
测试条件: 以每分钟300mm速度引拔测试



8	气泡垫	L=345,W=345,T=10	2PCS
7	纸板 (折三角垫)	L=430,W=330,T=6	4PCS
6	硬纸板	L=330,W=330,T=6	2PCS
5	外箱	L=350,W=350,H=330	1PCS
4	卷盘	PS,BLUE,A=330,B=100,W=32.4	10PCS
3	上带	PET,CLEAR,W=21.3	6.5m
2	载带	PS,BLACK,W=24,T=0.4,P=16	6.5m
1	UAB CONN	UAB CONN	5500PCS
NO.	NAME	SPEC	Q'TY

THIS DOCUMENT IS THE SOLE PROPERTY OF BBJconn Technology Co.,Ltd. Corporation AND SHOULD NOT BE USED IN WHOLE OR IN PART WITHOUT PRIOR WRITTEN PERMISSION.		深圳市步步精科技有限公司 .X: ±0.38 .X': ±3' .XX: ±0.25 .X'': ±2' .XXX: ±0.13 .X''': ±1'		NAME: TYPE-C 16P 防水母座 直立式 DIP 四脚插 H=7.10 1PX7 编带	
APPD.	JM_Zheng	PJ. NO.: 126-225-160002-N6G		SIZE: A4 DRW NO.:	
CHKD.	LYX	FINISH: SEE NOTES MAT'L.: SEE NOTES		SCALE: N/A REV.: A0 UNIT: mm PAGE: 2/2	
PDWG.NO:	0514-1	DR.	TSP		