



REV.	ECN NO	CONTENT	DATE	ENGINEER
A0		Initial release	/	GZY

NOTES:

SPECIFICATION:

1. CURRENT RATING: 3.0A MAX
2. VOLTAGE: 100 VAC
3. TEMPERATURE RANGE: -30° C~+85° C
4. CONTACT RESISTANCE: 40 MILLION HM MAX
5. INSULATION RESISTANCE: 100 MEG OHMS MIN
6. LNSERTION FORCE: 5N~20N
7. UNMATING FORCE: 8N-20N
8. DURABILITY: 10000 CYCLES
9. WATER PROOFNESS: THIS PRODUCT IS BASED ON IPX8.

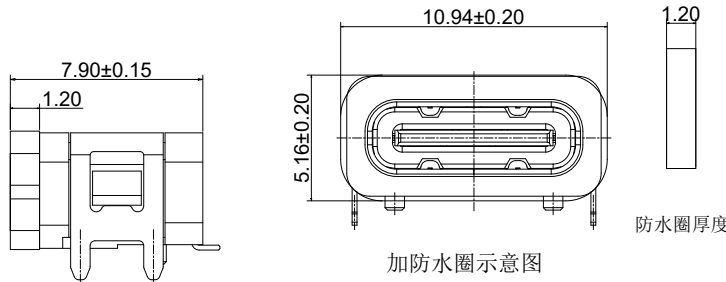
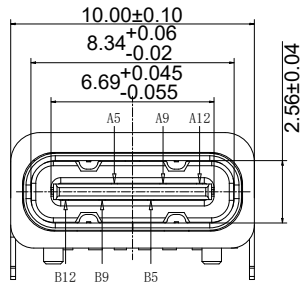
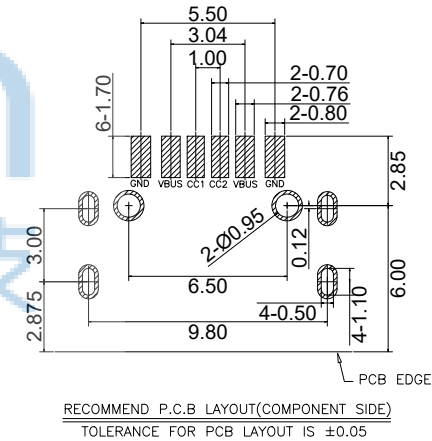
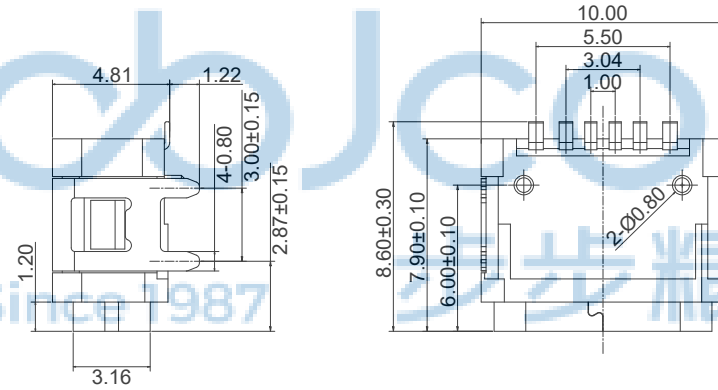
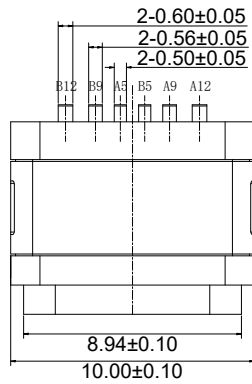
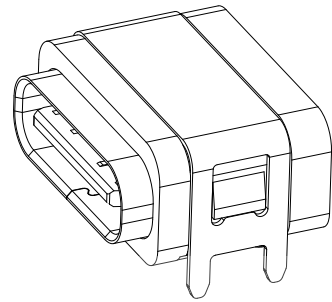
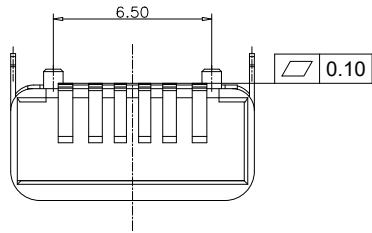


TABLE:

NO	PART	Q'TY	Material
1	SHELL	1	SUS304-1/2H, T=0.3mm, NI PLATED
2	CONTACT	6	C2680-EH, T=0.20mm, TIN/Au/NI PLATED
3	MID PLATE	1	SUS301-3/4H, NO PLATING
4	MD HOUSING	1	LCP/PA9T BLACK UL94 V-0
5	SHIELDING PLATE	1	SUS304-3/4H, T=0.20mm; NI PLATED



USB TYPE-C PIN ASSIGNMENTS

PIN NUMBER	A1	A2	A3	A4	A5	A6	A7	A8	A9	A10	A11	A12
SIGNAL NAME					CC1				Vbus			GND
PIN NUMBER	B12	B11	B10	B9	B8	B7	B6	B5	B4	B3	B2	B1
SIGNAL NAME	GND			Vbus				CC2				

THIS DOCUMENT IS THE SOLE PROPERTY OF BBJconn Technology Co., Ltd. Corporation AND SHOULD NOT BE USED IN WHOLE OR IN PART WITHOUT PRIOR WRITTEN PERMISSION.

PDWG.NO: 0366-2

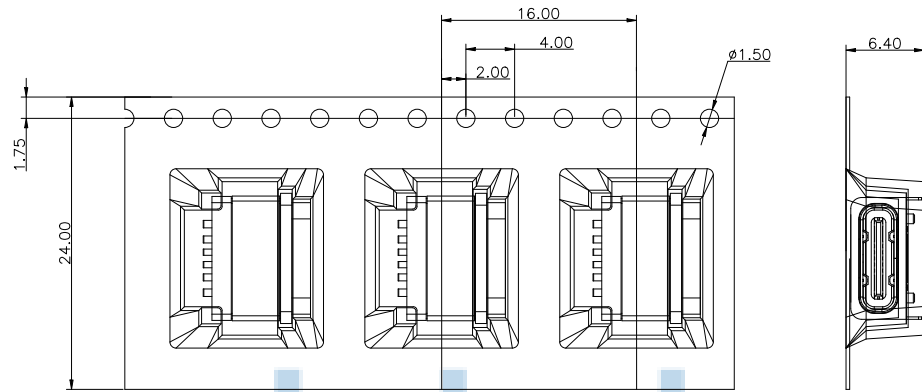
APPD. JM_Zheng
CHKD. LYX
DR. GZY

NAME: TYPE-C 6P 防水母座 板上型 外壳四脚DIP 端子SMT L=7.90 带柱 不锈钢外壳 LCP黑胶 IPX7 方型防水圈 绑带

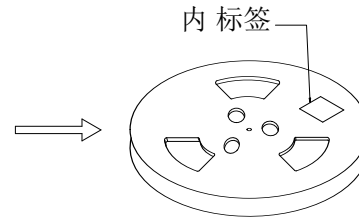
PJ. NO.: 126-221-060003-N5G
SIZE: A4 DRW NO.:
FINISH: SEE NOTES MAT'L.: SEE NOTES
SCALE: N/A REV.: A0 UNIT: mm PAGE: 1/2

深圳市步步精科技有限公司

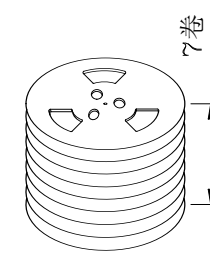
REV.	ECN NO.	CONTENT	DATE	ENGINEER
A0		Initial release	/	GZY



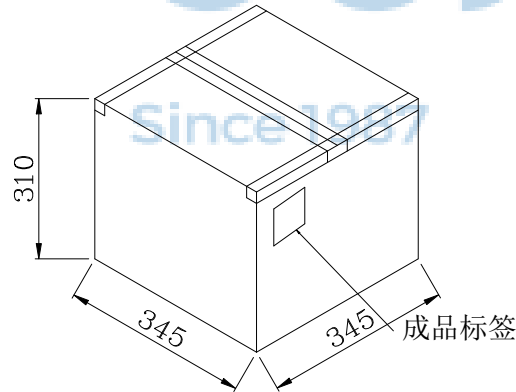
① 产品入载带示意图



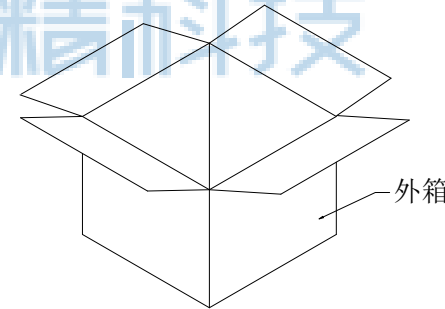
② 卷盘贴标签示意图



③ 7盘产品叠层示意图



⑤ 外箱封箱示意图



④ 产品入外箱示意图

	REEL	CARTON
CONNECTOR (PCS)	700	4900

包装说明:

1. 将检验好的成品;对插口朝前放入载带;每卷装700PCS产品;具体如图一所示
2. 将包装好的产品;每盘必需贴上内标签;具体如图二所示
3. 将贴好内标签的产品每7盘叠;具体如图三所示
5. 装好后并封好纸箱及贴好相关标签;具体如图五所示;
(产品包装的标签,如客户有要求,请按客户要求包装出货)
6. 载带前面留16PCS空格,后面留16PCS空格
7. COVER与CARRY剥离力:50-125g,速度:300mm/分钟左右,剥离角度:165°-180°

THIS DOCUMENT IS THE SOLE PROPERTY OF BBJconn Technology Co., Ltd. Corporation AND SHOULD NOT BE USED IN WHOLE OR IN PART WITHOUT PRIOR WRITTEN PERMISSION. PDWG.NO: 0366-2		深圳市步步精科技有限公司	
.X: ±0.38 .XX: ±0.25 .XXX: ±0.13		X': ±3" X'': ±2" X'': ±1"	
APPD. JM_Zheng		NAME: TYPE-C 6P 防水母座 板上型 外壳四脚DIP 端子SMT L=7.90 带柱 不锈钢外壳 LCP黑胶 IPX7 方型防水圈 编带	
CHKD. LYX		P.J. NO.: 126-221-060003-N5G	
DR. GZY		SIZE: A4 DRW NO.:	
		FINISH: SEE NOTES MAT'L.: SEE NOTES	
		SCALE: N/A REV.: A0 UNIT: mm PAGE: 2/2	