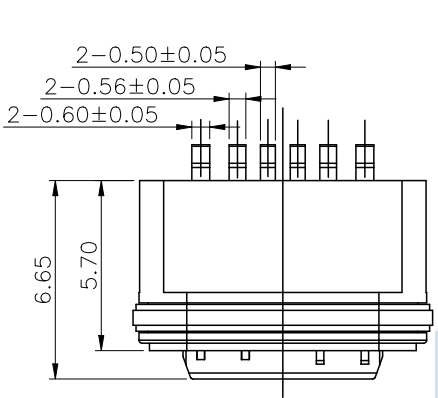
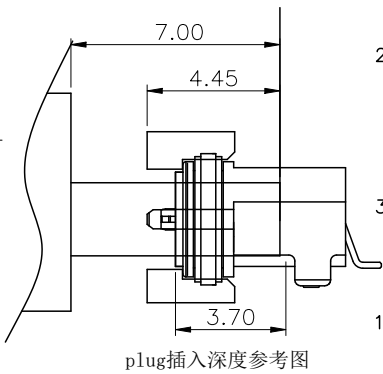
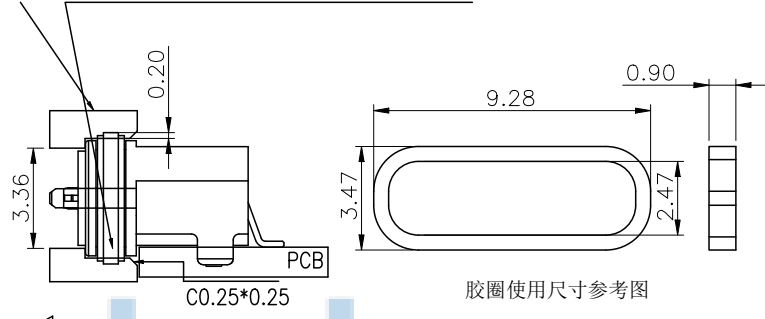


Note:
 1.Material:
 1.1 Housing: LCP
 1.2 Contact:C2680,T=0.20mm
 1.3 Shell: SUS316
 2.ELECTRICAL:
 2-1:CURRENT RATING:
 VBUS AND GND CONTACTS RATED AT 1.25A
 PARALLELED FOR A TOTAL OF 3A;
 2-2:INITIAL CONTACT RESISTANCE :40 MEGOHMS
 2-3:DIELECTRIC WITHSTANDING VOLTAGE:
 100V AC MIN;
 3:MECHANICAL CHARACTERISTICS:
 3-1:MATING FORCE:5~20N
 3-2:UNMATING FORCE:8~20N(INITIAL),
 6~20N(AFTER 10000 CYCLES)
 3-3:FREQUENCY: 200±50 CYCLES /HOUR,
 10000 CYCLES
 3-4:OPERATING TEMPERATURE ;-40°~80°.



机壳与胶圈干涉建议单边0.15最小，胶圈尺寸跑上限。



← 装配方向
 组装示意图

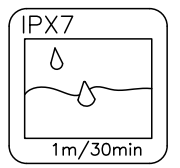
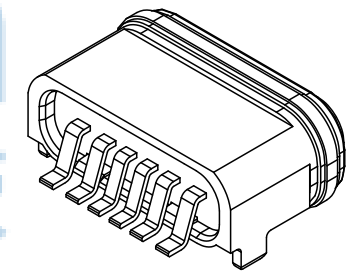
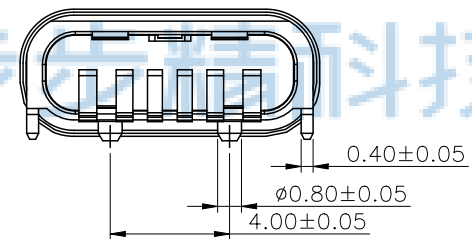
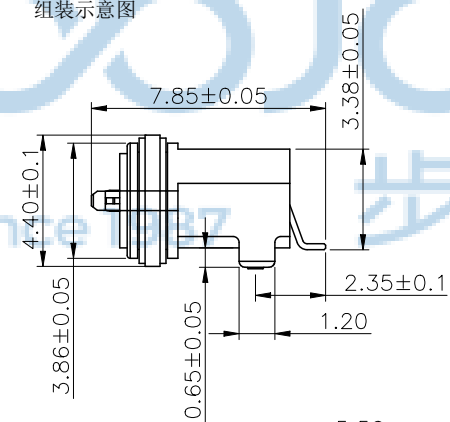
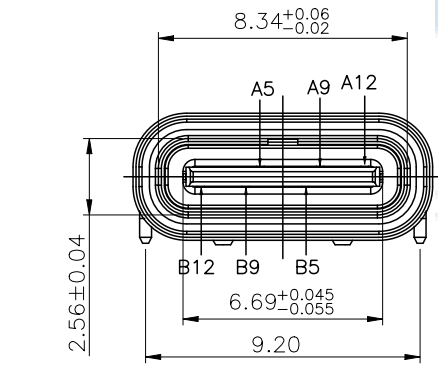
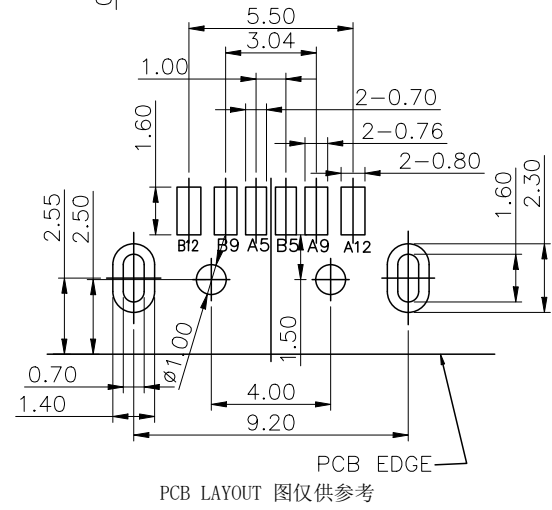


TABLE B

A5	CC1	B12	GND
A9	VBUS	B9	VBUS
A12	GND	B5	CC2
PIN	SIGNAL NAME	PIN	SIGNAL NAME



THIS DOCUMENT IS THE SOLE PROPERTY OF BBJconn Technology Co.,Ltd. Corporation AND SHOULD NOT BE USED IN WHOLE PRIOR WRITTEN PERMISSION.

PDWG NO: 0366-2

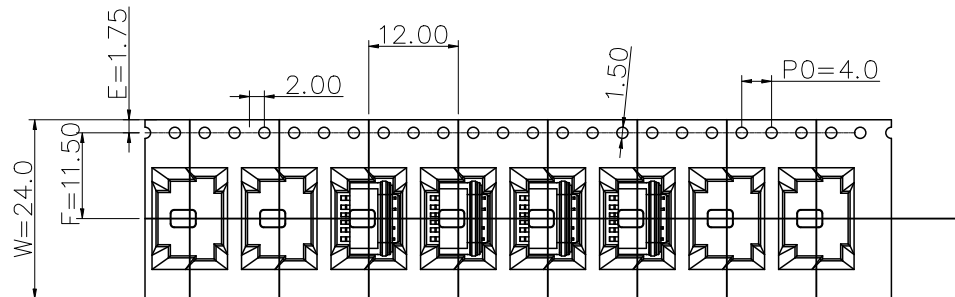
深圳市步步精科技有限公司

APPD: JM_Zheng
 CHKD: LYX
 DR: SGF

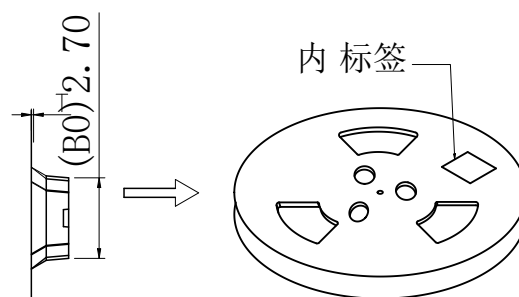
NAME: TYPE-C 6P 防水母座 板上后两脚插 端子SMT 带柱 舌片 外漏0.95 L=5.7 CH=1.64 粉末冶金 LCP黑胶 IPX7 编带

PJ NO: 126-221-060005-N5G
 SIZE:A4 DRW NO:
 FINISH:SEE NOTES MAT'L:SEE NOTES
 SCALE:N/A REV:A0 UNIT:mm PAGE:1/2

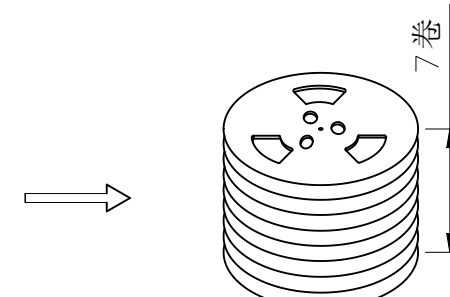
REV	ECN NO	CONTENT	DATE	ENGINEER
AO		INITIAL RELEASE	/	SGF



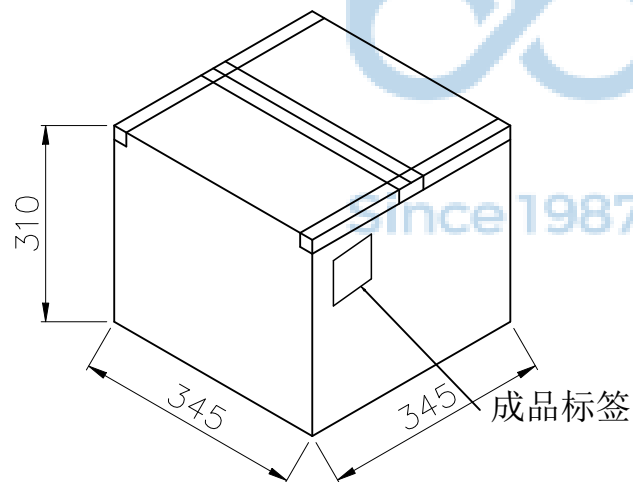
① 产品入载带示意图



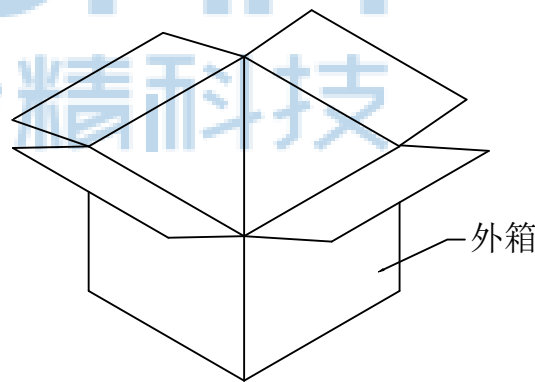
② 卷盘贴标签示意图



③ 7盘产品叠层示意图



⑤ 外箱封箱示意图



④ 产品入外箱示意图



包装说明:

1. 将检验好的成品;对插口朝前放入载带;每卷装1000PCS产品;具体如图一所示
2. 将包装好的产品;每盘必需贴上内标签;具体如图二所示
3. 将贴好内标签的产品每7盘叠;具体如图三所示
5. 装好后并封好纸箱及贴好相关标签;具体如图五所示;
(产品包装的标签,如客户有要求,请按客户要求包装出货)
6. 载带前面留13PCS空格,后面留13PCS空格
7. COVER与CARRY剥离力:50-125g,速度:300mm/分钟左右,剥离角度:165°-180°



	REEL	CARTON
CONNECTOR (PCS)	1000	7000

THIS DOCUMENT IS THE SOLE PROPERTY OF BBJconn Technology Co.,Ltd. Corporation AND SHOULD NOT BE USED IN WHOLE PRIOR WRITTEN PERMISSION.		深圳市步步精科技有限公司 .X: ±0.38 .XX: ±0.25 .XXX: ±0.13 X': ±3' .X': ±2' .XX': ±1'		NAME: TYPE-C 6P 防水母座 板上后两脚插 端子SMT 带柱 舌片 外漏0.95 L=5.7 CH=1.64 粉末冶金 LCP黑胶 IPX7 编带 PJ NO: 126-221-060005-N5G SIZE:A4 DRW NO:	
APPD	JM_Zheng			FINISH:SEE NOTES MAT'L:SEE NOTES	
CHKD	LYX	SCALE:N/A		REV:AO	UNIT:mm
PDWG NO: 0366-2	DR	SGF	PAGE:2/2		