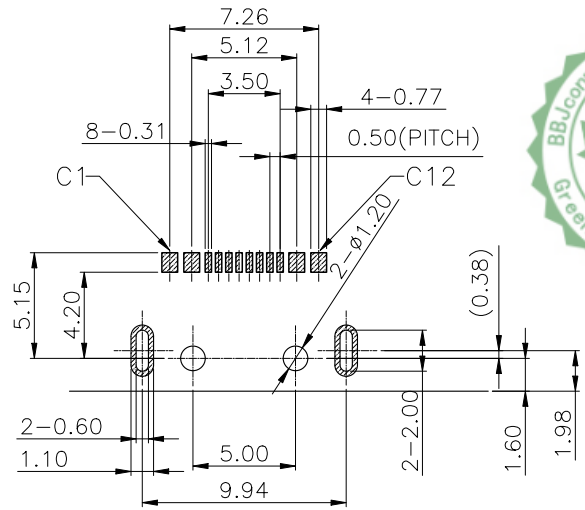
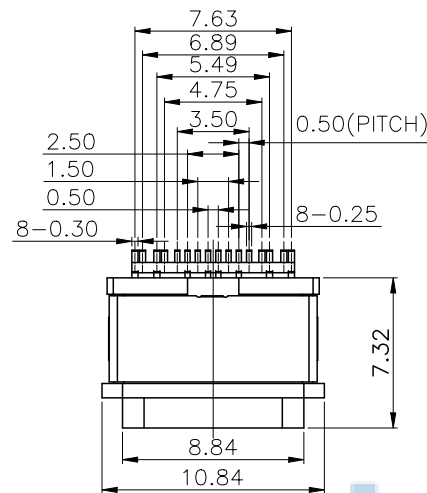


REV	ECN NO	CONTENT	DATE	ENGINEER
A0		INITIAL RELEASE	/	SGF

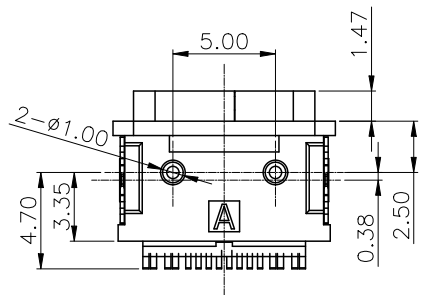
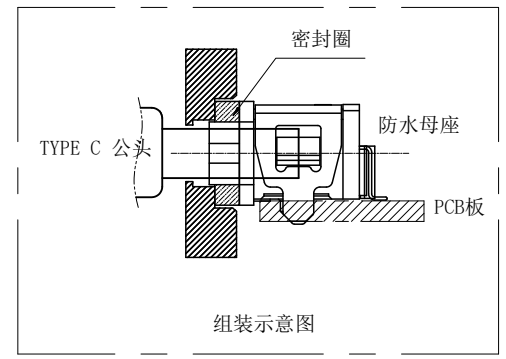
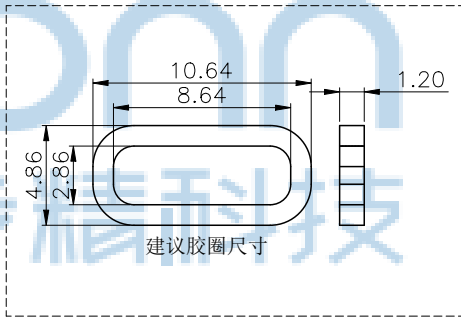
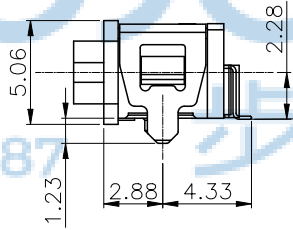
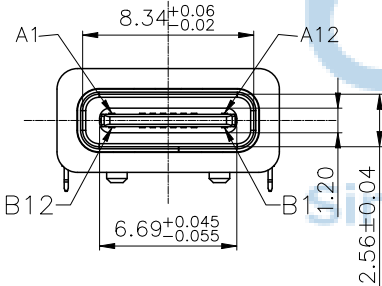


1. ELECTRICAL :
- 1-1.CURRENT RATING :5A
 - 1-2.INSULATION RESISTANCE :
100 MEGAOHMS MIN. AT 250VDC.
 - 1-3.DIELECTRIC WITHSTANDING VOLTAGE :
100VAC
 - 1-4.LOW LEVEL CONTACT RESISTANCE :
INITIAL 40mΩ MAX.
AFTER 50mΩ MAX.
- 2.MECHANICAL CHARACTERISTICS :
- 2-1. MATING FORCE: 5~20N.;
 - 2-2. UNMATING FORCE: 8~20N(INITIAL),6~20N
 - 2-3.DURABILITY : 10,000 MATING CYCLES.
 - 2-4.OPERATING TEMPERATURE :-40°C TO +80°C



RECOMMENDED PCB LAYOUT(TOP VIEW)

THICKNESS T=1.0mm
DEFAULT TOLERANCE+0.05



⑥	Shell-2	1	Stainless steel	NI PLATING;	T=0.20mm
⑤	Shell-1	1	Stainless steel	NI PLATING;	T=0.25mm
④	MID PLATE	1	Stainless steel		T=0.15mm
③	Terminal-B	8	Copper nickel	Au:3u" PLATING;	T=0.15mm
②	Terminal-A	8	silicon alloy	Au:3u" PLATING;	T=0.15mm
①	Housing	1	HIGH TEMP	Black	

THIS DOCUMENT IS THE
SOLE PROPERTY OF
BBJconn Technology Co.,Ltd.
Corporation AND SHOULD
NOT BE USED IN WHOLE
PRIOR WRITTEN PERMISSION.
PDWG NO: 0388-1

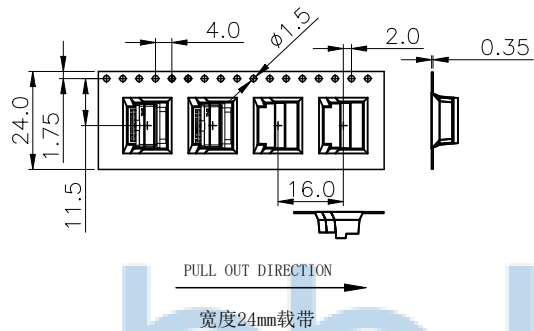
深圳市步步精科技有限公司	
NAME: TYPE-C 16P 防水母座 两脚插 带中夹片 端子SMT 带柱 L=7.32 方型防水圈 IPX8 编带	
APPD: JM_Zheng	PJ NO: 126-221-160003-S5G
CHKD: LYX	SIZE:A4 DRW NO:
DR: SGF	FINISH:SEE NOTES MAT'L:SEE NOTES
	SCALE:N/A REV:A0 UNIT:mm PAGE:1/2

A1	A2	A3	A4	A5	A6	A7	A8	A9	A10	A11	A12
GND			VBUS	CC1	DP1	DN1	SBU1	VBUS			GND
GND			VBUS	SBU2	DN2	DP2	CC2	VBUS			GND
B12	B11	B10	B9	B8	B7	B6	B5	B4	B3	B2	B1

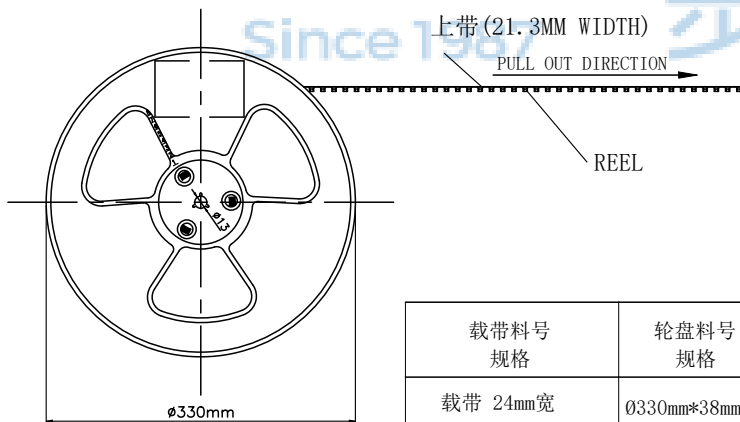


REV	ECN NO	CONTENT	DATE	ENGINEER
AO		INITIAL RELEASE	/	SGF

- 一.
- 1) 将成品一一放入REEL包装盘内, 依同一方向放入.
 - 2) 包装时, 如图所示.
 - 3) 一个REEL包装盘放置 700 个成品.

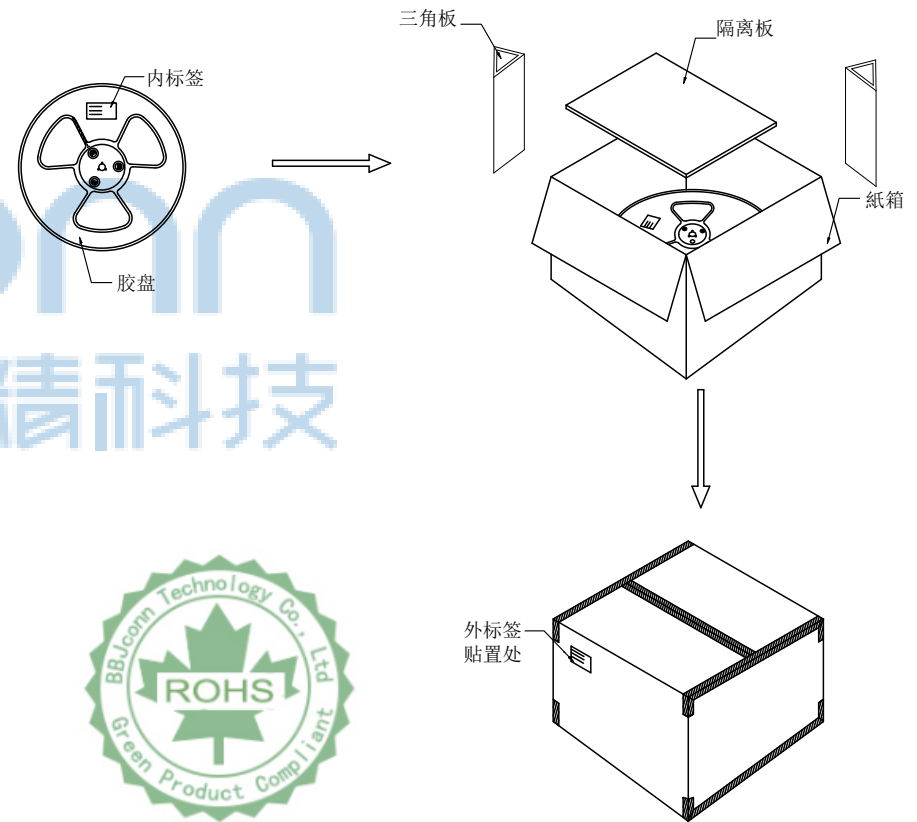


- 二.
- 1) 装盘前先把前面空16PCS, 然后再开始装盘, 尾端也需空出16PCS.
 - 2) 装满成品的REEL包装盘如下图所示.



载带料号规格	轮盘料号规格	冷封上带料号规格
载带 24mm宽	Ø330mm*38mm	21.3mm width

- 三.
- 1) 每盘产品贴一张内标签.
 - 2) 纸箱上下各放一块隔离板, 将每盘产品依次放入箱内, 每箱放10盘产品 (7000PCS), 四周用三角板固定. 最后用透明胶纸将纸箱四周封实, 箱外贴上外标签.



THIS DOCUMENT IS THE SOLE PROPERTY OF BBJconn Technology Co.,Ltd. Corporation AND SHOULD NOT BE USED IN WHOLE PRIOR WRITTEN PERMISSION.		深圳市步步精科技有限公司 .X: ±0.38 X': ±3' .XX: ±0.25 X'': ±2' .XXX: ±0.13 .XX': ±1'		NAME: TYPE-C 16P 防水母座 两脚插 带中夹片 端子SMT 带柱 L=7.32 方型防水圈 IPX8 编带	
APPD	JM_Zheng	PJ NO: 126-221-160003-S5G SIZE:A4 DRW NO:	FINISH:SEE NOTES MAT'L:SEE NOTES		
CHKD	LYX		SCALE:N/A	REV:AO	UNIT:mm PAGE:2/2
PDWG NO: 0388-1	DR	SGF			