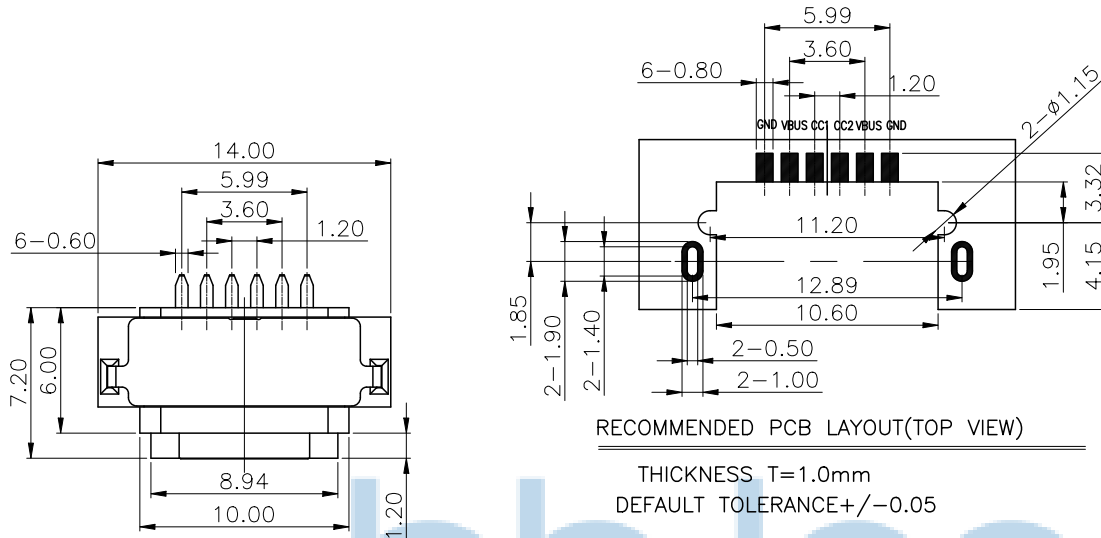


REV	ECN NO	CONTENT	DATE	ENGINEER
A0		INITIAL RELEASE	/	SGF

NOTES:

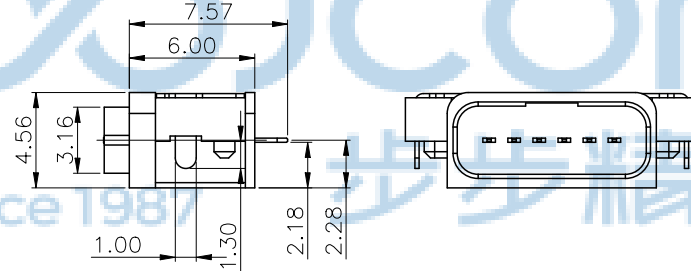
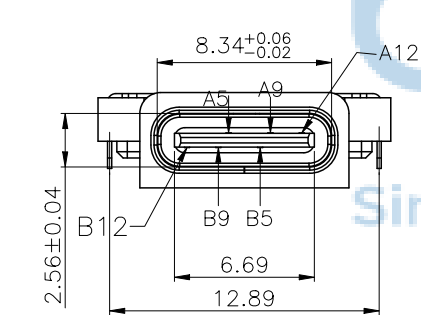
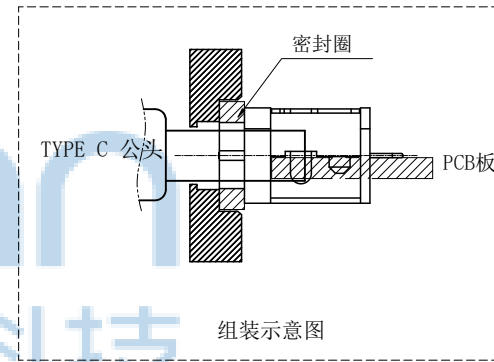
SPECIFICATION:

- CURRENT RATING: 3.0A MAX
- DIELECTRIC WITHSTAND VOLTAGE: 100VAC
- TEMPERATURE RANGE: -30 °C ~ 85 °C
- CONTACT RESISTANCE: 40 MILLIONHM MAX
- INSULATION RESISTANCE: 100 MEGOHMS MIN.
- INSERTION FORCE : 5N~20N
- UNMATING FORCE: 8N~20N
- DURABILITY:5000 CYCLES



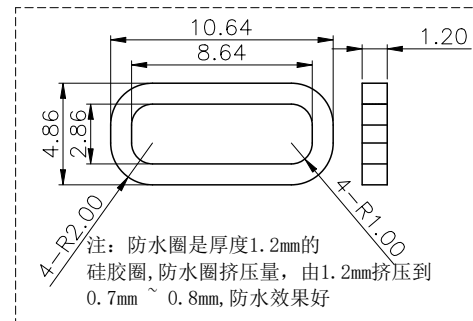
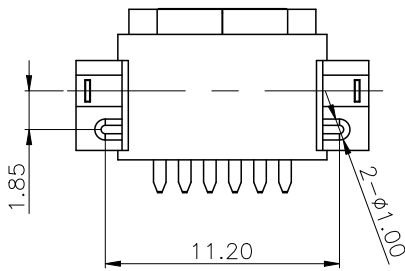
RECOMMENDED PCB LAYOUT(TOP VIEW)

THICKNESS T=1.0mm  
DEFAULT TOLERANCE+/-0.05



A5	CC1	B12	GND
A9	VBUS	B9	VBUS
A12	GND	B5	CC2
PIN	SIGNAL NAME	PIN	SIGNAL NAME

5	Shell2	1	SUS304 Ni Plating T=0.20mm	Ni:40~120u";
4	Shell1	1	SUS304 Ni Plating T=0.3mm	Ni:40~120u";
3	Housing2	1	LCP(G.F30%)	
2	Contact	4	Phosphor bronze C5210R-EH Au/Ni Plating T=0.20mm	Ni:40~160u"; Au:CONTACT AREA:3u", OTHER AREA:G/F
1	Housing	1	PA9T (G.F30%)	
ITEM	PARTNAME	Q'TY	FINISH	NOTE



THIS DOCUMENT IS THE SOLE PROPERTY OF BBJconn Technology Co.,Ltd. Corporation AND SHOULD NOT BE USED IN WHOLE PRIOR WRITTEN PERMISSION.

PDWG NO: 0388-1

**深圳市步步精科技有限公司**

NAME: TYPE-C 6P 防水母座 沉板2.18 两脚插带 柱 端子SMT L=7.2 方型防水圈 IPX8 编带

APPD: JM\_Zheng  
CHKD: LYX  
DR: SGF

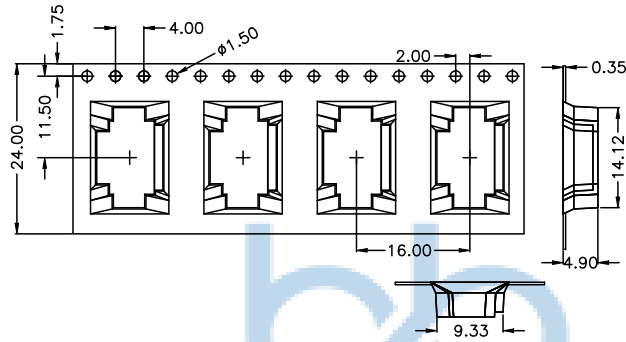
PJ NO: 126-221-060003-S5G  
SIZE:A4  
FINISH:SEE NOTES  
SCALE:N/A

MAT'L:SEE NOTES  
DRW NO:  
REV:AO  
UNIT:mm  
PAGE:1/2

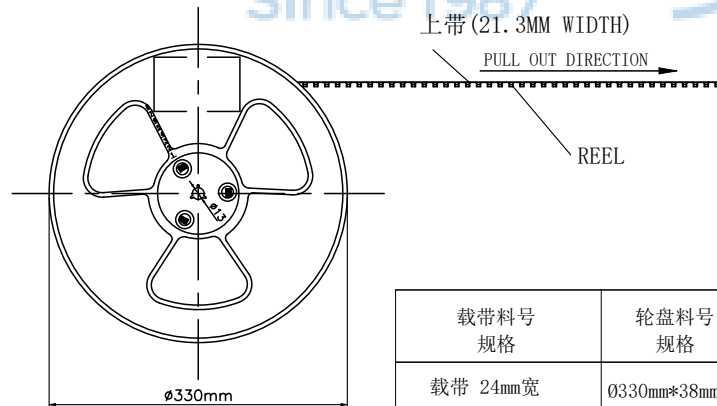
REV	ECN NO	CONTENT	DATE	ENGINEER
AO		INITIAL RELEASE	/	SGF



- 一.
- 1) 将成品一一放入REEL包装盘内, 依同一方向放入.
  - 2) 包装时, 如图所示.
  - 3) 一个REEL包装盘放置 800 个成品.

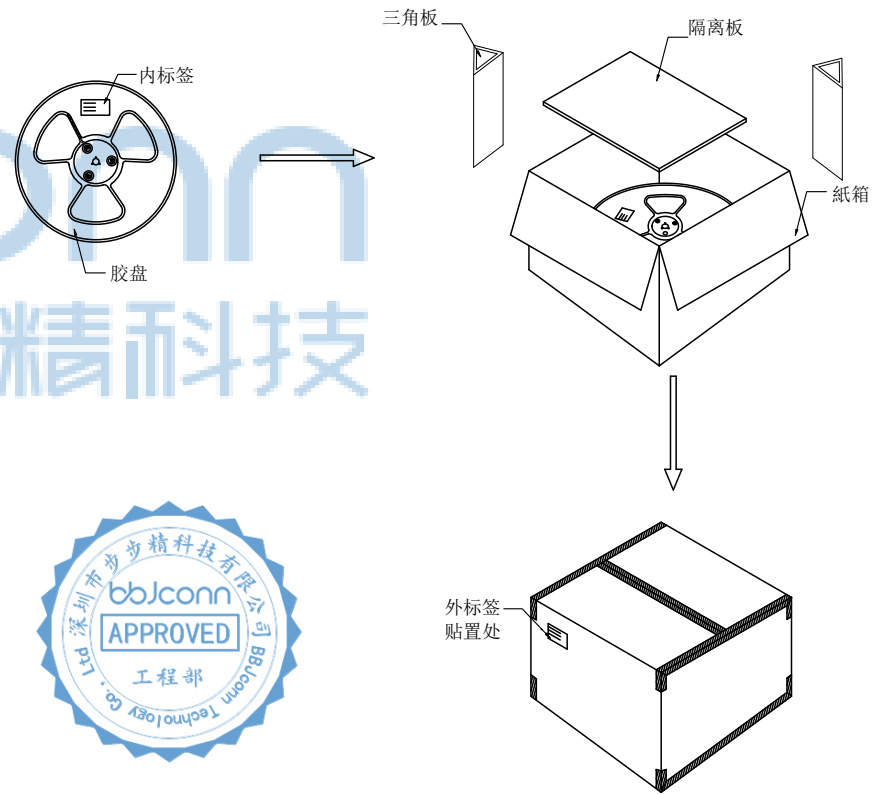


- 二.
- 1) 装盘前先把前面空17PCS, 然后再开始装盘, 尾端也需空出17PCS.
  - 2) 装满成品的REEL包装盘如下图所示.



载带料号规格	轮盘料号规格	冷封上带料号规格
载带 24mm宽	Ø330mm*38mm	21.3mm width

- 三.
- 1) 每盘产品贴一张内标签.
  - 2) 纸箱上下各放一块隔离板, 将每盘产品依次放入箱内, 每箱放10盘产品(8000PCS), 四周用三角板固定. 最后用透明胶纸将纸箱四周封实, 箱外贴上外标签.



THIS DOCUMENT IS THE  
SOLE PROPERTY OF  
BBJconn Technology Co.,Ltd.  
Corporation AND SHOULD  
NOT BE USED IN WHOLE  
PRIOR WRITTEN PERMISSION.  
PDWG NO: 0388-1

深圳市步步精科技有限公司		
.X: ±0.38 .XX: ±0.25 .XXX: ±0.13	X': ±3" X": ±2" XX': ±1"	NAME: TYPE-C 6P 防水母座 沉板2.18 两脚插带 柱 端子SMT L=7.2 方型防水圈 IPX8 编带
APPD	JM_Zheng	PJ NO: 126-221-060003-S5G
CHKD	LYX	SIZE:A4   DRW NO:
DR	SGF	FINISH:SEE NOTES   MAT'L:SEE NOTES SCALE:N/A   REV:A0   UNIT:mm   PAGE:2/2