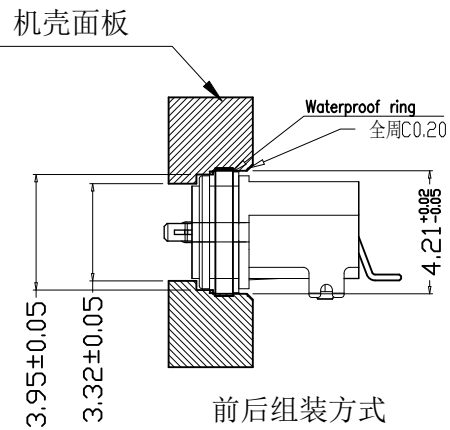
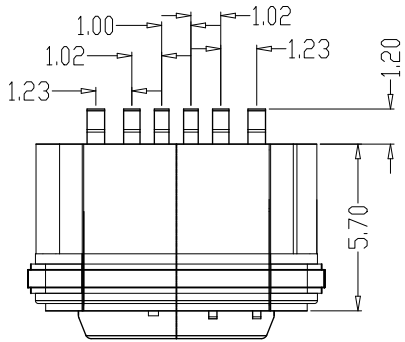
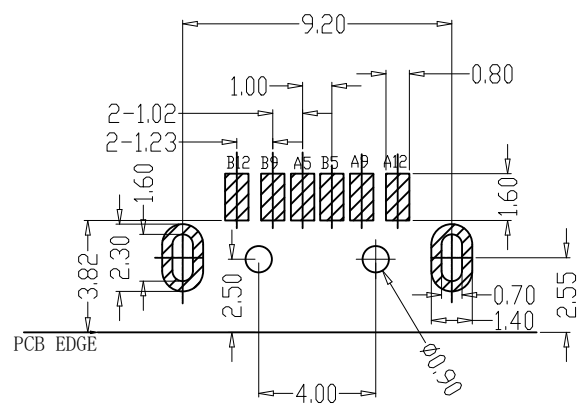
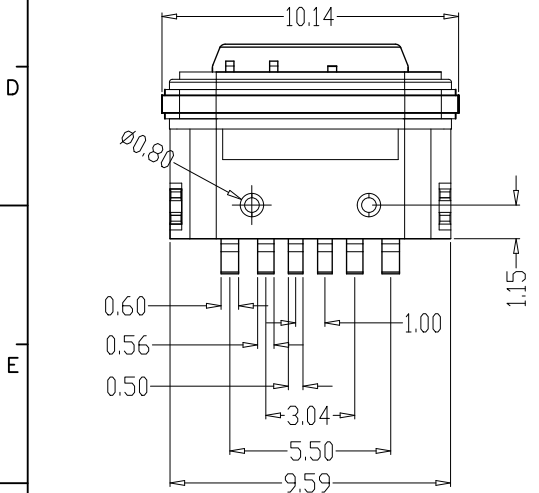
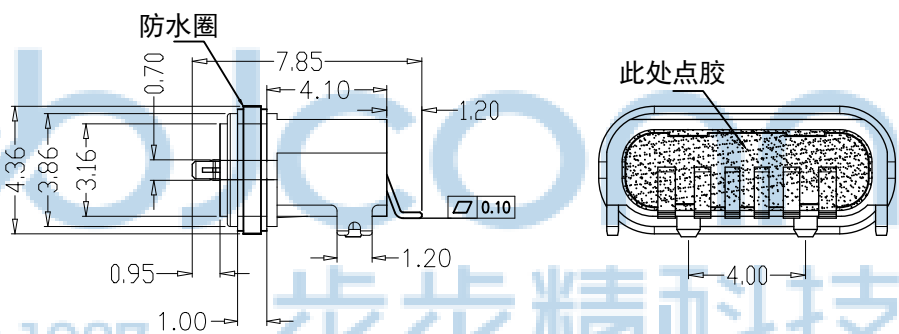
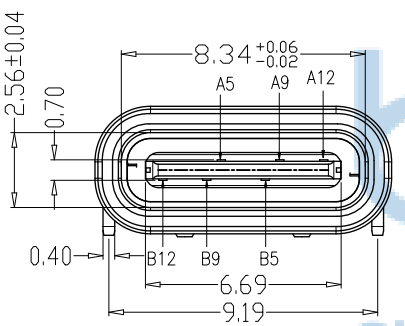


REV.	ECN NO.	CONTENT	DATE	ENGINEER
A0		Initial release	/	SGF



- 1.Material:
 InsertMolding:LCP UL 94V-0 Black
 Contact:C2680 T=0.20mm 镍底 50U 半金雾锡 1U”
 Shell: Zinc Alloy.表面镀镍100U”
 Waterproof ring:red silicone
- 2.ELECTRICAL:
 2-1:CURRENT RATING:
 VBUS AND GND CONTACTS RATED AT 5A
 PARALLELED FOR A TOTAL OF 5A;
 2-2:INITIAL CONTACT RESISTANCE :40 MILLIOHMS MAX
 2-3:DIELECTRIC WITHSTANDING VOLTAGE:
 100V AC ;
- 3:MECHANICAL CHARACTERISTICS:
 3-1:MATING FORCE:5~20N
 3-2:UNMATING FORCE:8~20N(INITIAL),
 6~20N(AFTER 10000 CYCLES)
 3-3:FREQUENCE: 200±50 CYCLES /HOUR,10000 CYCLES
 3-4:OPERATING TEMPERATURE ;-40°~80°.
- 4: WATERPROOF: IP-X8.



RECOMMENDED P.C.B. LAYOUT
 TOLERANCE UNSPECIFIED ±0.05mm



B12	GND
B9	VBUS
B5	CC2
A5	CC1
A9	VBUS
A12	GND
PIN	SIGNAL NAME

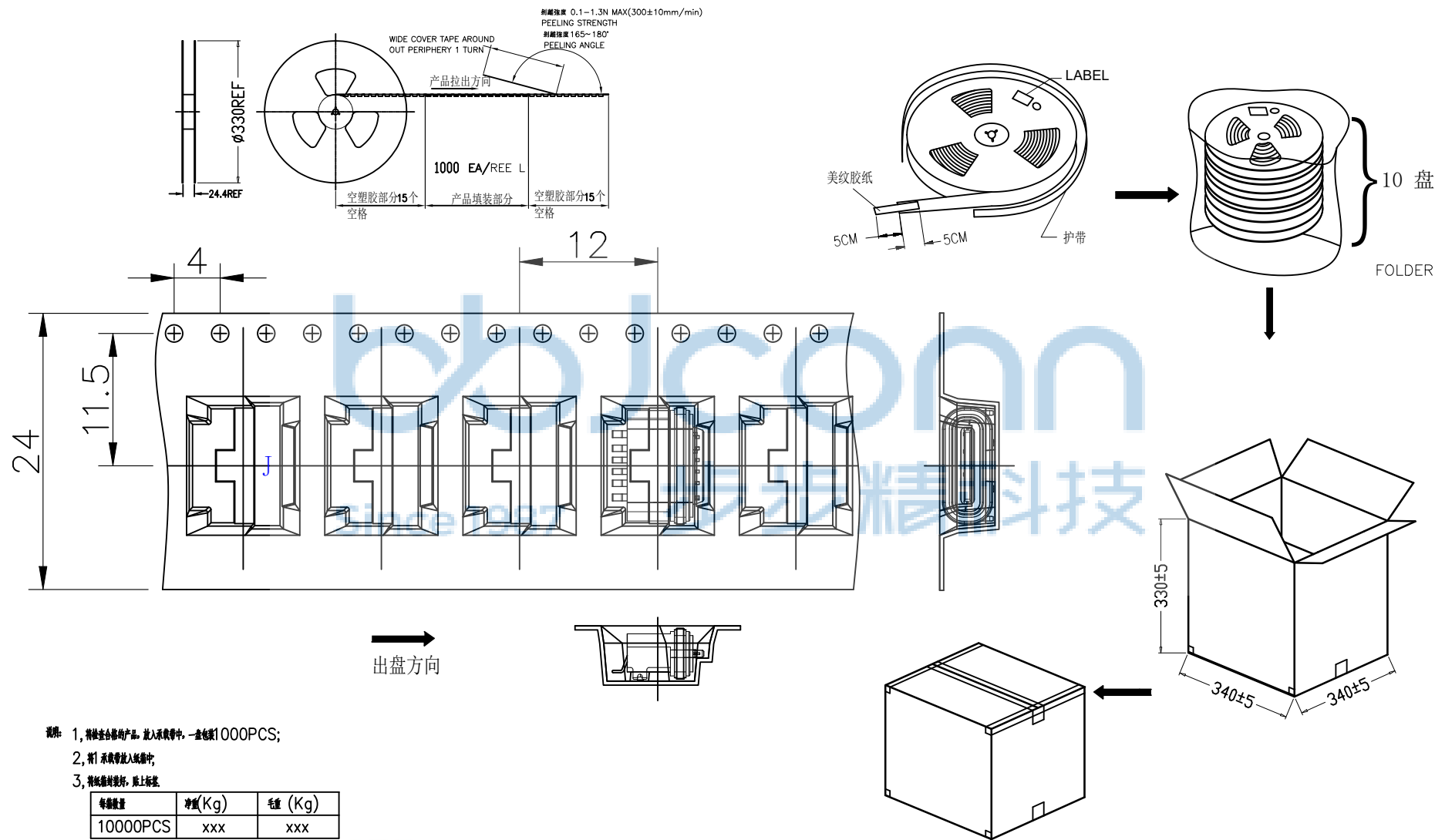
4	防水圈	硅胶	红色	1PCS
3	SHELL	Zinc Alloy.		1PCS
2	CONTACT	BRASS	Au Plated	1SET
1	MD	HIGH TEMPERATURE PLASTIC	BLACK	1PCS
NO.	DESCRIPTION	MATERIAL	REMARKS	QTY

THIS DOCUMENT IS THE SOLE PROPERTY OF **深圳市步步精科技有限公司**
 BBJconn Technology Co.,Ltd.
 Corporation AND SHOULD NOT BE USED IN WHOLE OR IN PART WITHOUT PRIOR WRITTEN PERMISSION.
 PDWG.NO: 0508-1

NAME: TYPE-C 6P 防水母座 90度 外壳两脚插 端子SMT 舌片外露0.95 带柱 L=5.7 锌合金外壳 带中夹片 红色防水圈 IPX8 编带

APPD: JM_Zheng
 CHKD: LYX
 DR: SGF

PJ. NO.: 126-221-060004-J8G
 SIZE: A4 DRW NO.:
 FINISH: SEE NOTES MAT'L.: SEE NOTES
 SCALE: N/A REV.: A0 UNIT: mm PAGE: 1/2



- 说明: 1, 将按组合好的产品, 放入纸袋中, 一包包装1000PCS;
2, 将1 纸袋放入纸盒中;
3, 将纸盒封好, 贴上标签

每箱数量	净重(Kg)	毛重(Kg)
10000PCS	xxx	xxx



THIS DOCUMENT IS THE SOLE PROPERTY OF BBJconn Technology Co., Ltd. Corporation AND SHOULD NOT BE USED IN WHOLE OR IN PART WITHOUT PRIOR WRITTEN PERMISSION.
PDWG.NO: 0508-1

深圳市步步精科技有限公司		NAME: TYPE-C 6P 防水母座 90度 外壳两脚插 端子SMT 舌片外露0.95 带柱 L=5.7 锌合金外壳 带中夹片 红色防水圈 IPX8 编带	
APPD.	JM_Zheng	PJ. NO.: 126-221-060004-J8G	
CHKD.	LYX	SIZE: A4 DRW NO.:	
DR.	SGF	FINISH: SEE NOTES	MAT'L: SEE NOTES
		SCALE: N/A	REV.: AO
		UNIT: mm	PAGE: 2/2