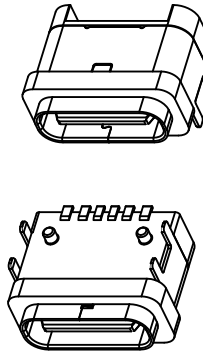
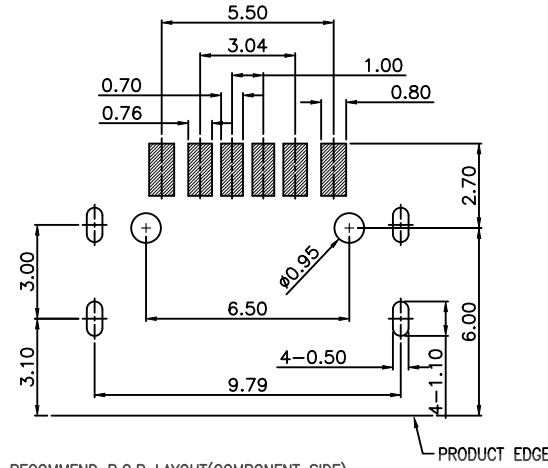
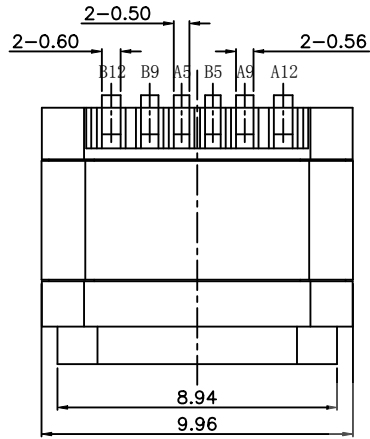
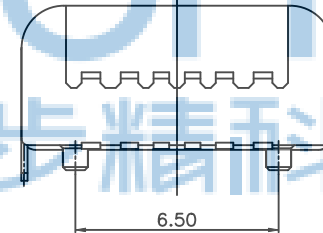
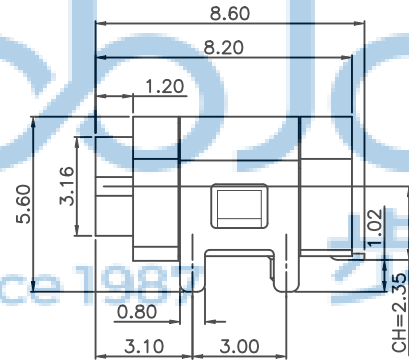
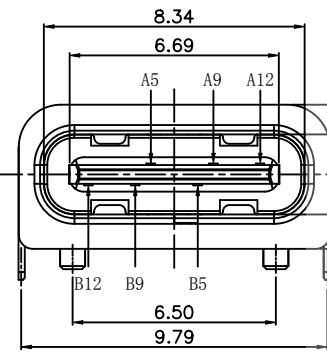


REV.	ECN NO	CONTENT	DATE	ENGINEER
A0			2023 20/04	



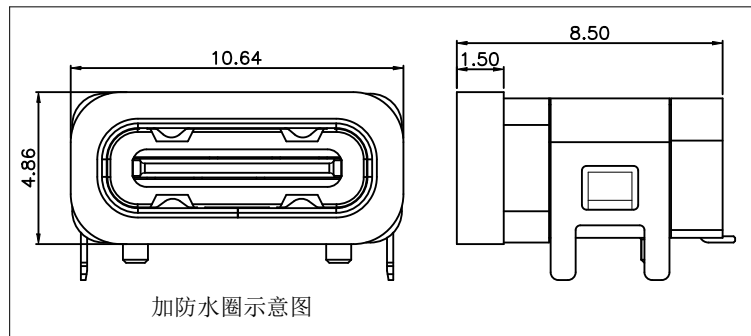
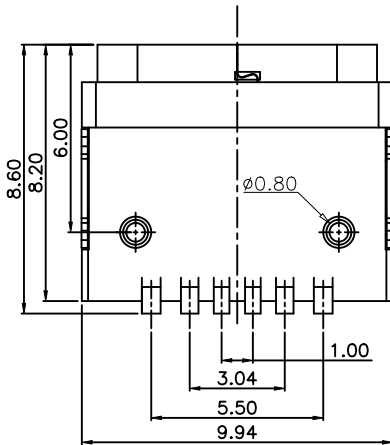
RECOMMEND P.C.B LAYOUT (COMPONENT SIDE)
TOLERANCE FOR PCB LAYOUT IS ±0.05



NOTES:

SPECIFICATION:

1. CURRENT RATING: 3.0A MAX
2. VOLTAGE: 100 VAC
3. TEMPERATURE RANGE: -30° C ~ +85° C
4. CONTACT RESISTANCE: 40 MILLIONHM MAX
5. INSULATION RESISTANCE: 100 MEGOHMS MIN
6. LNSERTION FORCE: 5N~20N
7. UNMATING FORCE: 8N~20N
8. DURABILITY: 10000 CYCLES
9. WATER PROOFNESS: THIS PRODUCT IS BASED ON IPX7.



A5	CC1	B12	GND
A9	VBUS	B9	VBUS
A12	GND	B5	CC2
PIN	SIGNAL NAME	PIN	SIGNAL NAME

黑胶 LCP-V0	SUS201 镀镍50u"	SUS201 T=0.15mm	LCP UL94 V0, BK	C2680-EH, T=0.2, 半金1u"
规格	外壳	中夹片	胶体	端子

THIS DOCUMENT IS THE SOLE PROPERTY OF BBJconn Technology Co., Ltd. Corporation AND SHOULD NOT BE USED IN WHOLE OR IN PART WITHOUT PRIOR WRITTEN PERMISSION.

深圳市步步精科技有限公司

NAME: TYPE-C 6P 防水母座 四脚插 带柱 L=8.20 CH=2.35 端子SMT IPX7 带防水圈(不点胶)

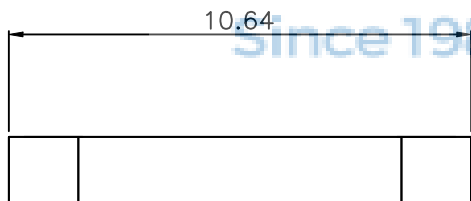
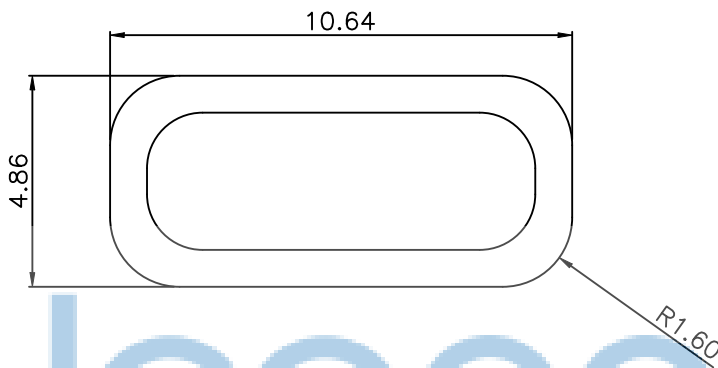
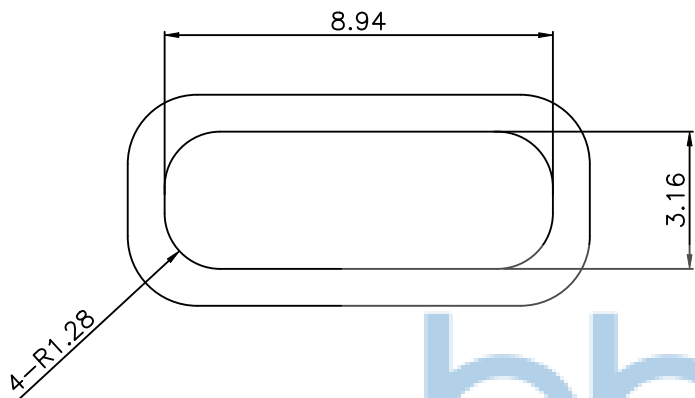
APPD.	JM_Zheng	23/05'02	PJ. NO.: UC.01.53-1W-0003			
CHKD.	TSP	23/05'02		SIZE: A4 DRW NO.:		
PDWG.NO:	0545-1	DR.	LYX	23/05'02	FINISH: SEE NOTES	MAT'L.: SEE NOTES

SCALE: N/A REV.: A0 UNIT: mm PAGE: 1/1

REV.	ECN NO	CONTENT	DATE	ENGINEER
A0			2023 20/04	

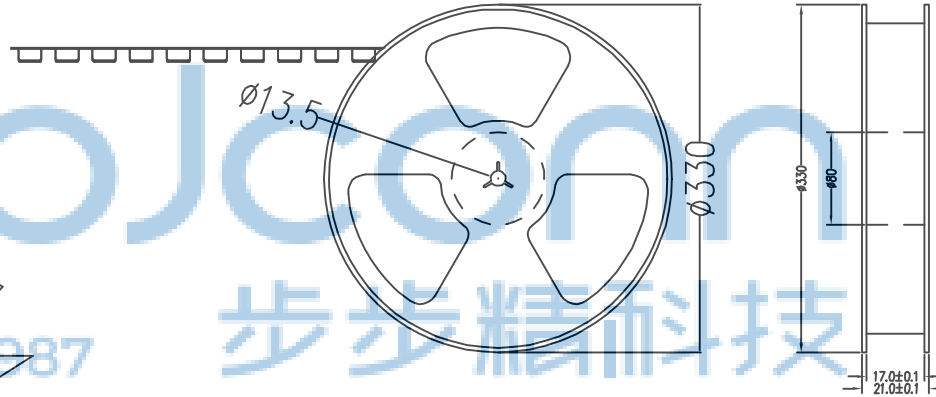
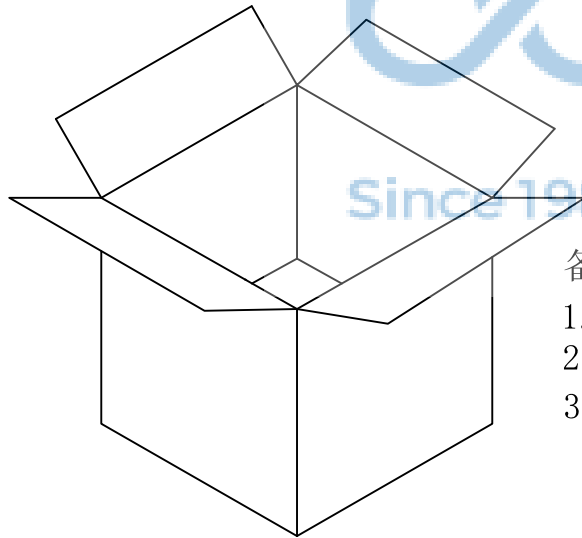
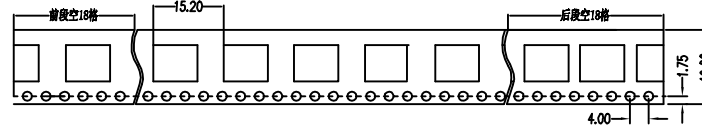
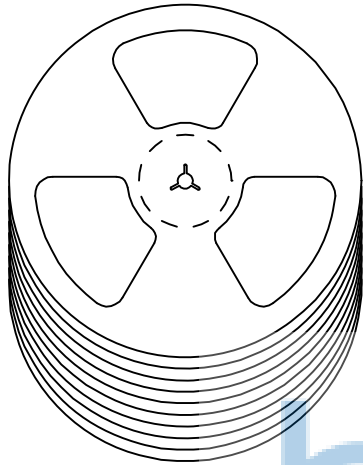
备注:

1. 材质硅橡胶, 防水密封用
2. 黑色材料
3. 材料符合RoHS和无卤要求



A5	CC1	B12	GND
A9	VBUS	B9	VBUS
A12	GND	B5	CC2
PIN	SIGNAL NAME	PIN	SIGNAL NAME

THIS DOCUMENT IS THE SOLE PROPERTY OF BBJconn Technology Co., Ltd. Corporation AND SHOULD NOT BE USED IN WHOLE OR IN PART WITHOUT PRIOR WRITTEN PERMISSION.		深圳市步步精科技有限公司 .X: ±0.38 .X': ±3' .XX: ±0.25 .X': ±2' .XXX: ±0.13 .XX': ±1'		NAME: TYPE-C 6P 防水母座 四脚插 带柱 L=8.20 Ch=2.35 端子SMT 1PX7 带防水圈(不点胶)	
APPD.	JM_Zheng	23/05'02	PJ. NO.: UC.01.53-1W-0003		SIZE: A4
CHKD.	TSP	23/05'02	FINISH: SEE NOTES MAT'L.: SEE NOTES		DRW NO.:
PDWG.NO:	0545-1	DR.	LYX	23/05'02	SCALE: N/A REV.: A0 UNIT: mm PAGE: 1/1



备注:

1. 包装数量: 700/PCS/卷, 10卷/箱。
2. 包装袋长度: 每卷前后各空10-20个空格, 中间包装。
3. 材质:
载体: 聚丙烯 (PS), 阻抗 $10^{6-9} \Omega$
上带: 聚乙烯 (PET), 阻抗 $10^{6-11} \Omega$
卷盘: 聚苯乙烯。

纸箱规格: 345*345*23MM
纸箱规格: 345*345*35MM

THIS DOCUMENT IS THE SOLE PROPERTY OF BBJconn Technology Co., Ltd Corporation AND SHOULD NOT BE USED IN WHOLE OR IN PART WITHOUT PRIOR WRITTEN PERMISSION. PDWG.NO: 0545-1	深圳市步步精科技有限公司		NAME:		
			TYPE-C 6P 防水母座 四脚插 带柱 L=8.20 Ch=2.35 端子SMT IPX7 带防水圈(不点胶)		
	APPD. JM_Zheng	23/05'02	PJ. NO.: UC.01.53-1W-0003 SIZE: A4 DRW NO.:	FINISH: SEE NOTES MAT'L.: SEE NOTES	
	CHKD. TSP	23/05'02		SCALE: N/A REV.: A0 UNIT: mm PAGE: 1/1	