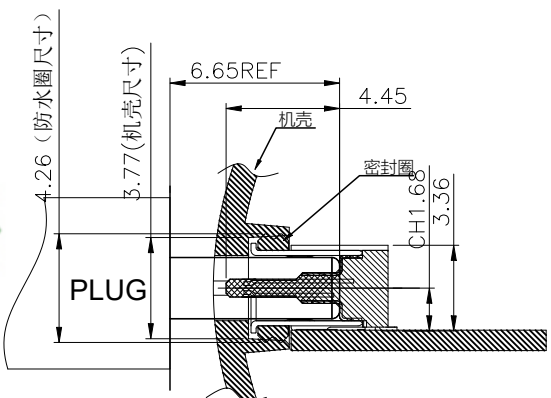
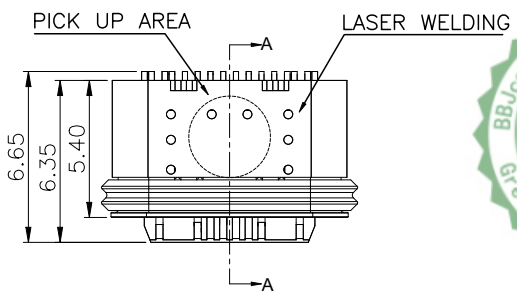


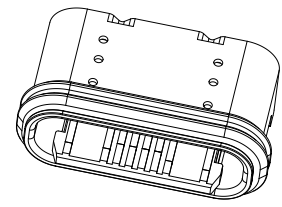
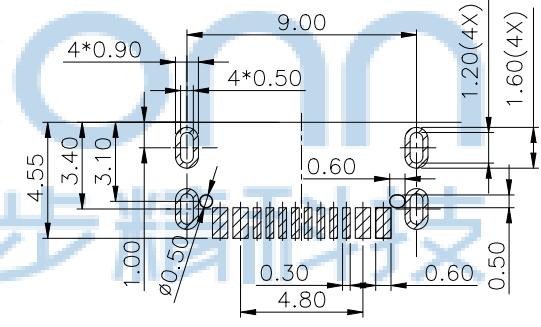
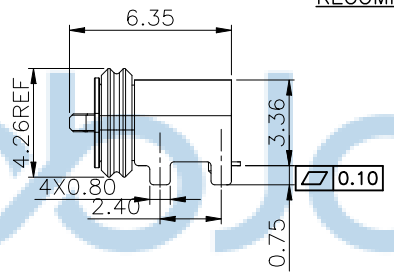
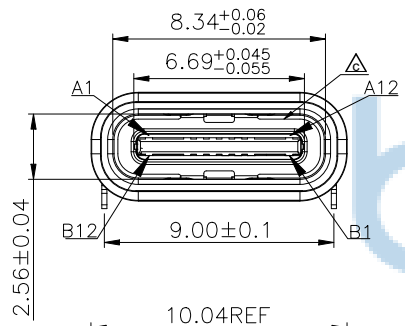


REV	ECN NO	CONTENT	DATE	ENGINEER
A0		INITIAL RELEASE	/	SGF

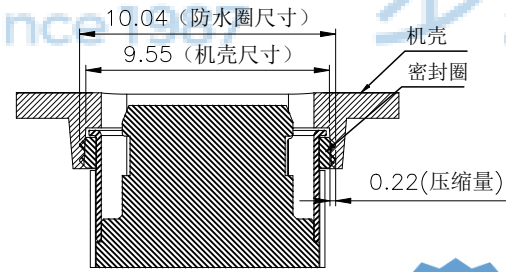
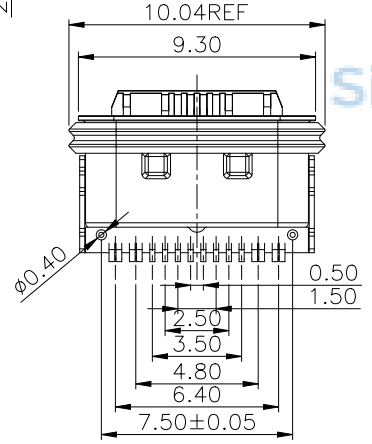
- SPECIFICATION:**
- CURRENT RATING: 5.0 A
 - VOLTAGE RATING: 5.0 V
 - VBUS & GND PINS AND OTHER PINS: 40mΩ/PIN MAX
SHIELD: 50mΩ/MAX
LLCR MAX. CHANGE OF ALL PINS: 10mΩ
 - INSULATION RESISTANCE: 100MΩ MIN
 - DIELECTRIC WITHSTAND VOLTAGE, AC 100V FOR 1MINUTE
 - INSERTION FORCE: 0.5~2.0kgf
 - UNMATING FORCE: 0.8~2.0kgf
 - DURABILITY: 10000 CYCLES
 - OPERATING TEMPERATURE: -25°C~+85°C
 - THE PEAK TEMPERATURE ON THE BOARD SHALL BE MAINTAINED FOR 10 SECONDS AT 260°C
 - WATERPROOF: IPX5



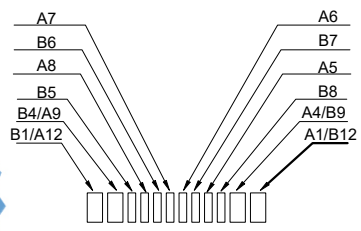
RECOMMENDED ASSEMBLY DRAWING



RECOMMENDED PCB LAYOUT TOLERANCE: ±0.05



ASSEMBLY DIAGRAM



NO.	PARTS	MATERIAL	REMARKS
1	SHELL	STAINLESS STEEL	SUS304 Ni PLATED
2	MID PLATE	STAINLESS STEEL	SUS304 NO PLATED
3	EMI	STAINLESS STEEL	SUS316 NO PLATED
4	HOUSING	HIGH TEMPERATURE PLASTIC	PA9T BLACK UL 94 V-0
5	CONTACT	COPPER ALLOY(C7025)	Au PLATING ON CONTACT AREA
6	WATERPROOF RING	SILICA GEL	BLACK

USB TYPE-C PIN ASSIGNMENTS

PIN NUMBER	A1	A2	A3	A4	A5	A6	A7	A8	A9	A10	A11	A12
SIGNAL NAME	GND			Vbus	CC1	Dp1	Dn1	SBU1	Vbus			GND
PIN NUMBER	B12	B11	B10	B9	B8	B7	B6	B5	B4	B3	B2	B1
SIGNAL NAME	GND			Vbus	SBU2	Dn2	Dp2	CC2	Vbus			GND

THIS DOCUMENT IS THE SOLE PROPERTY OF BBJconn Technology Co.,Ltd. Corporation AND SHOULD NOT BE USED IN WHOLE PRIOR WRITTEN PERMISSION. PDWG NO: 0482-1

深圳市步步精科技有限公司

NAME: TYPE-C 16P 防水母座 四脚插 端子SMT 舌片外露 0.98 带中夹片 PA9T黑 带拉伸EMI L=5.4 IPX5 编带

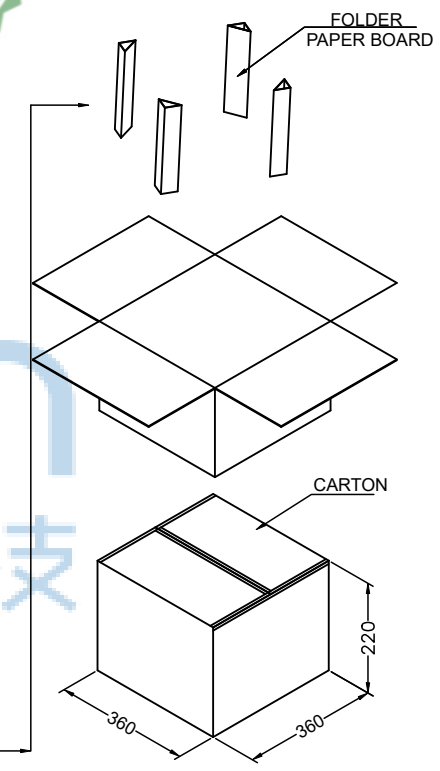
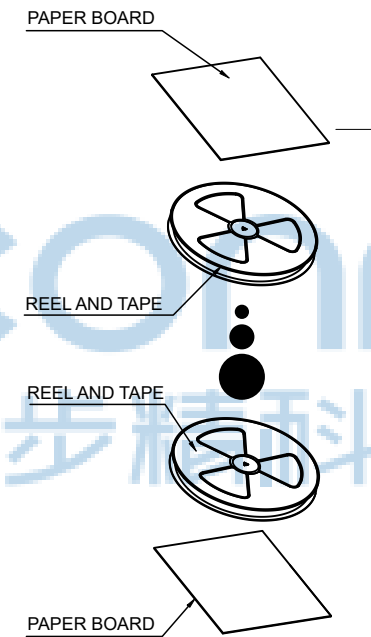
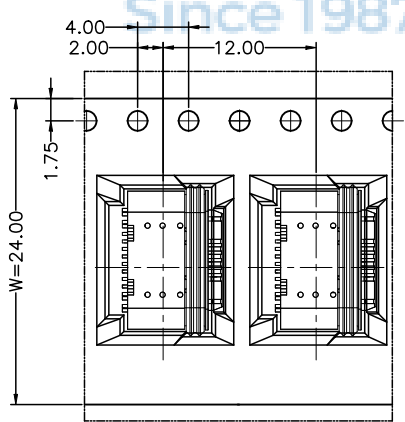
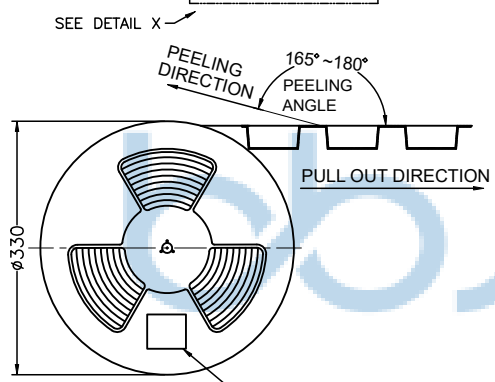
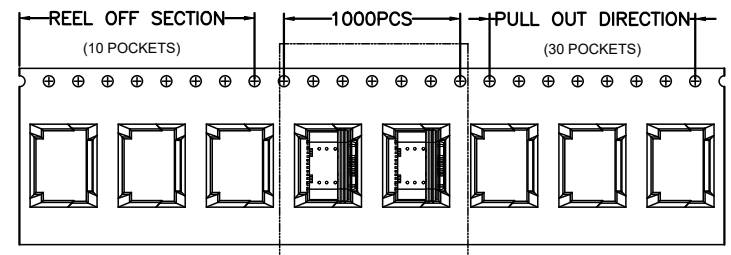
PJ NO: 126-221-160021-H8G

SIZE:A4 DRW NO:

FINISH:SEE NOTES MAT'L:SEE NOTES

SCALE:N/A REV:A0 UNIT:mm PAGE:1/2

REV	ECN NO	CONTENT	DATE	ENGINEER
A0		INITIAL RELEASE	/	SGF



	REEL	CARTON
CONNECTOR (PCS)	1000	7000



THIS DOCUMENT IS THE
SOLE PROPERTY OF
BBJconn Technology Co.,Ltd.
Corporation AND SHOULD
NOT BE USED IN WHOLE
PRIOR WRITTEN PERMISSION.
PDWG NO: 0482-1

深圳市步步精科技有限公司

NAME: TYPE-C 16P 防水母座 四脚插 端子SMT 舌片外露
0.98 带中夹片 PA9T黑 带拉伸EMI L=5.4 IPX5 编带

APPD	JM_Zheng		PJ NO: 126-221-160021-H8G
CHKD	LYX		SIZE:A4 DRW NO:
DR	SGF	FINISH:SEE NOTES	MAT'L:SEE NOTES
		SCALE:N/A	REV:A0 UNIT:mm PAGE:2/2