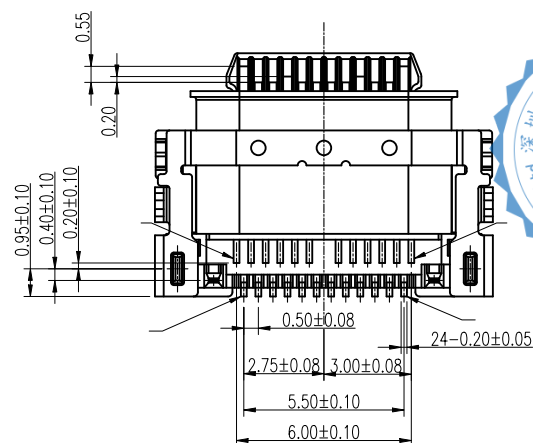
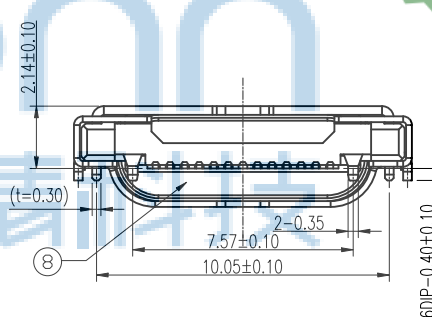
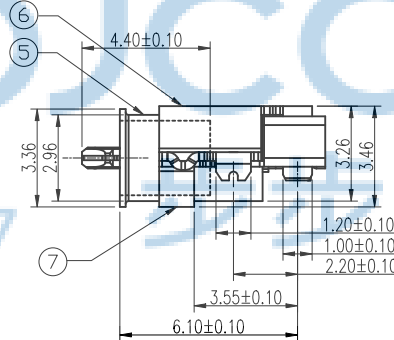
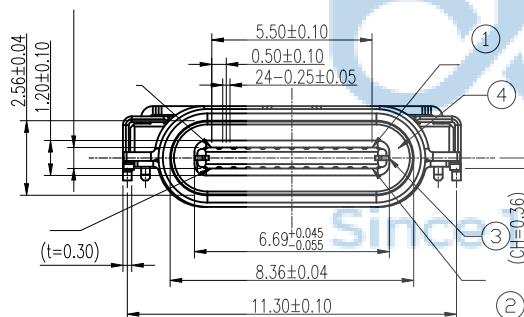
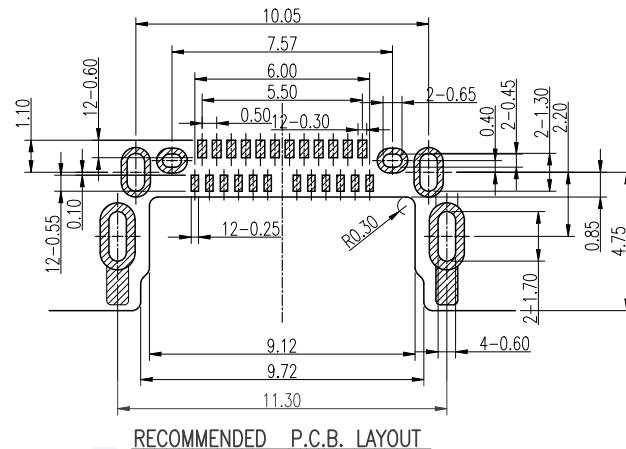
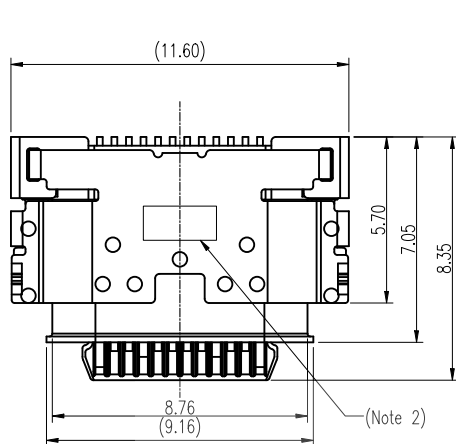
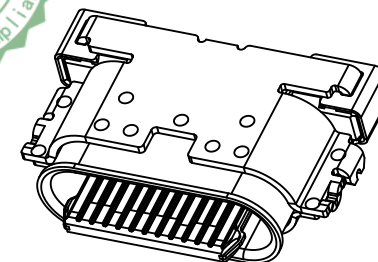


REV.	ECN NO.	CONTENT	DATE	ENGINEER
A0		Initial release	/	SGF

NOTES:

SPECIFICATION:

- CURRENT RATING: 5.0A MAX
- TEMPERATURE RANGE: -30 °C ~ 85 °C
- CONTACT RESISTANCE: 40 MILLIONHM MAX
- INSULATION RESISTANCE: 100 MEGOHMS MIN.
- DIELECTRIC WITHSTANDING VOLTAGE: 100 VAC
- : 5N~20N
- : 8N~20N
- DURABILITY: 10,000 CYCLES



Pin	Name	Pin	Name
A1	GND	B12	GND
A	SSTXp1		SSRXp1
A	SSTXn1		SSRXn1
A4	VBUS	B9	VBUS
A5	CC1	B8	SBU2
A6	Dp1	B7	Dn2
A7	Dn1	B6	Dp2
A8	SBU1	B5	CC2
A9	VBUS	B4	VBUS
A	SSRXn2		SSTXn2
A	SSRXp2		SSTXp2
A12	GND	B1	GND

NO.	DESCRIPTION	MATERIAL	REMARKS	QTY
8	POTTING	SILICONE	-	1PCS
7	COVER SHELL-LOWER	SUS304 T=0.30mm	NI Plated	1PCS
6	COVER SHELL-UPPER	SUS304 T=0.30mm	NI Plated	1PCS
5	SHELL	SUS304 T=0.20mm	NI Plated	1PCS
4	INSULATOR	PA9T%LCP	BLACK	1PCS
3	MID PLATE	SUS301 T=0.15mm	Ni Plated	1PCS
2	CONTACT-B	C7025 T=0.12mm	Au/Ni Plated	1SET
1	CONTACT-A	C7025 T=0.12mm	Au/Ni Plated	1SET

THIS DOCUMENT IS THE
SOLE PROPERTY OF
BBJconn Technology Co., Ltd.
Corporation AND SHOULD
NOT BE USED IN WHOLE
OR IN PART WITHOUT
PRIOR WRITTEN PERMISSION.
PDWG.NO: 0523-1

深圳市步步精科技有限公司

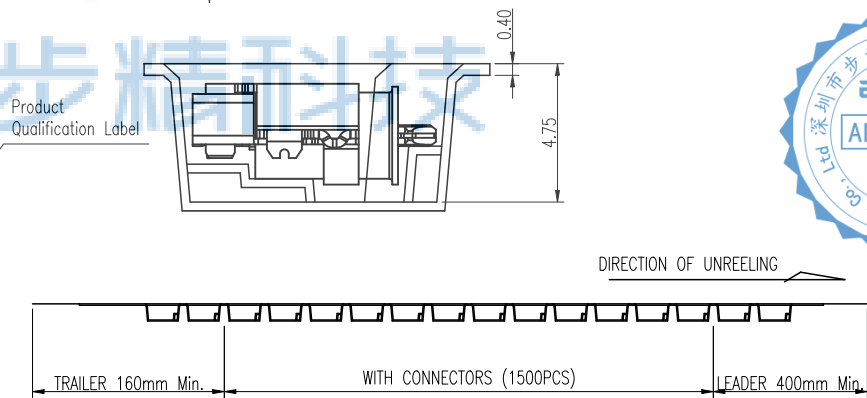
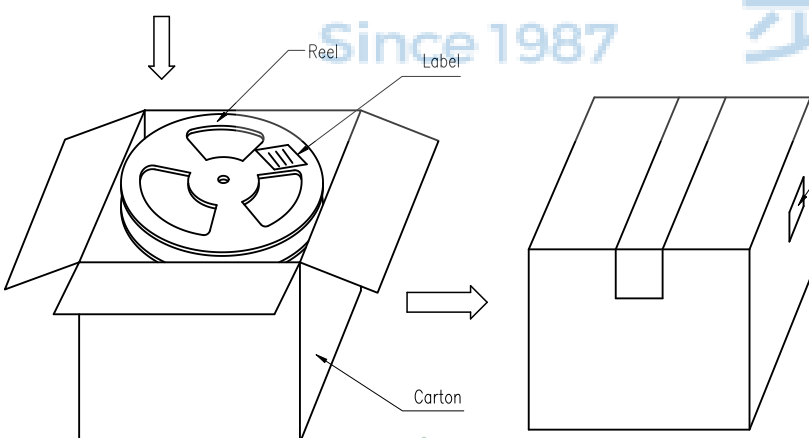
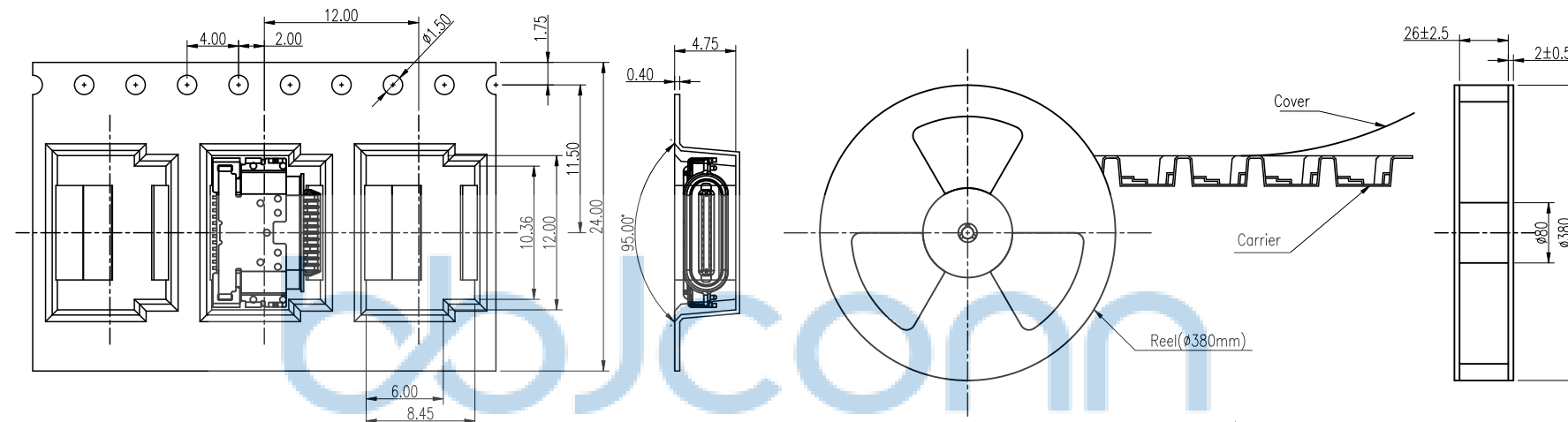
NAME: TYPE-C 24P 防水母座 双壳 沉板 1.54 SMT
六脚插 舌片外漏 1.3 L=7.05 CH=0.36 IPX7

PJ. NO.: UC.01.39-1W-0001
SIZE: A4 DRW NO.:

FINISH: SEE NOTES MAT'L.: SEE NOTES
SCALE: N/A REV.: A0 UNIT: mm PAGE: 1/2

APPD. JM_Zheng
CHKD. LYX
DR. SGF

REV.	ECN NO.	CONTENT	DATE	ENGINEER
AO		Initial release	/	SGF



NOTES:
1, Tape Reel Material: PET Transparent
2, Package Content: See Tab below

THIS DOCUMENT IS THE SOLE PROPERTY OF BBJconn Technology Co., Ltd. Corporation AND SHOULD NOT BE USED IN WHOLE OR IN PART WITHOUT PRIOR WRITTEN PERMISSION.		深圳市步步精科技有限公司	
PDWG.NO: 0523-1		NAME: TYPE-C 24P 防水母座 双壳 沉板 1.54 SMT 六脚插 舌片外漏 1.3 L=7.05 CH=0.36 IPX7	
APPD.	JM_Zheng	PJ. NO.: UC. 01.39-1W-0001	
CHKD.	LYX	SIZE: A4 DRW NO.:	
DR.	SGF	FINISH: SEE NOTES MAT'L.: SEE NOTES	
		SCALE: N/A	REV.: AO UNIT: mm PAGE: 2/2