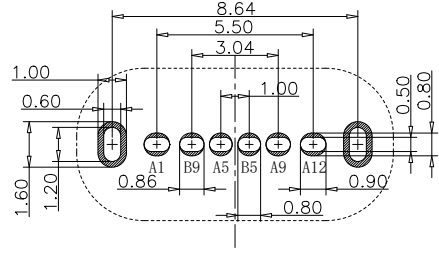
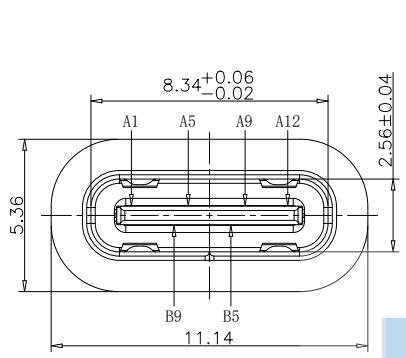


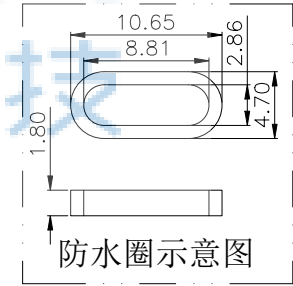
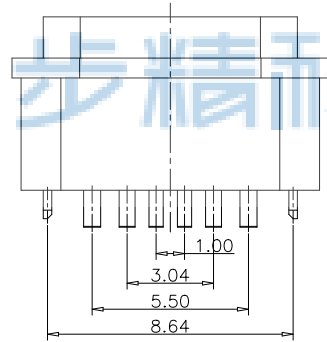
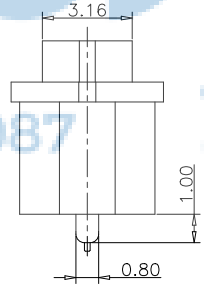
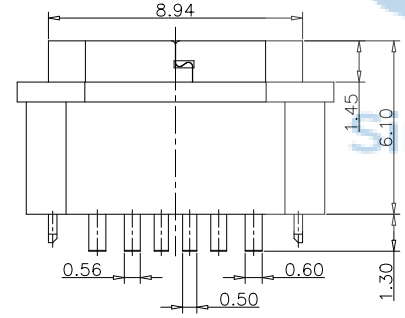
REV.	ECN NO	CONTENT	DATE	ENGINEER
A0		Initial release	/	GZY



- 备注 (NOTE):
1. 电气特性:
    - 1.1. 接触区: 接触电阻40mΩ Max, 允许10mΩ变化量. 测试条件: 20mv, 100mA下测量.
    - 1.2. 接触电流: 3A VBUS引脚; 1.25A用于GND引脚; 其他引脚为0.25A.
    - 1.3. 额定电压: 5V.
    - 1.4. 耐受电压: 100VAC.
    - 1.5. 绝缘电阻: 至少100兆欧.
  2. 机械性能:
    - 3.1. 插入力: 0.5-2.0Kg
    - 3.2. 拔出力: 0.6-2.04Kg
    - 3.3. 插拔次数: 10000次.
  4. 可焊性: 温度210-230℃, 时间10秒.
  5. 工作环境: -20℃ to +85℃.



RECOMMEND P.C.B LAYOUT (COMPONENT SIDE)  
TOLERANCE FOR PCB LAYOUT IS ±0.05

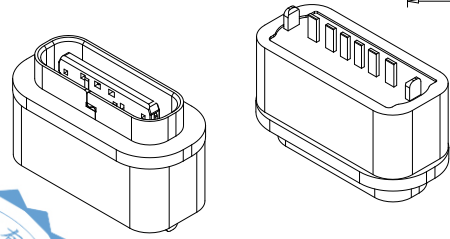
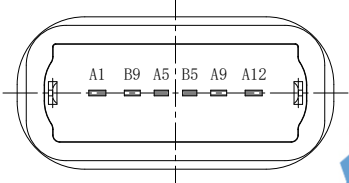


USB TYPE C PIN ASSIGNMENTS

PIN NUMBER	SIGNAL NAME	PIN NUMBER	SIGNAL NAME
A1	GND	B9	VBUS
A5	CC1	B5	CC2
A9	VBUS		
A12	GND		

TABLE:

NO	PART	Q'TY	Material
1	SHELL	1	STAINLESS STEEL, NI PLATED
2	CONTACT	6	COPPER STEEL, TIN/Au/NI PLATED
3	1MD HOUSING	1	HIGH TEMPERATURE RESISTANT PLASTIC BLACK UL94 V-0
4	2MD HOUSING	1	HIGH TEMPERATURE RESISTANT PLASTIC BLACK UL94 V-0



THIS DOCUMENT IS THE SOLE PROPERTY OF BBJconn Technology Co., Ltd. Corporation AND SHOULD NOT BE USED IN WHOLE OR IN PART WITHOUT PRIOR WRITTEN PERMISSION. PDWG.NO: 0523-1

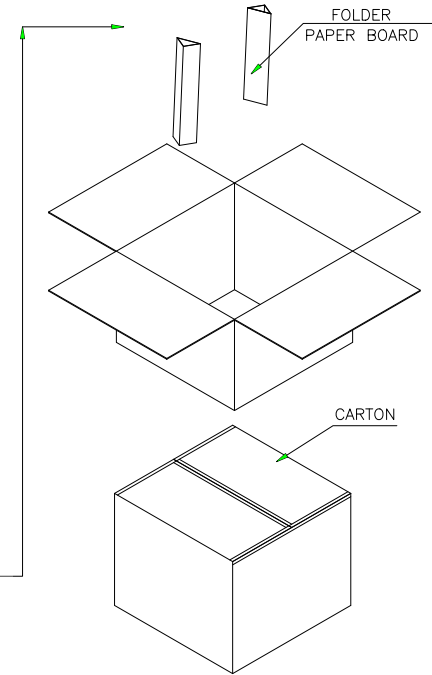
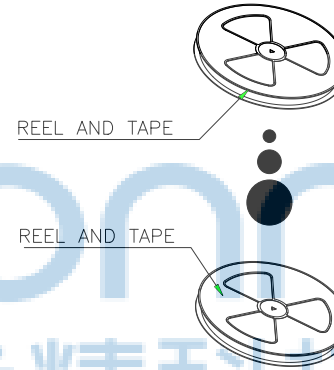
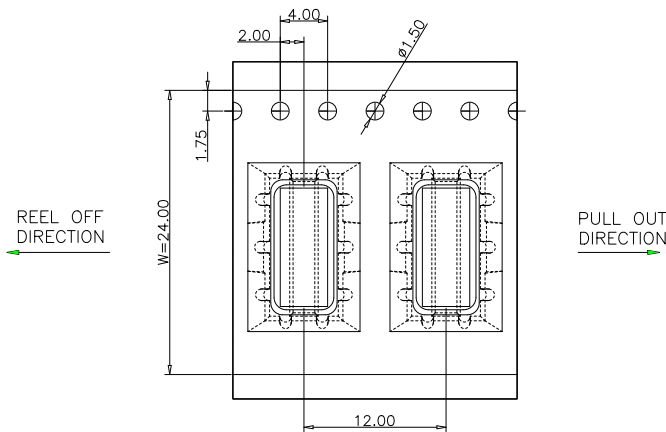
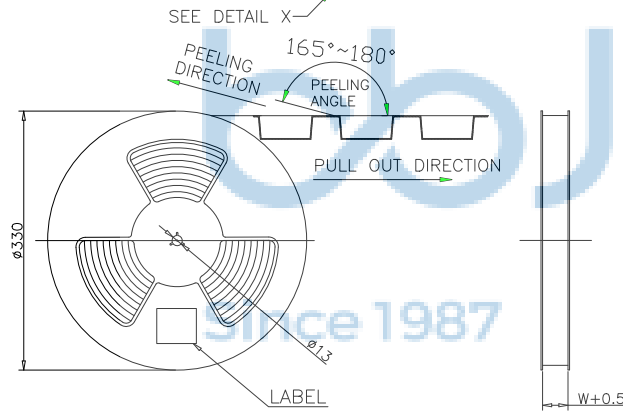
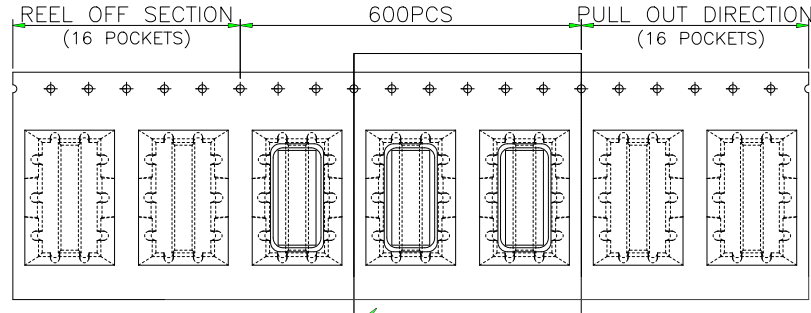
**深圳市步步精科技有限公司**

NAME: TYPE-C 防水母座 6P 直立式 外壳两脚DIP 端子DIP H=6.10 带中夹片 不锈钢外壳 LCP黑色 IPX7 带防水圈 带带

APPD. JM\_Zheng  
CHKD. LYX  
DR. GZY

PJ. NO.:  
SIZE: A4 | DRW NO.:  
FINISH: SEE NOTES | MAT'L.: SEE NOTES  
SCALE: N/A | REV.: A0 | UNIT: mm | PAGE: 1/2

REV.	ECN NO.	CONTENT	DATE	ENGINEER
A0		Initial release	/	GZY



	REEL	CARTON
CONNECTOR (PCS)	600	6000

THIS DOCUMENT IS THE SOLE PROPERTY OF BBJconn Technology Co.,Ltd. Corporation AND SHOULD NOT BE USED IN WHOLE OR IN PART WITHOUT PRIOR WRITTEN PERMISSION. PDWG.NO: 0523-1

**深圳市步步精科技有限公司**

NAME: TYPE-C 防水母座 6P 直立式 外壳两脚DIP 端子DIP H=6.10 带中夹片 不锈钢外壳 LCP黑色 1PX7 带防水圈 编带

APPD. JM_Zheng	PJ. NO.:
CHKD. LYX	SIZE: A4   DRW NO.:
DR. GZY	FINISH: SEE NOTES   MAT'L.: SEE NOTES
	SCALE: N/A   REV.: A0   UNIT: mm   PAGE: 1/2

尺寸公差:  
.X: ±0.38 X': ±3"  
.XX: ±0.25 .X': ±2"  
.XXX: ±0.13 .XX': ±1"