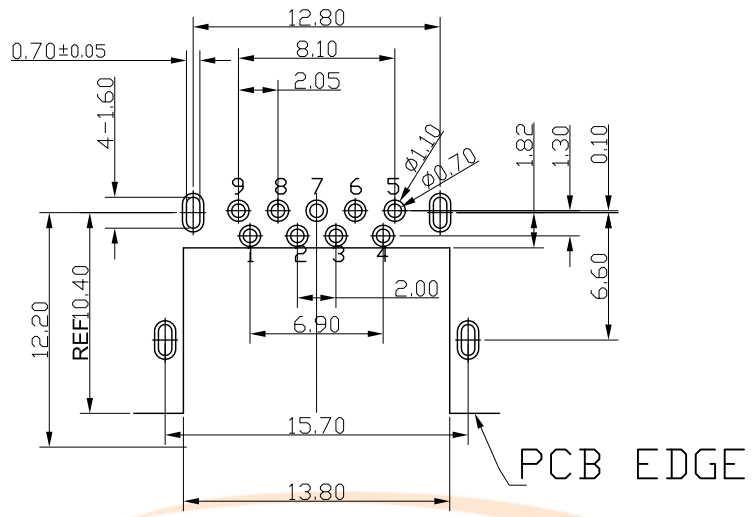


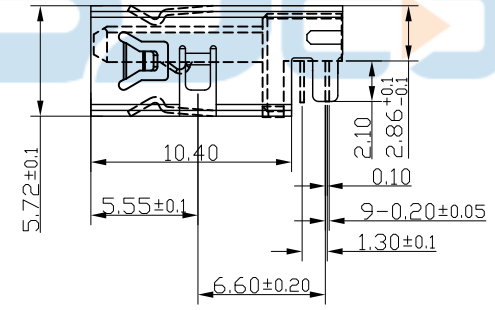
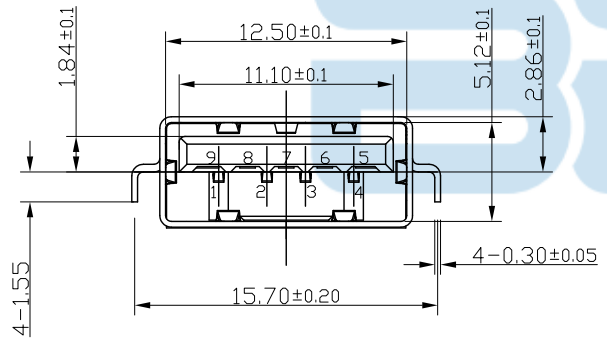


REV.	DESCRIPTION	NAME	DATE
A	NEWS ISSUE		

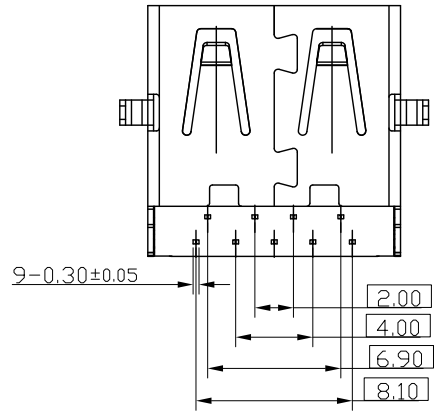
- NOTE:
- MATERIAL:
 - INSULATOR: LCP UL 94V-0
 - CONTACT: BRONZE (T=0.20mm)
 - SHELL: SUS201 (T=0.30mm)
 - ELECTRICAL CHARACTERISTICS:
 - CONTACT RESISTANCE: 30mΩ MAXIMUM
 - CONTACT CURRENT RATING: 1.5A
 - DIELECTRIC WITHSTANDING VOLTAGE: 500 V R.M.S.
 - INSULATION RESISTANCE: 1000 MEGOHMS MIN
 - OPERATING TEMPERATURE: -40° C ~ 85° C
 - MECHANICAL CHARACTERISTICS:
 - MATING FORCE: 3.57kg MAX
 - UNMATED FORCE: 1.02kg MIN
 - DURABILITY: MANDATORY: 5,000 CYCLES
 - PLATING
 - TERMINAL:
 - 50u" MIN NICKEL ALL OVER
 - 100u" MIN Tin ON SOLDER AREA
 - (1~30)u" Au ON CONTACT AREA
 - SHELL: 100u" MIN. NICKEL ALL OVER



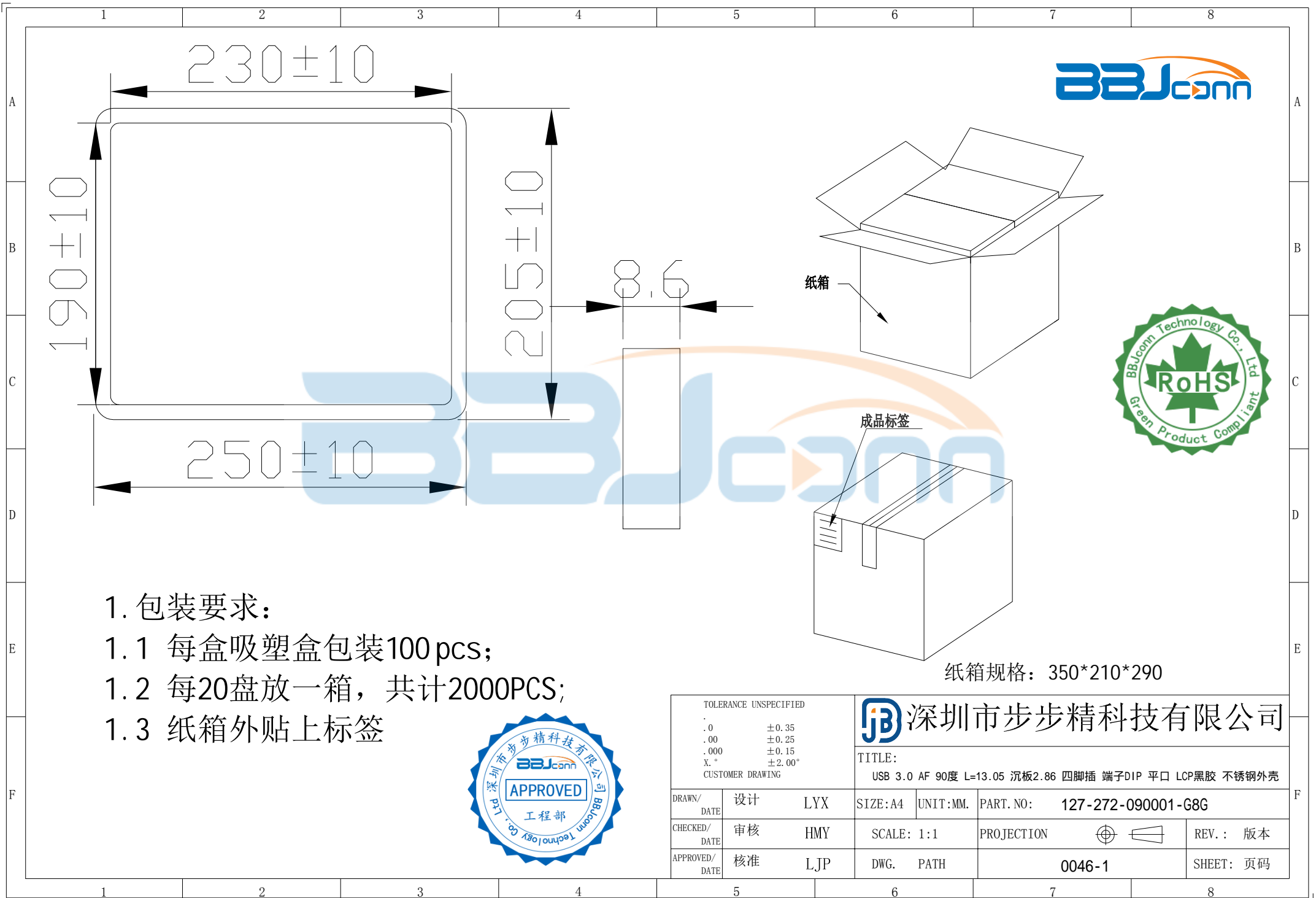
TOLERANCE: ±0.05, THICKNESS: 1.6 mm
RECOMMENDED PCB LAYOUT



Pin NUMBER	SIGNAL NAME
1	VBUS
2	D-
3	D+
4	GND
5	StdA_SSRX-
6	StdA_SSRX+
7	GND_DRAIN
8	StdA_SSTX-
9	StdA_SSTX+
Shell	Shield



TOLERANCE UNSPECIFIED		深圳市步步精科技有限公司 TITLE: USB 3.0 AF 90度 L=13.05 沉板2.86 四脚插 端子DIP 平口 LCP黑胶 不锈钢外壳	
.0 ±0.35 .00 ±0.25 .000 ±0.15 X.° ±2.00° CUSTOMER DRAWING	DRAWN/ DATE: 设计 LYX CHECKED/ DATE: 审核 HMY APPROVED/ DATE: 核准 LJP	SIZE: A4 UNIT: MM SCALE: 1:1 DWG. PATH	PART. NO.: 127-272-090001-G8G PROJECTION: REV.: 版本 SHEET: 页码



1. 包装要求:

- 1.1 每盒吸塑盒包装100 pcs;
- 1.2 每20盘放一箱, 共计2000PCS;
- 1.3 纸箱外贴上标签



纸箱规格: 350*210*290

TOLERANCE UNSPECIFIED		深圳市步步精科技有限公司 TITLE: USB 3.0 AF 90度 L=13.05 沉板2.86 四脚插 端子DIP 平口 LCP黑胶 不锈钢外壳			
.0	±0.35				
.00	±0.25				
.000	±0.15				
X.°	±2.00°				
CUSTOMER DRAWING					
DRAWN/ DATE	设计 LYX	SIZE: A4	UNIT: MM.	PART. NO: 127-272-090001-G8G	
CHECKED/ DATE	审核 HMY	SCALE: 1:1	PROJECTION	REV.: 版本	
APPROVED/ DATE	核准 LJP	DWG. PATH	0046-1		SHEET: 页码