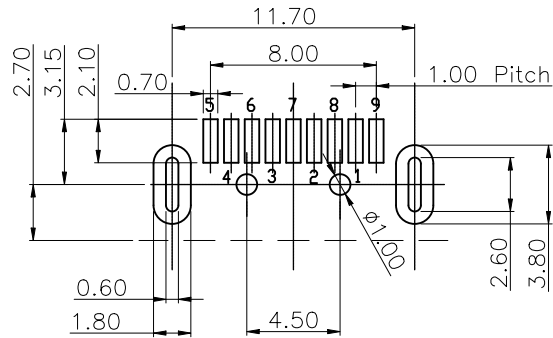
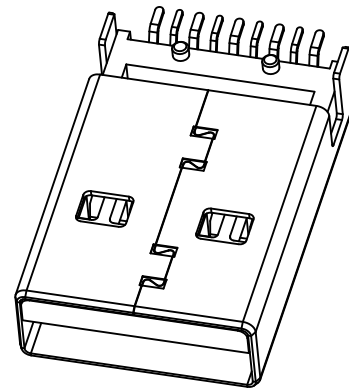
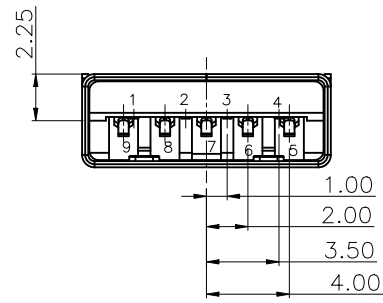
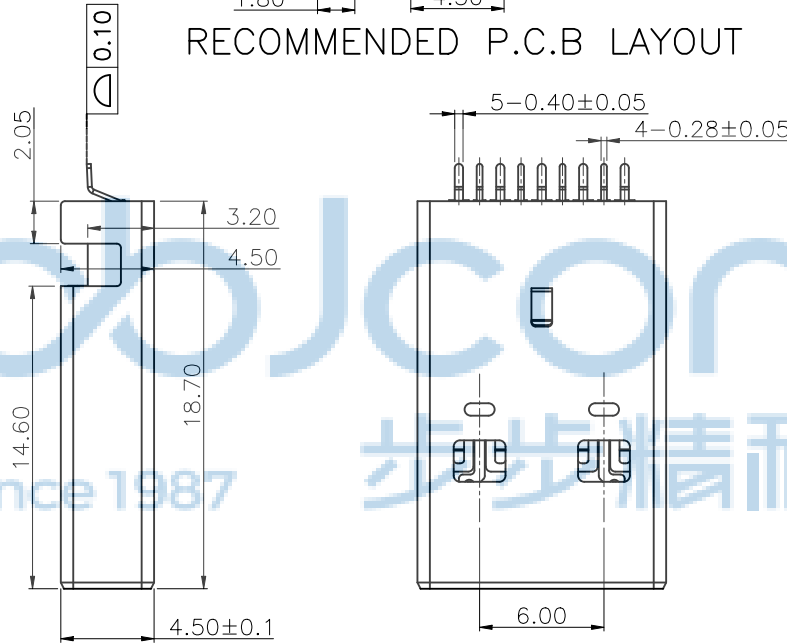
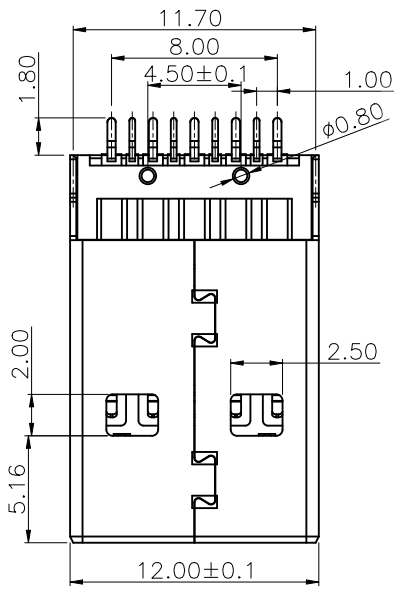


REV.	ECN NO	CONTENT	DATE	ENGINEER
A0		Initial release	/	LQ



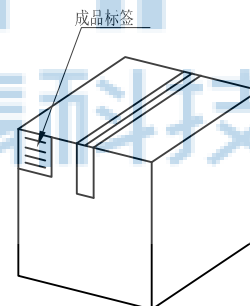
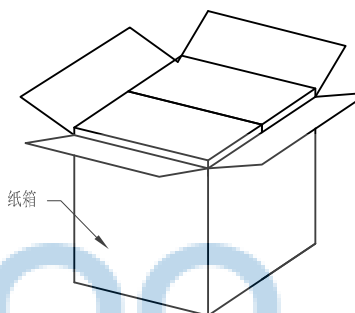
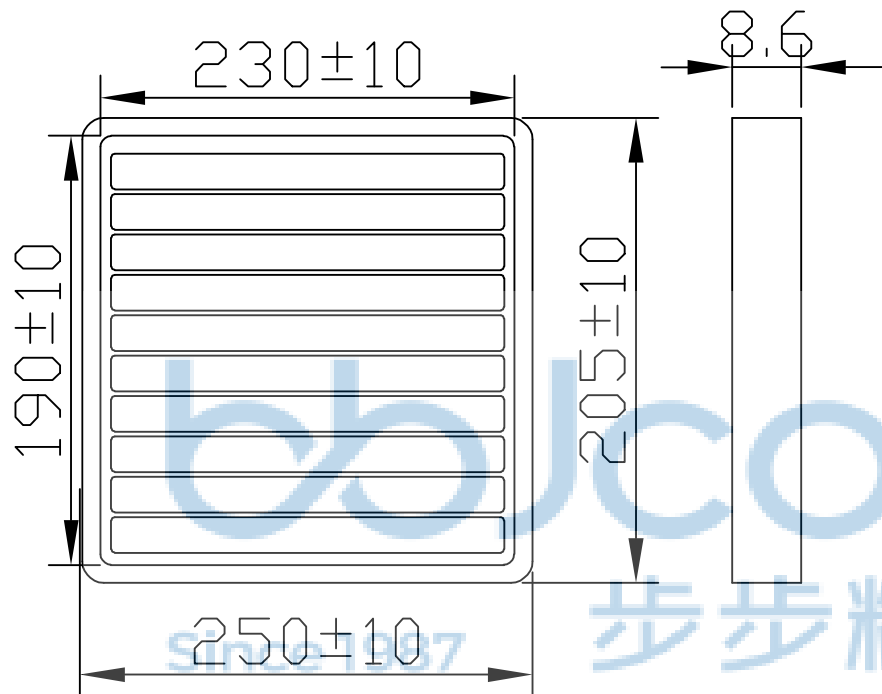
RECOMMENDED P.C.B LAYOUT



- NoNOTE:
- MATERIAL:
    - INSULATOR:LCP UL 94V-0
    - CONTACT:Copper alloy (T=0.20mm) PLATED Ni50u", Sn80u"Au1~30u"
    - SHELL: SPCC (T=0.30mm) PLATED Ni50u" MIN.
  - ELECTRICAL CHARACTERISTICS:
    - CONTACT RESISTANCE: 30mΩ MAXIMUM
    - CONTACT CURRENT RATING: 1.5 AMPERES
    - DIELECTRIC WITHSTANDING VOLTAGE: 100 V AC R. M. S.
    - INSULATION RESISTANCE 100 MEGOHMS MIN
    - OPERATING TEMPERATURE: -40° C ~ 85° C
  - MECHANICAL CHARACTERISTICS:
    - MATING FORCE: 3.57kgf MAX
    - UNMATED FORCE: 1.02kgf MIN INITIAL/0.82kgf MIN
    - DURABILITY: 1,500 CYCLES



THIS DOCUMENT IS THE SOLE PROPERTY OF BBJconn Technology Co.,Ltd Corporation AND SHOULD NOT BE USED IN WHOLE OR IN PART WITHOUT PRIOR WRITTEN PERMISSION.		深圳市步步精科技有限公司 .X: ±0.38    .XX: ±0.25    .XXX: ±0.13 X': ±3"    .X': ±2"    .XX': ±1"		NAME: USB 3.0 公头 90度 L=18.70 沉板1.25 直脚 带柱 平口 LCP蓝胶 铁壳 端子SMT 端子镀金1u APPD. JM_Zheng CHKD. LYX DR. LQ	
0536-1		PJ. NO.: 127-171-090001-P2G SIZE: A4 DRW NO.: FINISH: SEE NOTES    MAT'L.: SEE NOTES SCALE: N/A    REV.: A0    UNIT: mm    PAGE: 1/2			



纸箱规格: 350\*210\*290

1. 包装要求:
- 1.1 每盒吸塑盒包装100pcs;
- 1.2 每20盘放一箱, 共计2000PCS;
- 1.3 纸箱外贴上标签。

THIS DOCUMENT IS THE SOLE PROPERTY OF BBJconn Technology Co.,Ltd. Corporation AND SHOULD NOT BE USED IN WHOLE OR IN PART WITHOUT PRIOR WRITTEN PERMISSION.		深圳市步步精科技有限公司 .X: ±0.38    .X': ±3" .XX: ±0.25    .X": ±2" .XXX: ±0.13    .XX': ±1"		NAME: USB 3.0 公头 90度 L=18.70 沉板1.25 直脚 带柱 平口 LCP蓝胶 铁壳 端子SMT 端子镀金1u	
APPD.	JM_Zheng	PJ. NO.: 127-171-090001-P2G		SIZE: A4   DRW NO.:	
CHKD.	LYX	FINISH: SEE NOTES		MAT'L.: SEE NOTES	
PDWG.NO:	0536-1	DR.	TSP	SCALE: N/A	REV.: A0   UNIT: mm   PAGE: 2/2