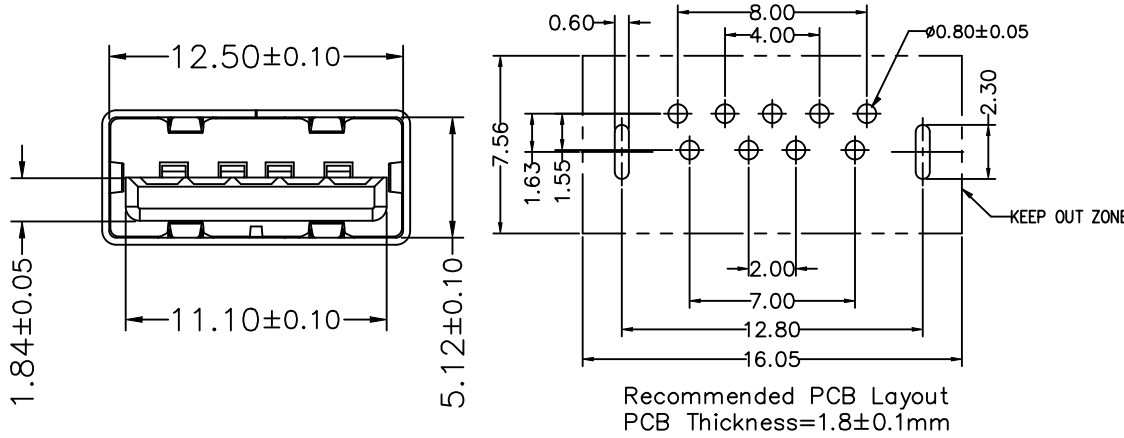
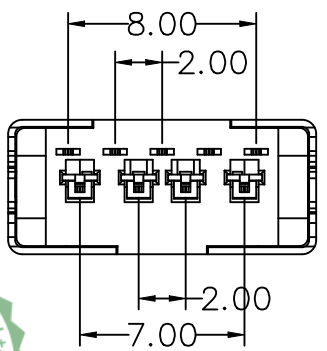
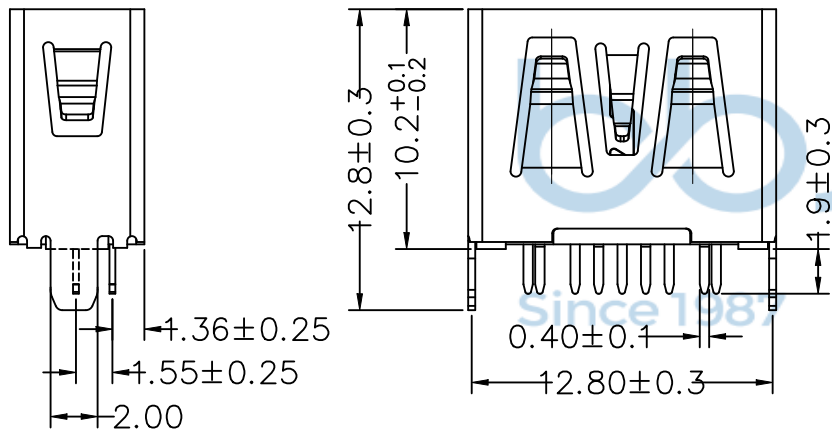


| REV. | ECN NO | CONTENT | DATE | ENGINEER |
|------|--------|-----------------|------|----------|
| A0 | | Initial release | / | TSP |



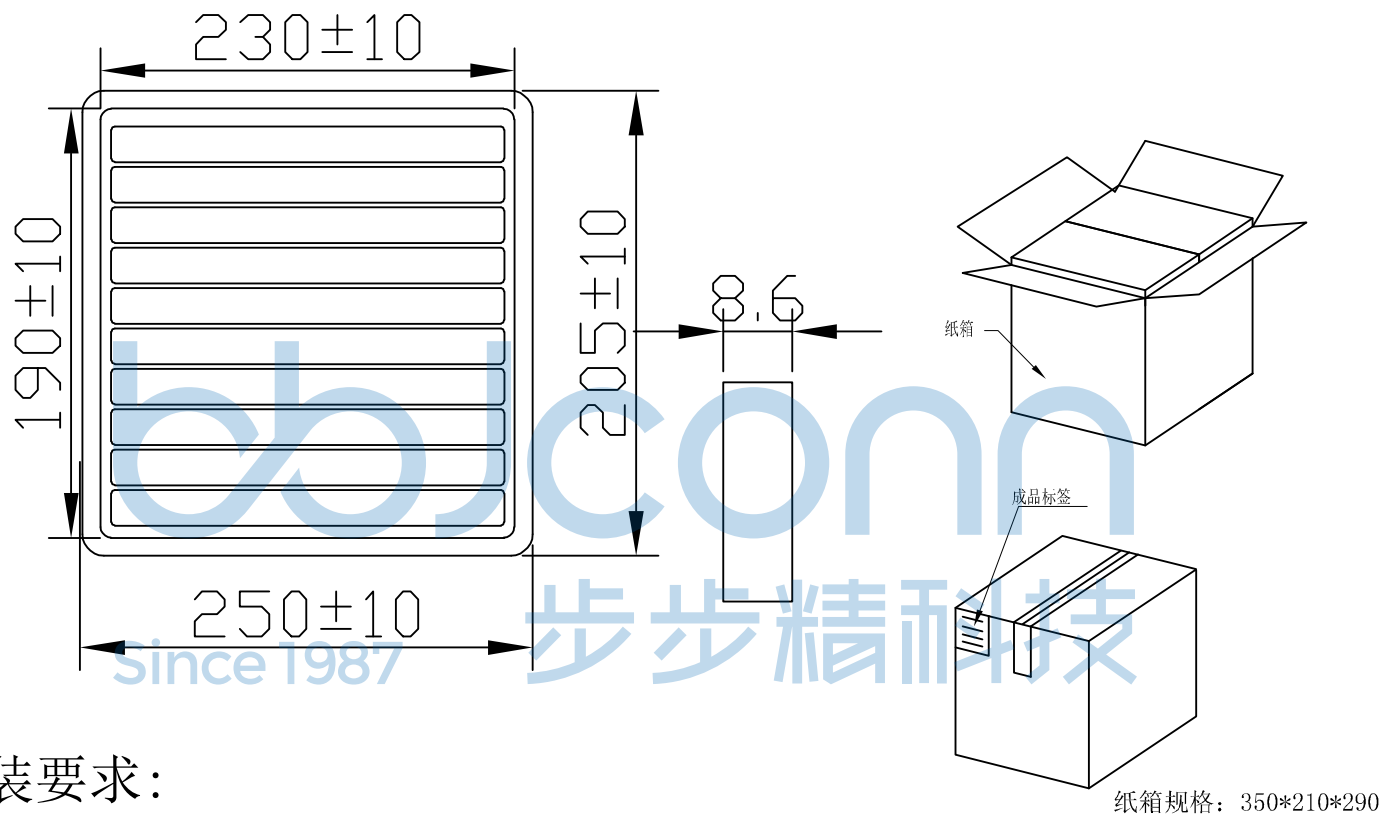
NOTE:
1. MATERIAL:
1.1 INSULATOR:HIGH TEMPERATURE PLASTIC
1.2 CONTACT:BRONZE
1.3 SHELL:STAINLESS STEEL SUS201/C2680
2. ELECTRICAL CHARACTERISTICS;
2.1 CONTACTRESISTANCE:30mΩ MAX
2.2 CONTACT CURRENT RATING:1.5A
2.3 DIELECTRIC WITHSTANDING VOLTAGE:100 V R. M. S.
2.4 INSULATION RESISTANCE 100 MΩ MIN
2.5 OPERATING TEMPERATURE:-40° C ~ 85° C
3 MECHANICAL CHARACTERISTICS:
3.1 MATING FORCE:3.57kgf MAX
3.2 UNMATING FORCE:1.02kgf MIN
3.3 DURABILITY:MANDATORY:1,500 CYCLES
4. PLATING
4.1 TERMINAL:
50u" MIN NICKEL ALL OVER
120u"MIN Tin ON SOLDER AREA
1u"Au ON CONTACT AREA
4.2 SHELL:50u"MIN. NICEL ALL OVER



| Pin NUMBER | SIGNAL NAME |
|------------|-------------|
| 1 | VBUS |
| 2 | D- |
| 3 | D+ |
| 4 | GND |
| 5 | StdA_SSRX- |
| 6 | StdA_SSRX+ |
| 7 | GND_DRAIN |
| 8 | StdA_SSTX- |
| 9 | StdA_SSTX+ |
| Shell | Shield |




| | | | | | |
|--|--|---|--|---|--|
| THIS DOCUMENT IS THE SOLE PROPERTY OF BBJconn Technology Co.,Ltd. Corporation AND SHOULD NOT BE USED IN WHOLE OR IN PART WITHOUT PRIOR WRITTEN PERMISSION. | | 深圳市步步精科技有限公司 .X: ±0.38 .X': ±3" .XX: ±0.25 .X'': ±2" .XXX: ±0.13 .X''': ±1" | | NAME: USB 3.0 AF 180度 两脚直插 端子DIP H=10.20 平口 LCP黑胶 不锈钢外壳 APPD. JM_Zheng CHKD. LYX DR. TSP | |
| PDWG.NO: 0536-1 | | PJ. NO.: UB.03.12-13-W003 SIZE: A4 DRW NO.: FINISH: SEE NOTES MAT'L.: SEE NOTES SCALE: N/A REV.: A0 UNIT: mm PAGE: 1/2 | | | |



1. 包装要求:
- 1.1 每盒吸塑盒包装100pcs;
 - 1.2 每50盘放一箱, 共计5000PCS;
 - 1.3 纸箱外贴上标签。

纸箱规格: 350*210*290

| | | | |
|--|----------|--|----------------------------------|
| THIS DOCUMENT IS THE SOLE PROPERTY OF BBJconn Technology Co.,Ltd. Corporation AND SHOULD NOT BE USED IN WHOLE OR IN PART WITHOUT PRIOR WRITTEN PERMISSION. | |  深圳市步步精科技有限公司 | |
| PDWG.NO: 0536-1 | | .X: ±0.38 .XX: ±0.25 .XXX: ±0.13 | X*: ±3" .X*: ±2" .XX*: ±1" |
| APPD. | JM_Zheng | NAME: USB 3.0 AF 180度 两脚直插 端子DIP H=10.20 平口 LCP黑胶 不锈钢外壳 | |
| CHKD. | LYX | PJ. NO.: UB.03.12-13-W003 | |
| DR. | TSP | SIZE: A4 DRW NO.: | |
| | | FINISH: SEE NOTES | MAT'L.: SEE NOTES |
| | | SCALE: N/A | REV.: A0 UNIT: mm PAGE: 2/2 |