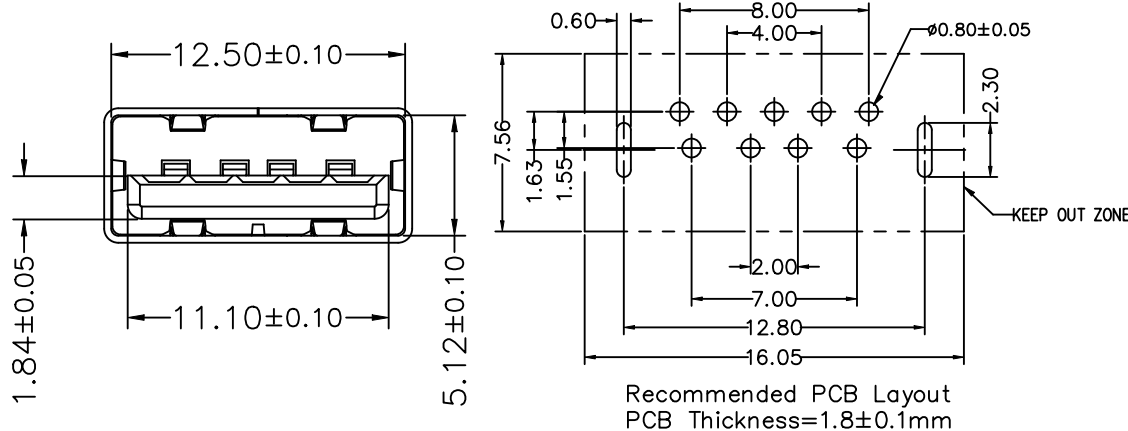
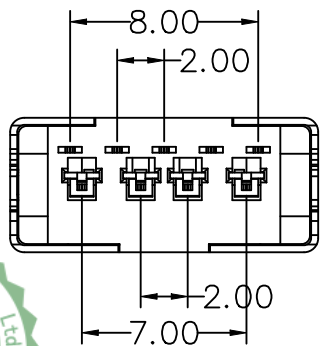
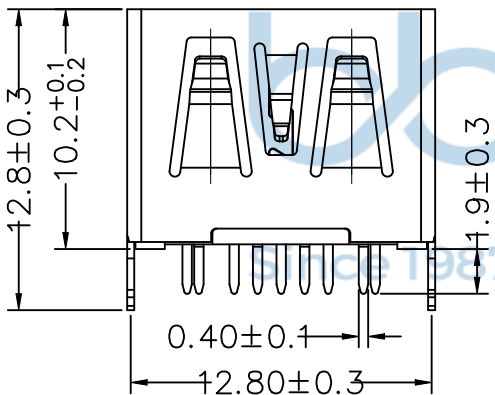
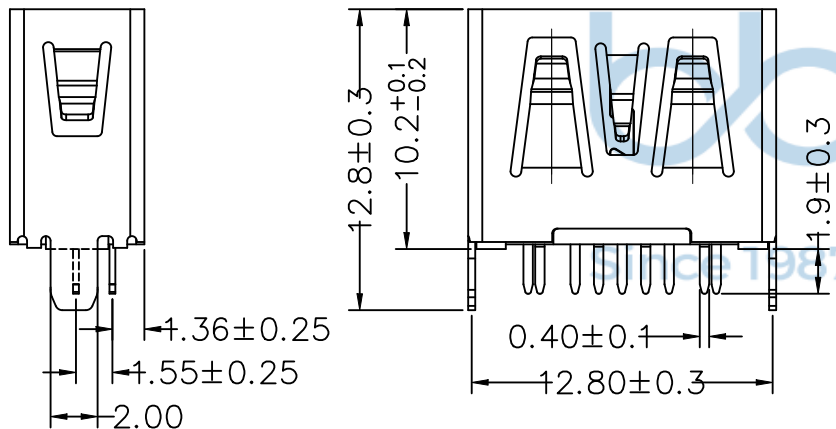


REV.	ECN NO	CONTENT	DATE	ENGINEER
A0		Initial release	/	TSP



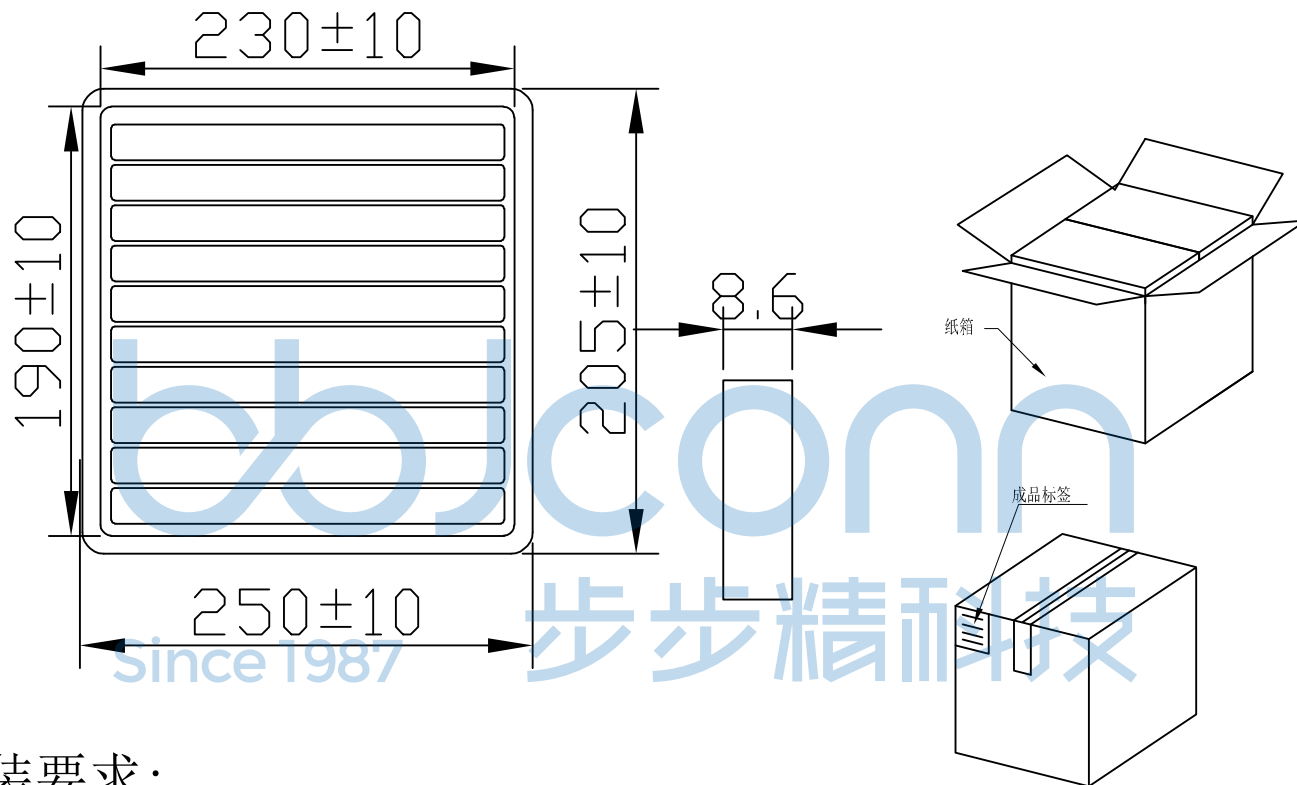
NOTE:
1. MATERIAL:
1.1 INSULATOR:HIGH TEMPERATURE PLASTIC
1.2 CONTACT:BRONZE
1.3 SHELL:STAINLESS STEEL SUS201/C2680
2. ELECTRICAL CHARACTERISTICS;
2.1 CONTACTRESISTANCE:30mΩ MAX
2.2 CONTACT CURRENT RATING:1.5A
2.3 DIELECTRIC WITHSTANDING VOLTAGE:100 V R. M. S.
2.4 INSULATION RESISTANCE 100 MΩ MIN
2.5 OPERATING TEMPERATURE:-40° C ~ 85° C
3 MECHANICAL CHARACTERISTICS:
3.1 MATING FORCE:3.57kgf MAX
3.2 UNMATING FORCE:1.02kgf MIN
3.3 DURABILITY:MANDATORY:1,500 CYCLES
4. PLATING
4.1 TERMINAL:
50u" MIN NICKEL ALL OVER
120u"MIN Tin ON SOLDER AREA
1u"Au ON CONTACT AREA
4.2 SHELL:50u"MIN. NICKEL ALL OVER



Pin NUMBER	SIGNAL NAME
1	VBUS
2	D-
3	D+
4	GND
5	StdA_SSRX-
6	StdA_SSRX+
7	GND_DRAIN
8	StdA_SSTX-
9	StdA_SSTX+
Shell	Shield



THIS DOCUMENT IS THE SOLE PROPERTY OF BBJconn Technology Co.,Ltd. Corporation AND SHOULD NOT BE USED IN WHOLE OR IN PART WITHOUT PRIOR WRITTEN PERMISSION.		深圳市步步精科技有限公司 .X: ±0.38 .XX: ±0.25 .XXX: ±0.13 X*: ±3" .X*: ±2" .XX*: ±1"		NAME: USB 3.0 AF 180度 两脚直插 端子DIP H=10.20 平口 PT 2995C蓝胶 不锈钢外壳	
APPD.	JM_Zheng	PJ. NO.: UB.03.12-33-W018		SIZE: A4 DRW NO.:	
CHKD.	LYX	FINISH: SEE NOTES		MAT'L.: SEE NOTES	
PDWG.NO:	0536-1	DR.	TSP	SCALE: N/A	REV.: A0 UNIT: mm PAGE: 1/2



纸箱规格: 350*210*290

1. 包装要求:
- 1.1 每盒吸塑盒包装100pcs;
- 1.2 每50盘放一箱, 共计5000PCS;
- 1.3 纸箱外贴上标签。

THIS DOCUMENT IS THE SOLE PROPERTY OF BBJconn Technology Co.,Ltd. Corporation AND SHOULD NOT BE USED IN WHOLE OR IN PART WITHOUT PRIOR WRITTEN PERMISSION.		深圳市步步精科技有限公司 .X: ±0.38 .XX: ±0.25 .XXX: ±0.13 X*: ±3" .X*: ±2" .XX*: ±1"		NAME: USB 3.0 AF 180度 两脚直插 端子DIP H=10.20 平口 PT 2995C蓝胶 不锈钢外壳	
APPD.	JM_Zheng	PJ. NO.: UB.03.12-33-W018		SIZE: A4 DRW NO.:	
CHKD.	LYX	FINISH: SEE NOTES		MAT'L.: SEE NOTES	
PDWG.NO:	0536-1	DR.	TSP	SCALE: N/A	REV.: A0 UNIT: mm PAGE: 2/2