



REV	ECN NO	CONTENT	DATE	ENGINEER
A0		INITIAL RELEASE	/	SGF

NOTE:

1.MATERIAL:

- 1.1 INSULATOR:LCP UL 94V-0
- 1.2 CONTACT:BRASS(T=0.20mm)
- 1.3 SHELL:STAINLESS STEEL(T=0.30mm)

2.ELECTRICAL CHARACTERISTICS;

- 2.1 CONTACT RESISTANCE:30mΩ MAXIMUM
- 2.2 CONTACT CURRENT RATING:1.5A
- 2.3 DIELECTRIC WITHSTANDING VOLTAGE:500 V R.M.S.
- 2.4 INSULATION RESISTANCE 1000 MEGOHMS MIN
- 2.5 OPERATING TEMPERATURE:-40°C ~ 85°C

3.MECHANICAL CHARACTERISTICS:

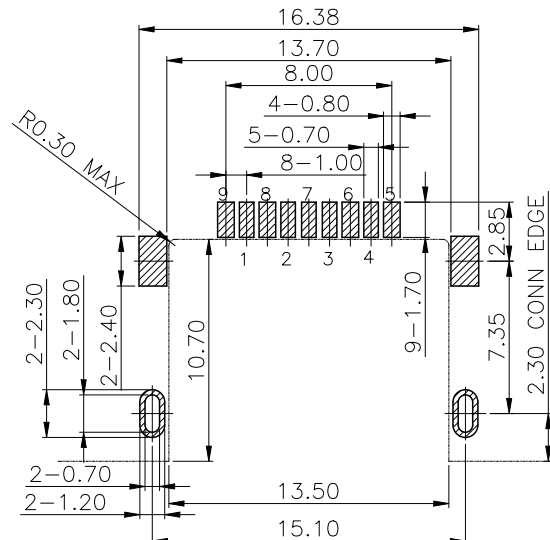
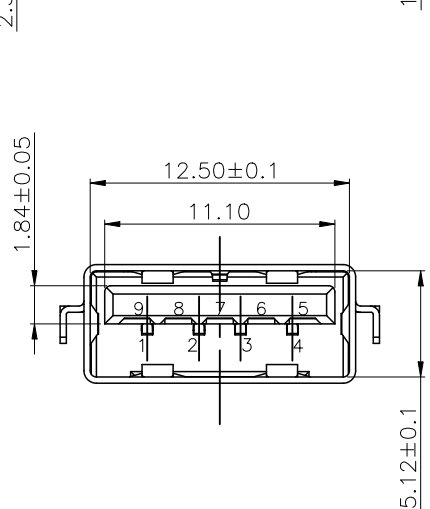
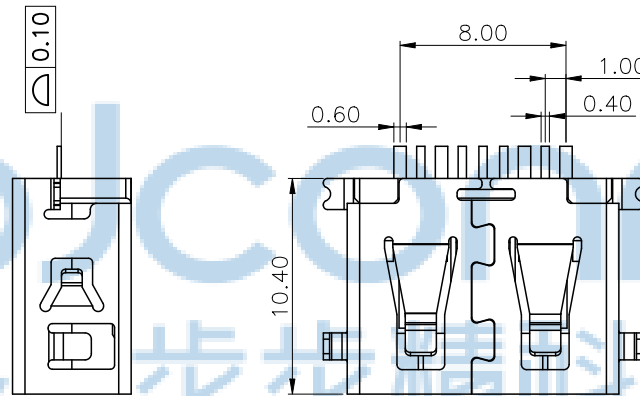
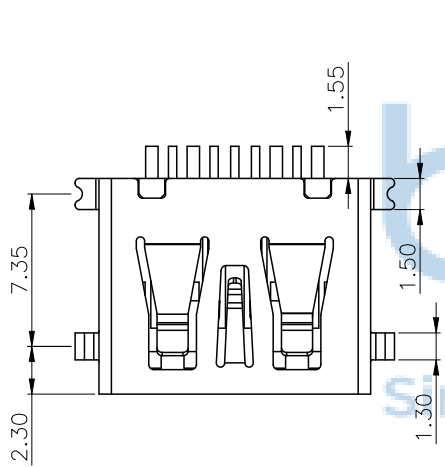
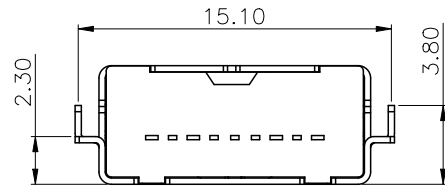
- 3.1 MATING FORCE:3.57kg MAX
- 3.2 UNMATED FORCE:1.02kg MIN
- 3.3 DURABILITY:MANDATORY:5000 CYCLES

4.PLATING

4.1 TERMINAL:

- 50u" MIN NICKEL ALL OVER
- 100u"MIN Tin ON SOLDER AREA
- (1~30)u"Au ON CONTACT AREA

4.2 SHELL:50u"MIN.NICEL ALL OVER



RECOMMENDED PCBA LAYOUT  
(TOLERANCE+±0.05)



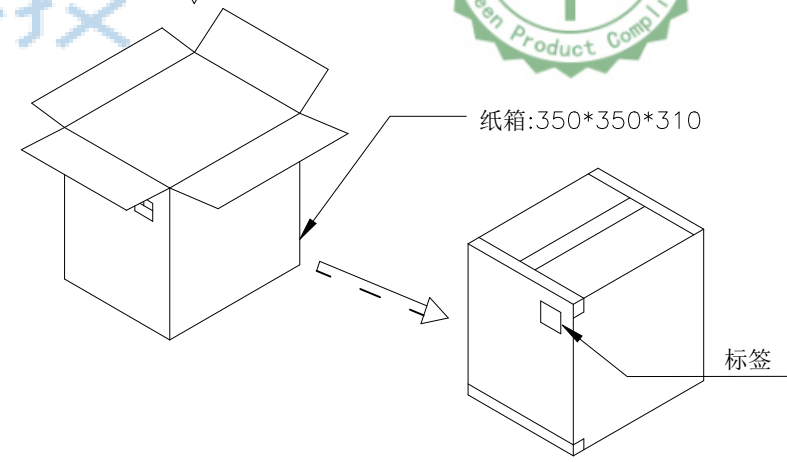
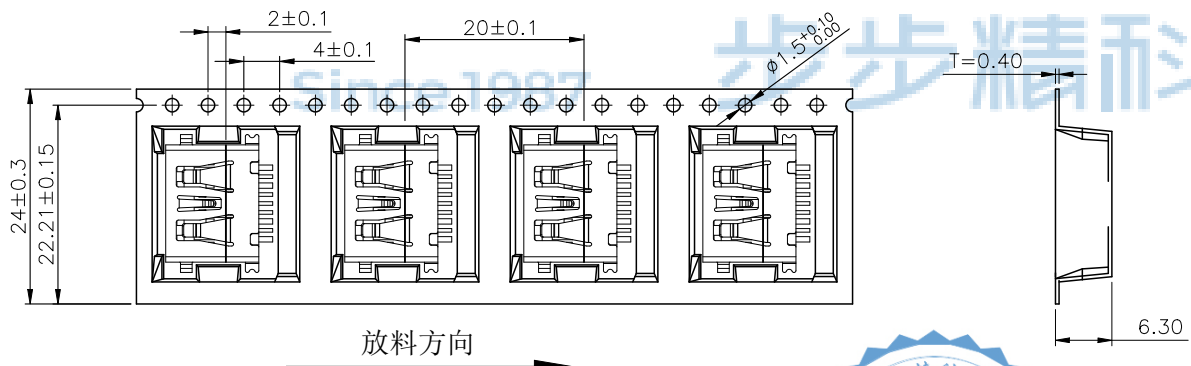
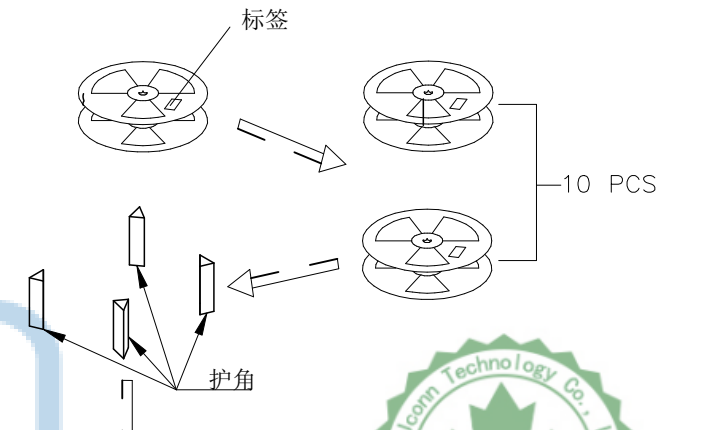
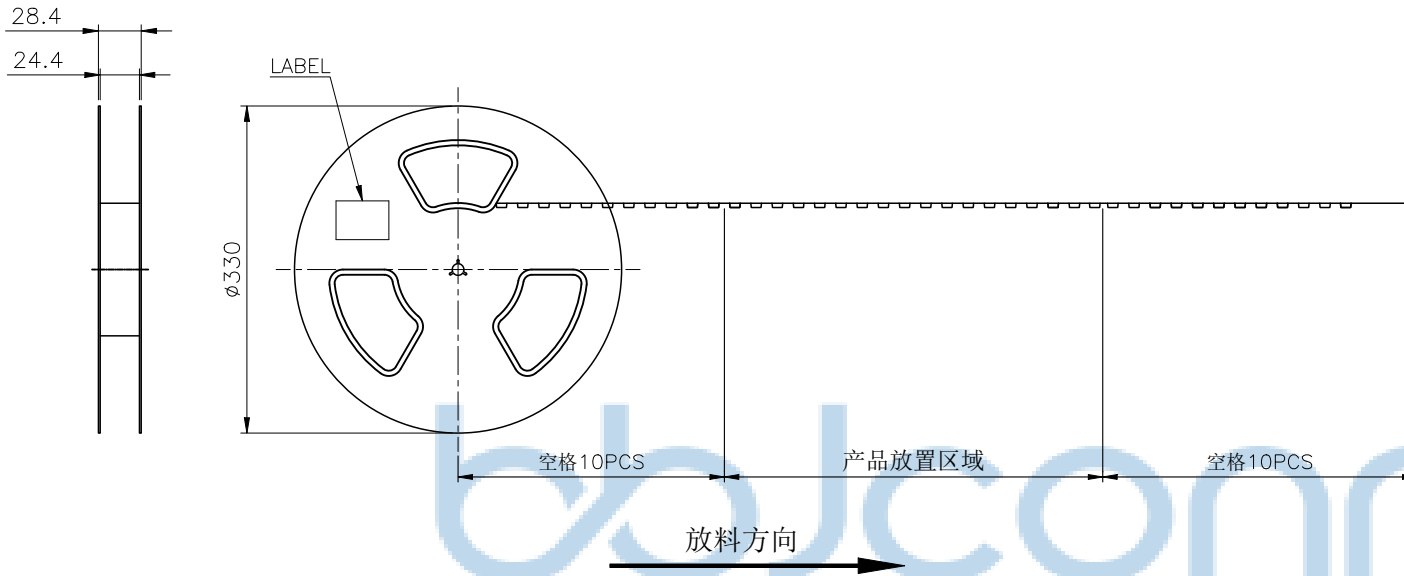
Pin NUMBER	SIGNAL NAME
1	VBUS
2	D-
3	D+
4	GND
5	StdA_SSRX-
6	StdA_SSRX+
7	GND_DRAIN
8	StdA_SSTX-
9	StdA_SSTX+
Shell	Shield

THIS DOCUMENT IS THE  
SOLE PROPERTY OF  
BBJconn Technology Co.,Ltd.  
Corporation AND SHOULD  
NOT BE USED IN WHOLE  
PRIOR WRITTEN PERMISSION.

**深圳市步步精科技有限公司**

NAME: USB 3.0 AF 沉板3.36 前插后贴 端子SMT 平口 LCP橙胶 不锈钢壳 L=10.40 编带	PJ NO: 127-271-090006-P2G
APPD JM_Zheng	SIZE:A4 DRW NO:
CHKD LYX	FINISH:SEE NOTES MAT'L:SEE NOTES
PDWG NO: 0536-1	SCALE:N/A REV:A0 UNIT:mm PAGE:1/2
DR SGF	

REV	ECN NO	CONTENT	DATE	ENGINEER
A0		INITIAL RELEASE	/	SGF



- NOTE:
- MATERIAL:  
BOX: FIBRE BOARD, CORRUGATED, DOUBLE WALL  
TAPE: POLYSTYRENES, HEAT-RESISTANT TEMPERATURE: 120°C, BLACK COLOR.  
REEL: POLYSTYRENES, HEAT-RESISTANT TEMPERATURE: 70°C, BLUE COLOR.  
BAG: POLYETHYLENE, HEAT-RESISTANT TEMPERATURE: 100°C.
  - PEELING STRENGTH: 0.1 ~ 1.3 N (10 ~ 130 GRAMS)
  - PEELING SPEED: 300 mm/min.



THIS DOCUMENT IS THE SOLE PROPERTY OF BBJconn Technology Co.,Ltd. Corporation AND SHOULD NOT BE USED IN WHOLE PRIOR WRITTEN PERMISSION.		深圳市步步精科技有限公司 .X: $\pm 0.38$ .XX: $\pm 0.25$ .XXX: $\pm 0.13$ X': $\pm 3'$ .X': $\pm 2'$ .XX': $\pm 1'$		NAME: USB 3.0 AF 沉板3.36 前插后贴 端子SMT 平口 LCP橙胶 不锈钢壳 L=10.40 编带	
APPD	JM_Zheng	PJ NO: 127-271-090006-P2G SIZE:A4 DRW NO:	FINISH:SEE NOTES		MAT'L:SEE NOTES
CHKD	LYX		SCALE:N/A	REV:A0	UNIT:mm
PDWG NO: 0536-1		DR	SGF		

500	10	5000 PCS	-- KG	-- KG
PCS/ REEL	REELS/ CARTON	QUANTITY	GROSS WEIGHT	NET WEIGHT