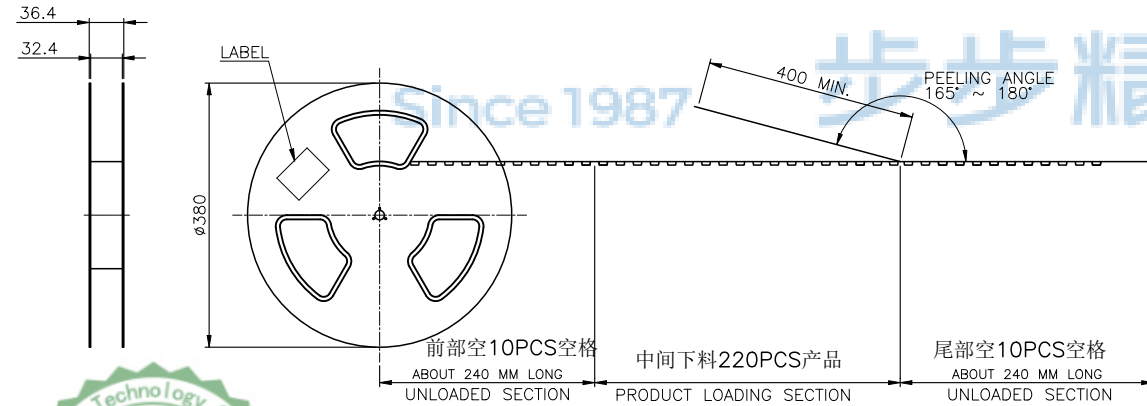
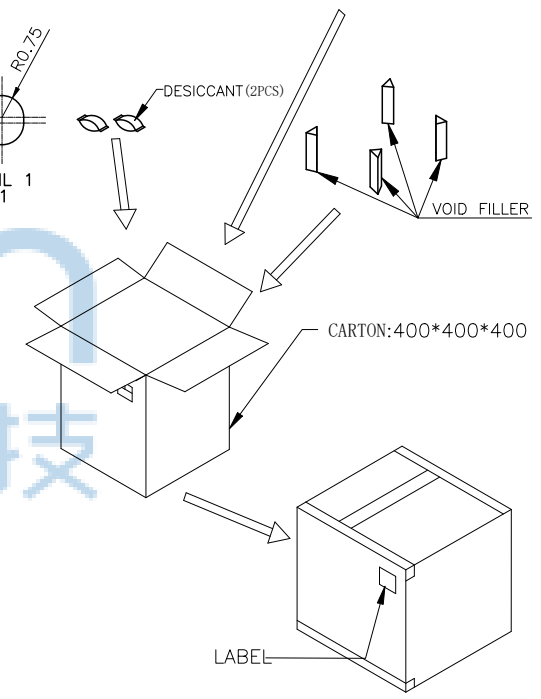
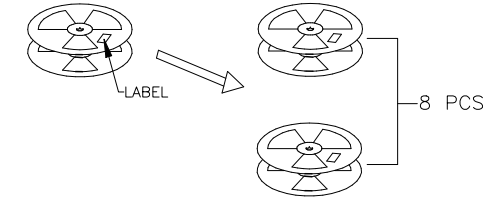
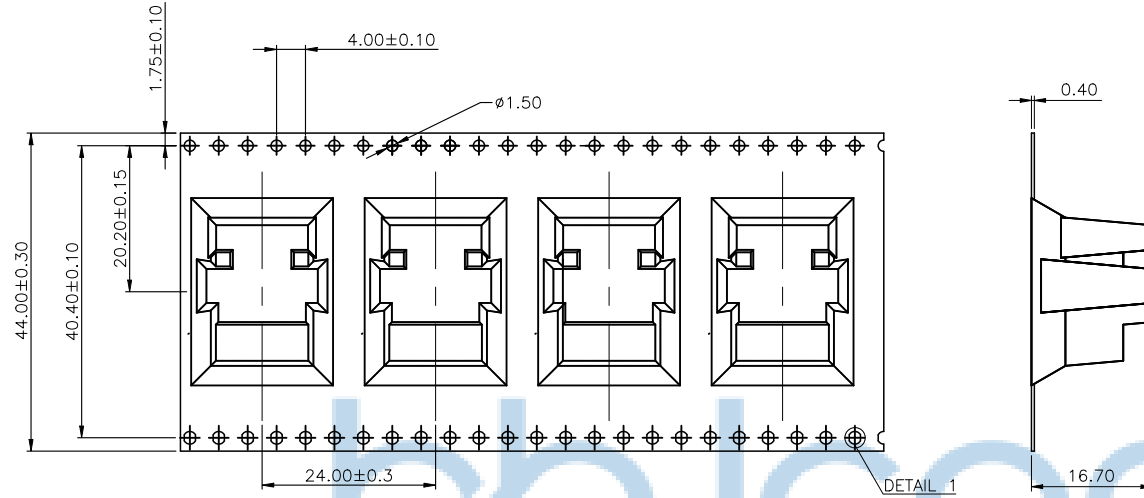


REV	ECN NO	CONTENT	DATE	ENGINEER
AO		INITIAL RELEASE	/	SGF



NOTE:

- MATERIAL:
BOX: FIBRE BOARD, CORRUGATED, DOUBLE WALL
TAPE: POLYSTYRENES, HEAT-RESISTANT TEMPERATURE: 120°C, 透明COLOR.
REEL: POLYSTYRENES, HEAT-RESISTANT TEMPERATURE: 70°C, BLUE COLOR.
BAG: POLYETHYLENE, HEAT-RESISTANT TEMPERATURE: 100°C.
- PEELING STRENGTH: 0.1 ~ 1.3 N (10 ~ 130 GRAMS)
- PEELING SPEED: 300 mm/min.
- EACH BAG SHALL BE INCLUDED DESICCANT.



220	8	1760 PCS	-- KG	7.2KG
PCS/ REEL	REELS/ CARTON	QUANTITY	GROSS WEIGHT	NET WEIGHT

USER DIRECTION OF UNREELING →

THIS DOCUMENT IS THE SOLE PROPERTY OF BBJconn Technology Co.,Ltd. Corporation AND SHOULD NOT BE USED IN WHOLE PRIOR WRITTEN PERMISSION.

PDWG NO: 0536-1

深圳市步步精科技有限公司

NAME: USB 3.0 B母 90度 两脚直插 端子DIP
平口 L=18.3 铜壳 LCP蓝胶 编带

PJ NO: 127-272-090018-P2G
SIZE:A4 DRW NO:

FINISH:SEE NOTES MAT'L:SEE NOTES
SCALE:N/A REV:AO UNIT:mm PAGE:2/2

APPD	JM_Zheng
CHKD	LYX
DR	SGF