

REV	ECN NO	CONTENT	DATE	ENGINEER
A0		INITIAL RELEASE	/	SGF

NOTE:

一:SPECIFICATIONS:

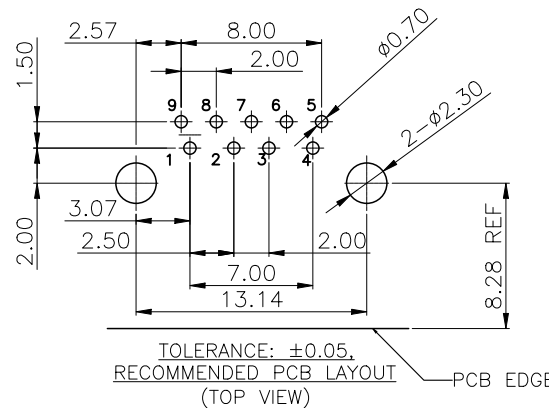
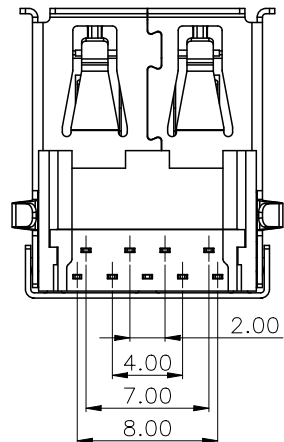
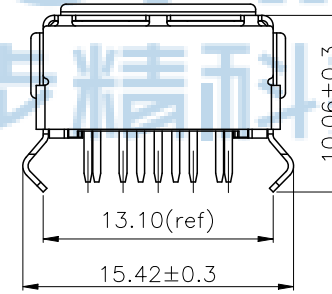
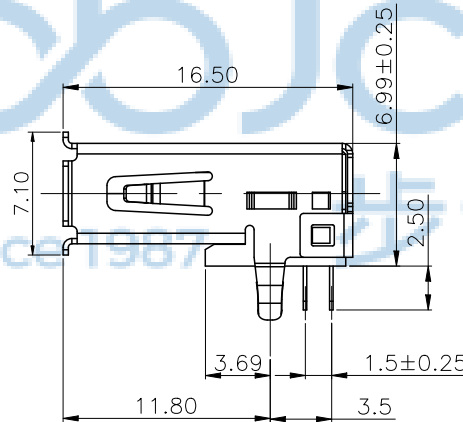
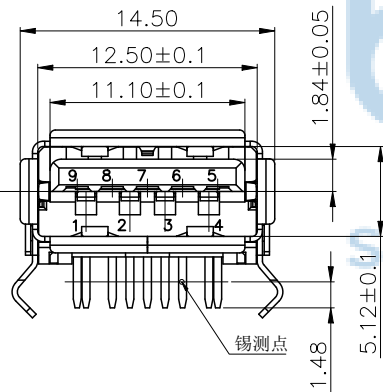
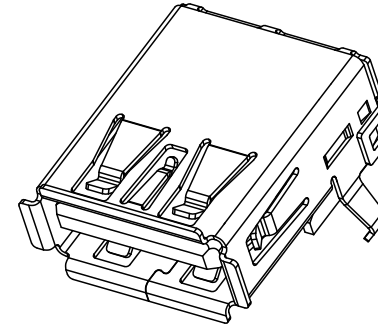
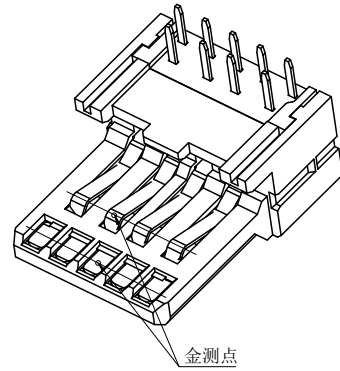
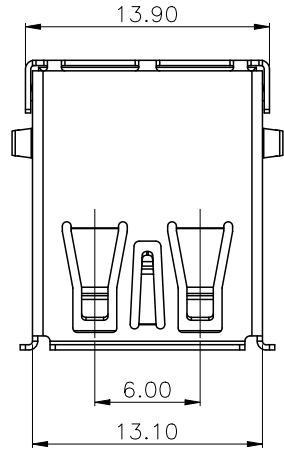
- CONTACT CURRENT RATING:
1.8 AMPERES FOR PIN1&PIN4.
0.25 AMPERES OTHER CONTACTS
- DIELECTRIC WITHSTANDING VOLTAGE:AC 100V(RMS)
- INSULATION RESISTANCE:100MΩ MIN.
- CONTACT RESISTANCE:
30mΩ MAX FOR PIN1&PIN4
50mΩMAX FOR OTHER CONTACTS
- MECHANICAL CHARACTERISTICS:
MATING FORCE:3.5KG Max.
UNMATING FORCE:1.0KG Min.
DURABILITY:1500 CYCLE.
- OPERATING TEMPERATURE:-55°C+85°C

二. MATERIAL:

HOUSING: LCP Blue.
CONTACTS: COPPER ALLOY.
SHELL: COPPER ALLOY.

三. FINISH:

CONTACTS: GOLD FLASH PLATED ON CONTACT AREA, [100M"] MIN..
BRIGHT-TIN ON SOLDER TAIL, WITH ENTIRE CONTACT UNDERPLATED [50M"] MIN.. NICKEL.
SHELL: [50M"] MIN. NICKEL UNDERPLATING OVER ALL.



THIS DOCUMENT IS THE SOLE PROPERTY OF BBJconn Technology Co.,Ltd. Corporation AND SHOULD NOT BE USED IN WHOLE PRIOR WRITTEN PERMISSION. PDWG NO: 0536-1

深圳市步步精科技有限公司

.X: ±0.38 X': ±3'
.XX: ±0.25 .X': ±2'
.XXX: ±0.13 .XX': ±1'

NAME: USB 3.0 AF 90度 L=16.50 H=6.99 后两脚弯插 端子DIP脚长2.5 卷边 LCP蓝胶 铜壳 盒装

APPD JM_Zheng
CHKD LYX
DR SGF

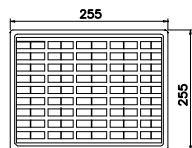
PJ NO: 127-272-090024-P2G
SIZE:A4 DRW NO:
FINISH:SEE NOTES MAT'L:SEE NOTES
SCALE:N/A REV:A0 UNIT:mm PAGE:1/2

REV	ECN NO	CONTENT	DATE	ENGINEER
AO		INITIAL RELEASE	/	SGF

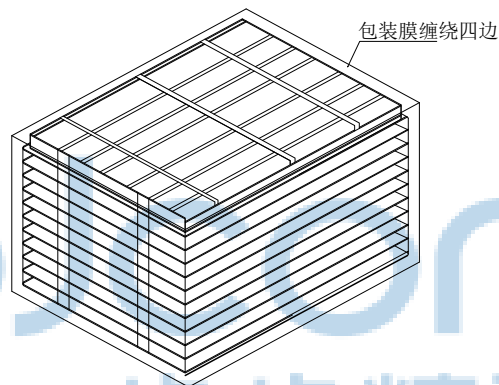
1-1 将USB 3.0 的成品整齐的装入真空盒底盒内.

备注:

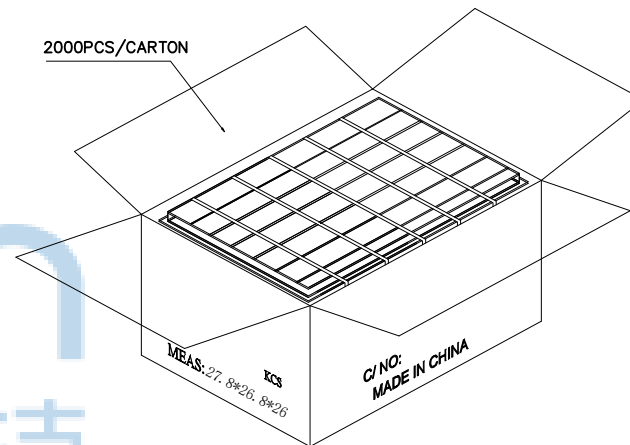
每盘装成品100PCS
真空壳规格: 长255*宽255*高10MM



2-1 每箱分2扎装, 每扎顶层放空盘1PCS: 每扎共10盘, 用PE膜扎成一扎; 每箱的数量小计:
 $(100*10) + (100*10) = 2000$ PCS



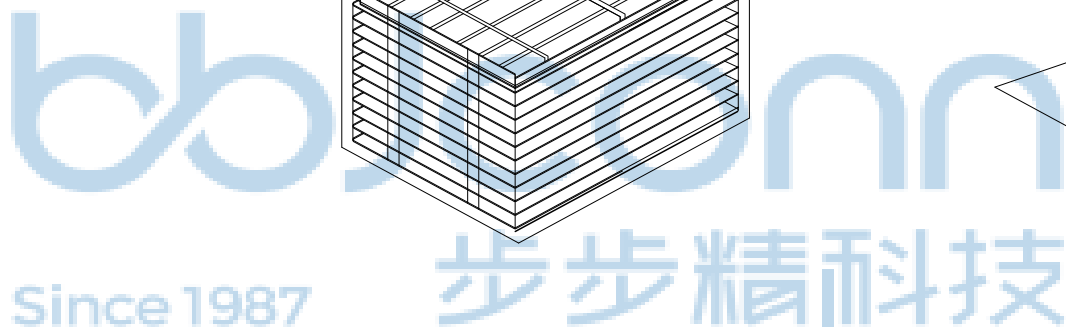
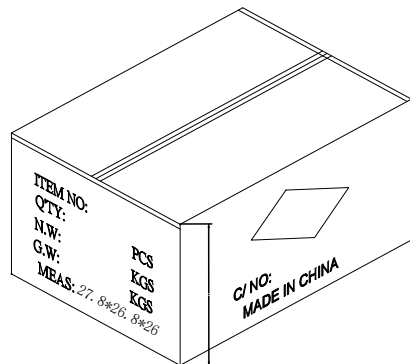
3-1 将2摞成品依次放入纸箱内. 备注:
纸箱规格: 长27.8*宽26.8*高26CM



4-1 纸箱开口处以透明胶带贴合.

4-2 若有未装满的零数箱, 必须以缓冲材塞满.

4-3 外标签贴在外箱侧麦左上角, 环保标签贴在外标签右上角.



THIS DOCUMENT IS THE
SOLE PROPERTY OF
BBJconn Technology Co.,Ltd.
Corporation AND SHOULD
NOT BE USED IN WHOLE
PRIOR WRITTEN PERMISSION.

深圳市步步精科技有限公司

.X: ±0.38 X': ±3"
.XX: ±0.25 .X': ±2"
.XXX: ±0.13 .XX': ±1"

NAME: USB 3.0 AF 90度 L=16.50 H=6.99 后两脚弯
插 端子DIP脚长2.5 卷边 LCP蓝胶 铜壳 盒装

APPD JM_Zheng

PJ NO: 127-272-090024-P2G

CHKD LYX

SIZE:A4 DRW NO:

DR SGF

FINISH:SEE NOTES MAT'L:SEE NOTES

PDWG NO: 0536-1

SCALE:N/A REV:AO UNIT:mm PAGE:2/2