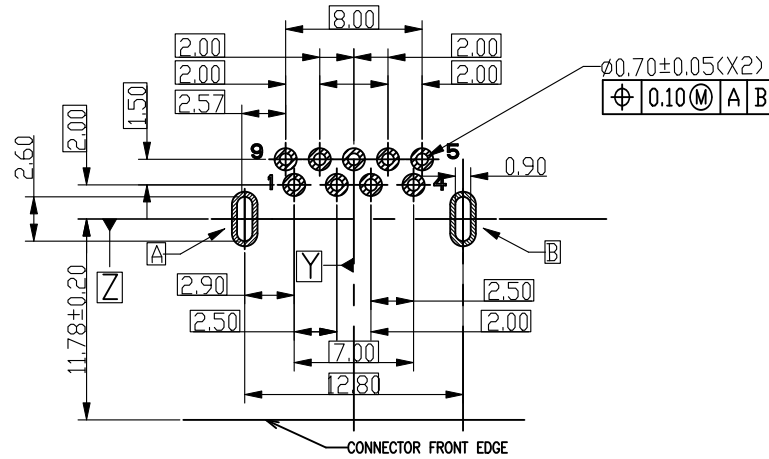
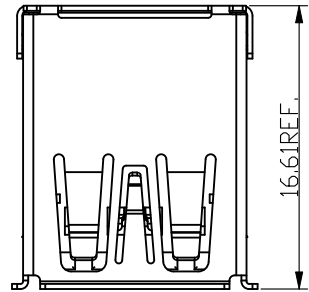
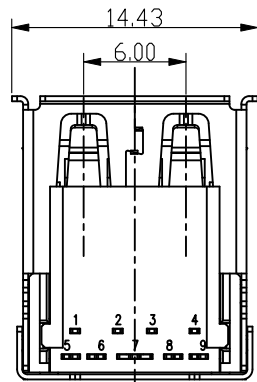
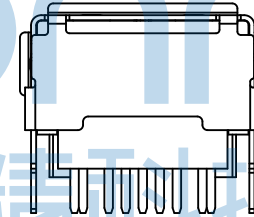
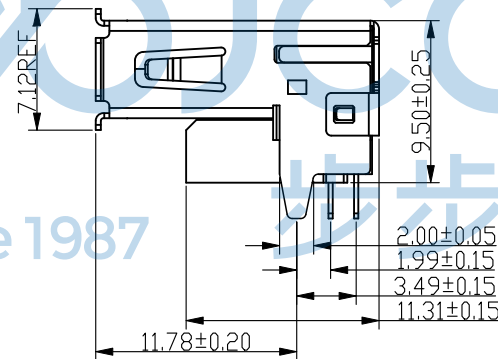
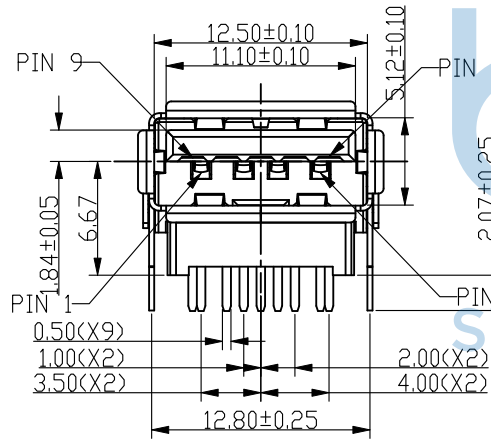


REV.	ECN NO	CONTENT	DATE	ENGINEER
AO				



- NOTES:
- ELECTRICAL CHARACTERISTIC:
 - LOW LEVEL CONTACT RESISTANCE:
 - INITIAL: 30 mΩ MAXIMUM FOR POWER AND GROUND CONTACTS.
 - 50 mΩ MAXIMUM FOR ALL OTHER CONTACTS.
 - AFTER: 10 mΩ MAXIMUM CHANGE.
 - DIELECTIC WITHSTANDING VOLTAGE: 100 VAC FOR ONE MINUTE AT SEA LEVEL.
 - INSULATION RESISTANCE: 100 MΩ MINIMUM.
 - MECHANICAL CHARACTERISTIC:
 - INSERTION FORCE: 35N (3.57 Kg) MAXIMUM.
 - EXTRACTION FORCE: INITIAL: 10N (1.02Kg) MINIMUM. AFTER: 8N (0.816Kg) MINIMUM.
 - PRODUCT Evaluation Report Number:TBD

REFERENCE PCB LAYOUT (THICKNESS: 1.60mm)
TOLERANCE: ± 0.05 mm



Pin #	SIGNAL NAME	DESCRIPTION
1	VBUS	POWER
2	D-	USB 2.0 DIFFERENTIAL PAIR
3	D+	DIFFERENTIAL PAIR
4	GND	GROUND FOR POWER RETURN
5	StdA_SSRX-	SUPERSPEED RECEIVER DIFFERENTIAL PAIR
6	StdA_SSRX+	
7	GND_DRAIN	GROUND FOR SIGNAL RETURN
8	StdA_SSTX-	SUPERSPEED TRANSMITTER DIFFERENTIAL PAIR
9	StdA_SSTX+	
Shell	Shield	CONNECTOR METAL SHELL

05	FLAT CONTACT	5	C2680/Au 1~30U [®] PLATED
04	SPRING CONTACT	4	C5191/Au1~30U [®] PLATED
03	COVER	1	PA9T&LCP/UL94 V-0 RATED HALOGEN-FREE
02	HOUSING	1	PA9T&LCP/UL94 V-0 RATED HALOGEN-FREE
01	SHELL	1	BRASS/T=0.3±0.02mm
ITEM	DESCRIPTION	Q'TY	MATERIAL/FINISH

THIS DOCUMENT IS THE SOLE PROPERTY OF BBJconn Technology Co.,Ltd Corporation AND SHOULD NOT BE USED IN WHOLE OR IN PART WITHOUT PRIOR WRITTEN PERMISSION.

PDWG.NO: 0536-1

深圳市步步精科技有限公司

NAME: USB 3.0 AF 90度 L=16.61 H=9.50 垫高款 后两脚插 直脚 卷边 LCP蓝胶 铜壳 盐雾24H

APPD. JM_Zheng

CHKD. LYX

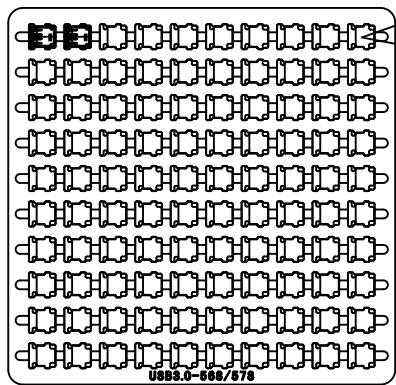
DR. TSP

PJ. NO.: 127-272-090028-P2G

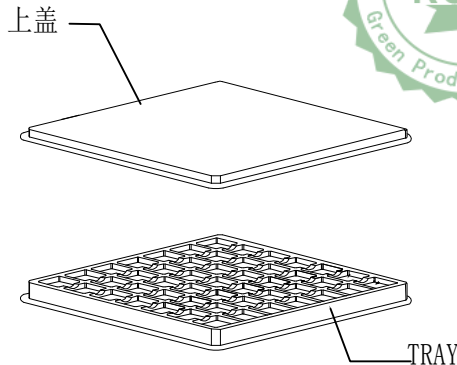
SIZE: A4 DRW NO.:

FINISH: SEE NOTES MAT'L.: SEE NOTES

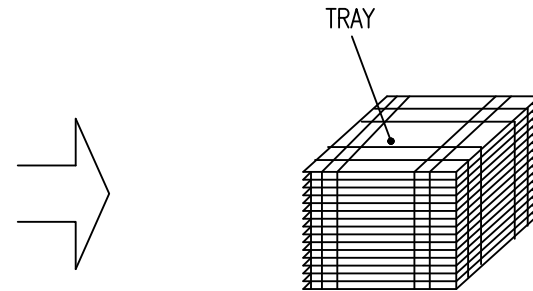
SCALE: N/A REV.: AO UNIT: mm PAGE: 1/2



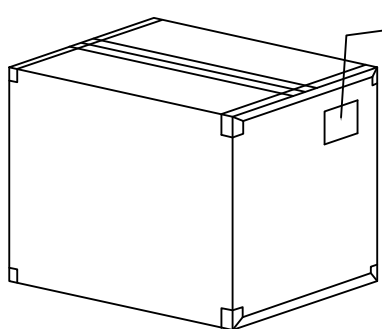
① PE真空格子盒 (100PCS/TRAY)



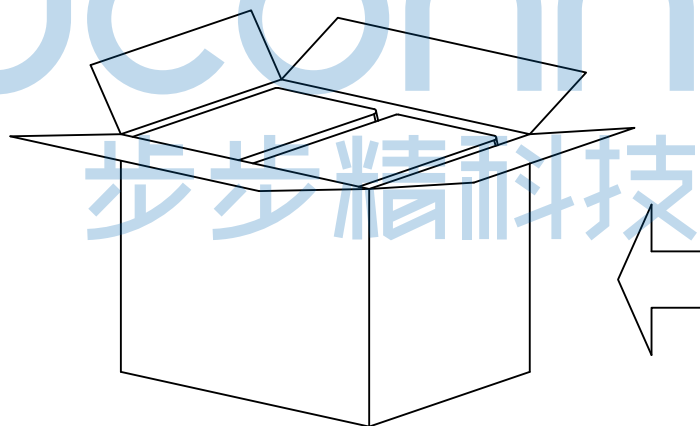
② 每盘上面放一个上盖



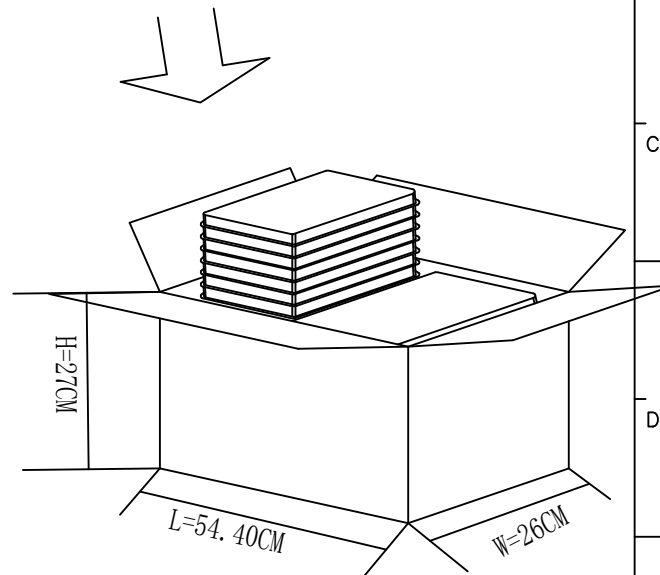
③ 100PCS/TRAY, 每9盘为一扎 (900PCS/扎)
每9盘为一扎用包装膜包“井”字型



外箱物料标签收



⑤ 每箱平放18盘*2, 若尾数箱在空间处加装填充物



④ 36盘/箱 (3600PCS)



- ⑥ 依图示粘贴产品或其它标签收
- ⑦ 外箱用透明胶纸带封“工”字型

备注:

1. PET真空盒1SET
2. 每盒装成品100PCS,
3. 每箱装36盒 (3.6KPCS); 并放干燥剂
4. 外箱尺寸与规格印刷; 详见包材图面
5. 外箱用透明胶纸带封“工”字型
6. 依外箱图示位置粘贴好产品或其它标签
(若客户另有贴标签要求, 则按其它单注明要求贴)

每箱数量	净重	毛重
3600PCS/箱	9.12 KG	14.14 KG

THIS DOCUMENT IS THE SOLE PROPERTY OF BBJconn Technology Co.,Ltd Corporation AND SHOULD NOT BE USED IN WHOLE OR IN PART WITHOUT PRIOR WRITTEN PERMISSION.		深圳市步步精科技有限公司	
.X: ±0.38 .XX: ±0.25 .XXX: ±0.13		X': ±3' .X': ±2' .XX': ±1'	
APPD. JM_Zheng		NAME: USB 3.0 AF 90度 L=16.61 H=9.50 垫高款 后两脚插 直脚 卷边 LCP蓝胶 铜壳 盐雾24H	
CHKD. LYX		PJ. NO.: 127-272-090028-P2G	
PDWG.NO: 0536-1		DR. TSP	
		SIZE: A4 DRW NO.:	
		FINISH: SEE NOTES MAT'L.: SEE NOTES	
		SCALE: N/A REV.: AO UNIT: mm PAGE: 2/2	