

REV	ECN NO	CONTENT	DATE	ENGINEER
A0		INITIAL RELEASE	/	SGF

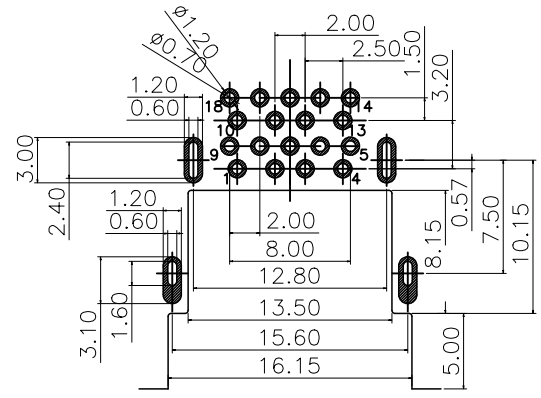
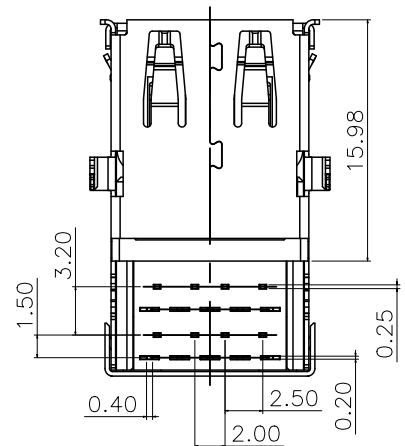
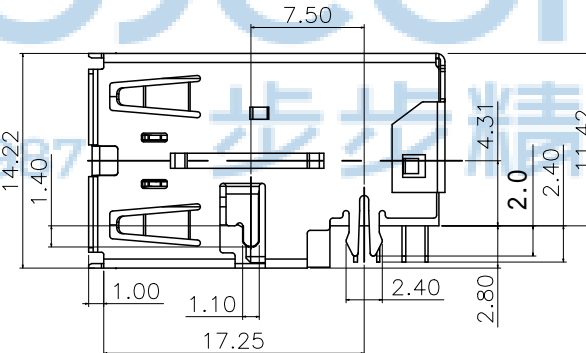
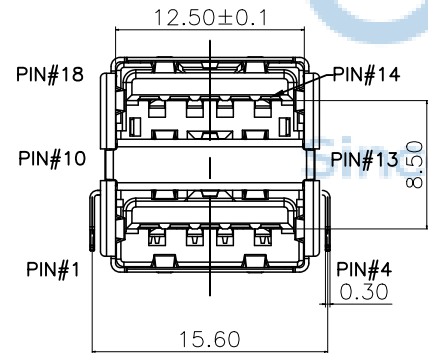
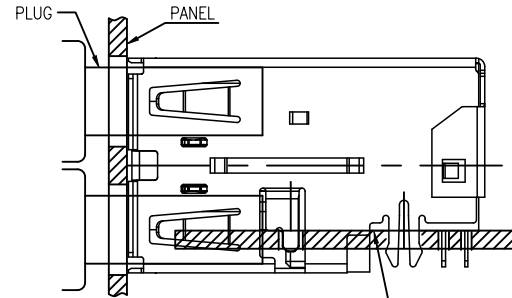
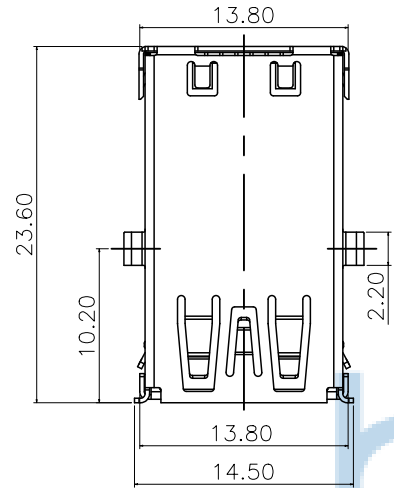
**SPECIFICATION:**

- Electrical characteristics**
  - 1-1: Voltage rating: DC 30V.
  - 1-2: Current rating: 1.8A(PIN1,4), other 0.25A
  - 1-3: Contact resistance: 30mΩ Max.(Initial)  
After test: 50mΩ Max.
  - 1-4: Insulation resistance: 100MΩ Min(500V DC).
  - 1-5: Withstanding voltage: 100V AC.
- Mechanical characteristics**
  - 2-1: Life test: 5000 cycles
  - 2-2: Mating force: 35N Max.  
Unmating force: Initial 10N Min.  
After: 8N Min.
- Wave Solder:** Resistance to solder heat 270°C, 5 sec.  
IR Reflow: Peak Temp 230-250°C, 20-90 sec.  
260°C, 3-5sec.

**NOTES:**

**MATERIAL:**

- HOUSING : PA9T 30%G/F UL94V-0, COLOR : BLUE(300C).
- COVER: PA10T 30%G/F UL94V-0, COLOR : BLUE(300C).
- CONTACTS : COPPER ALLOY
- MIDDLE SHELL: SUS301,
- SHELL: SUS304,

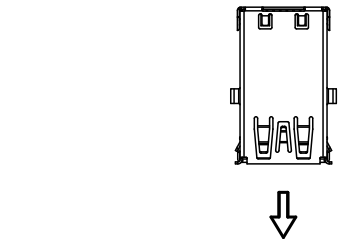


**RECOMMENDED P.C.B LAYOUT TOLERANCE: ±0.05(TOP VIEWS)**

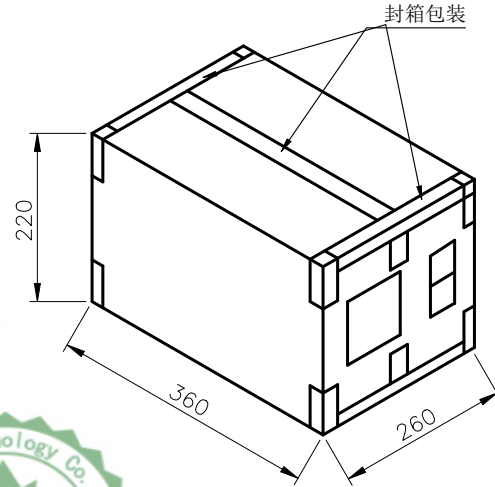
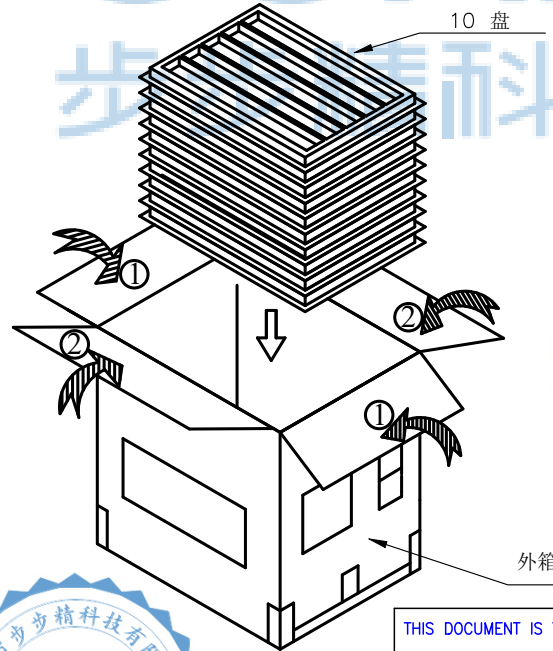
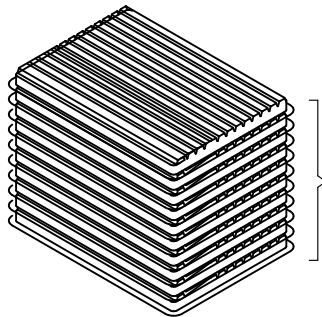
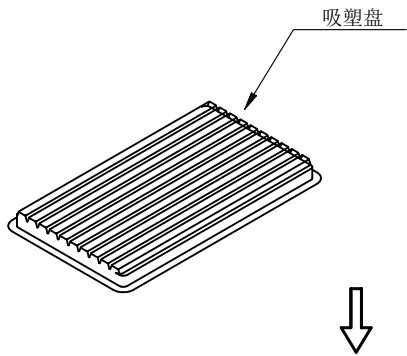
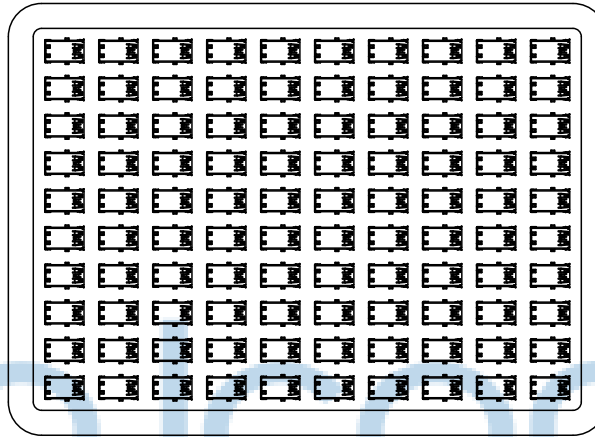
THIS DOCUMENT IS THE SOLE PROPERTY OF BBJconn Technology Co.,Ltd. Corporation AND SHOULD NOT BE USED IN WHOLE PRIOR WRITTEN PERMISSION.		<b>深圳市步步精科技有限公司</b>	
PDWG NO:0536-1		.X: ±0.38 .XX: ±0.25 .XXX: ±0.13	X': ±3' .X': ±2' .XX': ±1'
APPD	JM_Zheng	NAME:USB 3.0 AF 90度 双层 四脚插 端子DIP 沉板2.8 L=23.6 卷边 PA9T蓝胶 不锈钢外壳 盒装	
CHKD	LYX	PJ NO: 127-272-090030-P2G	SIZE:A4   DRW NO:
DR	SGF	FINISH:SEE NOTES	MAT'L:SEE NOTES
		SCALE:N/A	REV:A0   UNIT:mm   PAGE:1/2

REV	ECN NO	CONTENT	DATE	ENGINEER
A0		INITIAL RELEASE	/	SGF

- 1) 将成品一一放入包装盘内, 依同一方向放入.
- 2) 包装时, 依图所示.
- 3) 一个包装盘放置100个成品.
- 4) 依次往上叠放10盘, 产品方向保持一致, 上下各放一块硬纸板, 用PE膜将托盘两边缠绕再在托盘中间缠绕成#字形, (缠绕3~5圈, 用力要适当)
- 5) 每盘100PCS, 每箱10盘 (10盘 \*100PCS=1000PCS)



100 PCS/盘



7.50	6.50	100	10	1000
GROSS WEIGHT	NET WEIGHT	PCS/ TRAY	TRAYS/ CARTON	PCS/ CARTON

THIS DOCUMENT IS THE SOLE PROPERTY OF BBJconn Technology Co.,Ltd. Corporation AND SHOULD NOT BE USED IN WHOLE PRIOR WRITTEN PERMISSION.

**深圳市步步精科技有限公司**

.X: ±0.38 X': ±3'  
.XX: ±0.25 .X': ±2'  
.XXX: ±0.13 .XX': ±1'

NAME:USB 3.0 AF 90度 双层 四脚插 端子DIP 沉板2.8 L=23.6 卷边 PA9T蓝胶 不锈钢外壳 盒装

APPD JM\_Zheng

PJ NO: 127-272-090030-P2G

CHKD LYX

SIZE:A4 DRW NO:

PDWG NO:0536-1

DR SGF

FINISH:SEE NOTES MAT'L:SEE NOTES

SCALE:N/A REV:A0 UNIT:mm PAGE:2/2