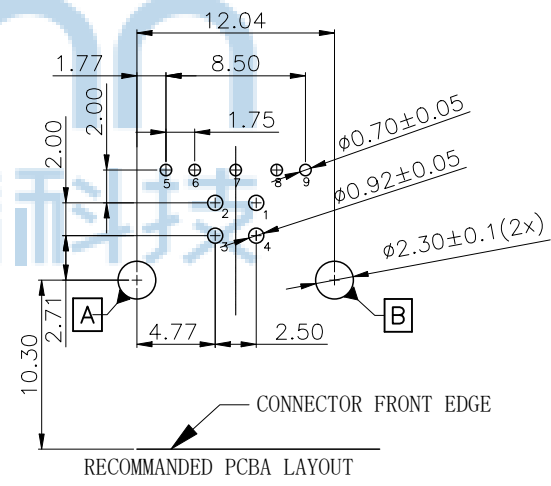
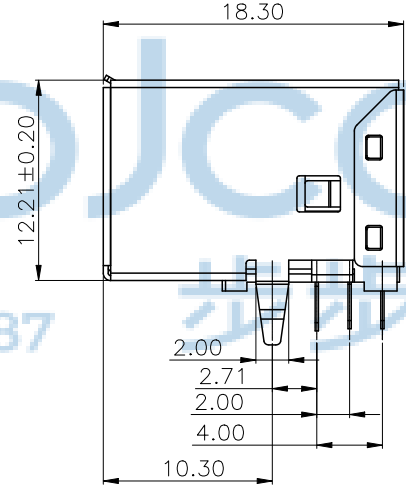
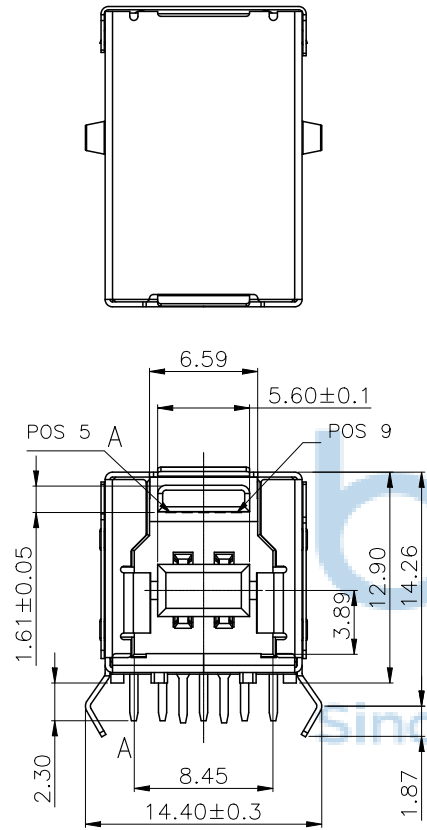


REV	ECN NO	CONTENT	DATE	ENGINEER
A0		INITIAL RELEASE	/	SGF

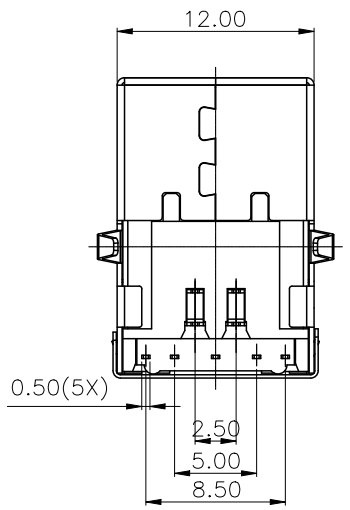


NOTE:

- MATERIAL:
 - INSULATOR:LCP UL 94V-0
 - CONTACT:COPPER (5PIN:T=0.20/4PIN:T=0.25)
 - SHELL:BRASS (T=0.30/T=0.20)
- ELECTRICAL CHARACTERISTICS;
 - CONTACTRESISTANCE:30mΩ MAXIMUM
 - CONTACT CURRENT RATING:1.5A
 - DIELECTRIC WITHSTANDING VOLTAGE:100VR. M. S.
 - INSULATION RESISTANCE 100 MEGOHMS MIN
 - OPERATING TEMPERATURE:-40° C ~ 85° C
- MECHANICAL CHARACTERISTICS:
 - MATING FORCE:3.57kg MAX
 - UNMATED FORCE:1.02kg MIN INITIAL/0.82kg MIN AFTER TEST.
 - DURABILITY:1,500 CYCLES MIN
- PLATING
TERMINAL:50u" MIN NICKEL ALL OVER 80u"MIN Tin
ON SOLDER AREA (1~30)u"Au ON CONTACT AREA
4.2 SHELL:NICEL PLATED



Pin NUMBER	SIGNAL NAME
1	VBUS
2	D-
3	D+
4	GND
5	StdB_SSTX-
6	StdB_SSTX+
7	GND_DRAIN
8	StdB_SSRX-
9	StdB_SSRX+
Shell	Shield



THIS DOCUMENT IS THE SOLE PROPERTY OF BBJconn Technology Co.,Ltd. Corporation AND SHOULD NOT BE USED IN WHOLE PRIOR WRITTEN PERMISSION.

PDWG NO: 0536-1

深圳市步步精科技有限公司

NAME: USB 3.0 B母 90度 两脚弯插 端子DIP
平口 L=18.3 铜壳 LCP蓝胶 盒装

PJ NO: 127-272-090032-P2G
SIZE:A4 DRW NO:

FINISH:SEE NOTES MAT'L:SEE NOTES
SCALE:N/A REV:A0 UNIT:mm PAGE:1/2

APPD	JM_Zheng
CHKD	LYX
DR	SGF

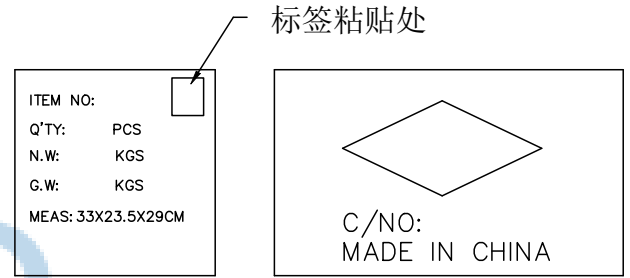
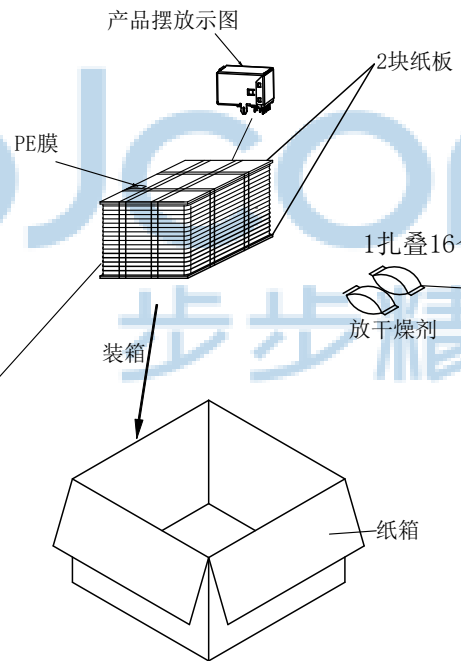
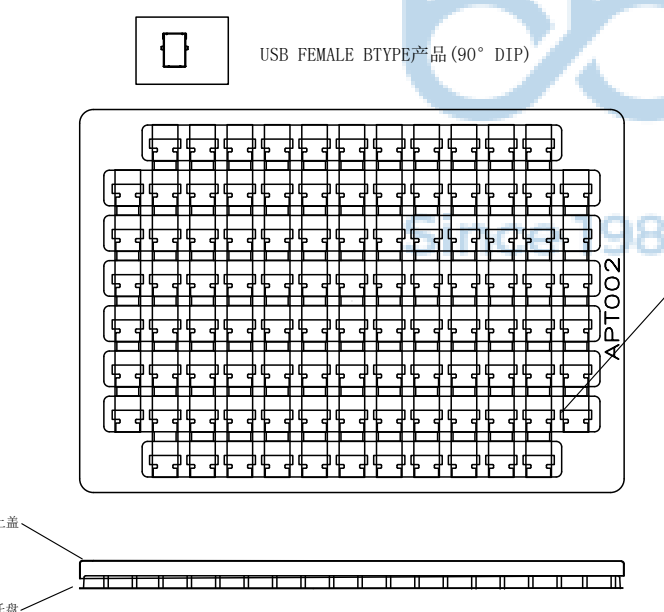
REV	ECN NO	CONTENT	DATE	ENGINEER
AO		INITIAL RELEASE	/	SGF

包装作业图示及说明 (PACKING OPERATION DIAGRAM & INSTRUCTION)

- 一:
- 1) 将成品一一放入包装盘内, 依同一方向放入.
 - 2) 包装时, 依图所示.
 - 3) 一个包装盘放置100个成品. 盖上托盘上盖.
 - 4) 依次往上叠放16盘, 产品方向保持一致, 上下各放一块硬纸板, 用PE膜将托盘两边缠绕再在托盘中间缠绕成#字形, (缠绕3~5圈, 用力要适当)

- 二:
- 1) 将1扎托盘放入纸箱内.
 - 2) 箱内放2包干燥剂
 - 3) 每箱装1600PCS成品

- 三:
- 1) 用透明胶将纸箱封实.
 - 2) 将标签(按要求打印好的)贴在纸箱侧麦上方.



备注 (REMARK)

- 1) 装不满一个外箱的, 用填充物填满未空空间或将纸箱割小至刚好装下.
- 2) 在搬运过程中要轻拿轻放.
- 3) 在运输中不可堆放过多, 不可有重压现象.



每箱数量	净重	毛重
1.6K套/箱	7.19KG	9.27KG

产品	90°	1600
透明胶	W=47	若干
PE膜	W=68	若干
干燥剂	1.2g/包	2包
纸板	314*224*3	2
托盘上盖	314*224*17	16
托盘	314*224*17	16
纸箱	330*235*290	1
品名	规格(mm)	用量(PCS)



THIS DOCUMENT IS THE SOLE PROPERTY OF BBJconn Technology Co.,Ltd. Corporation AND SHOULD NOT BE USED IN WHOLE PRIOR WRITTEN PERMISSION.

PDWG NO: 0536-1

深圳市步步精科技有限公司

NAME: USB 3.0 B母 90度 两脚弯插 端子DIP 平口 L=18.3 铜壳 LCP蓝胶 盒装

PJ NO: 127-272-090032-P2G

SIZE:A4 | DRW NO:

FINISH:SEE NOTES | MAT'L:SEE NOTES

SCALE:N/A | REV:AO | UNIT:mm | PAGE:2/2

APPD	JM_Zheng
CHKD	LYX
DR	SGF