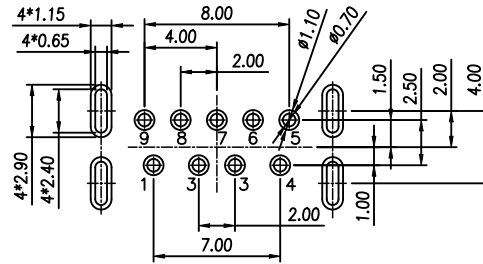
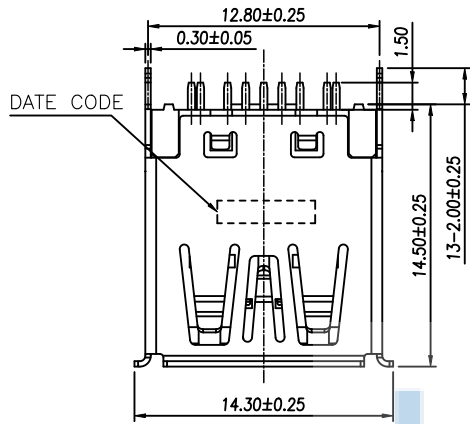
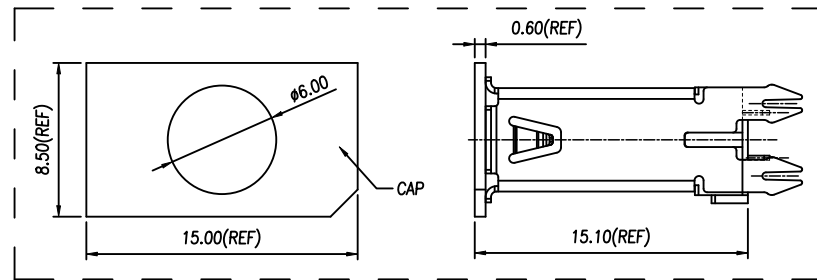
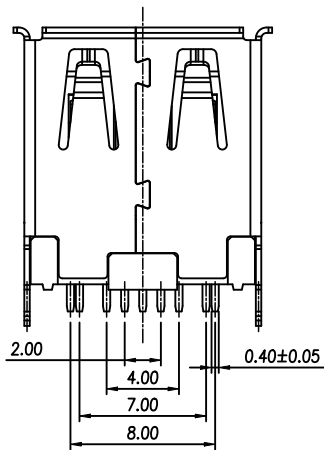
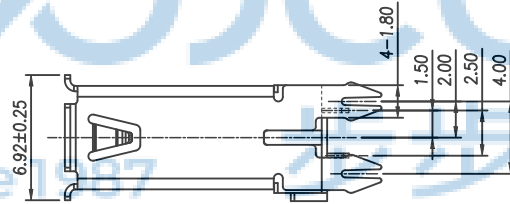
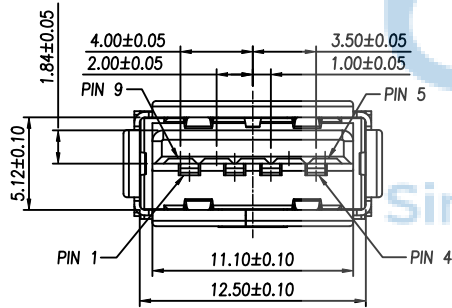


REV.	ECN NO	CONTENT	DATE	ENGINEER
A0		Initial release	/	GZY

- NOTE:
- MATERIAL:
 - INSULATOR:LCP, UL 94 V-0;COLCR BLUE 300C
 - 4PIN CONTACT:C5191(T=0.25mm)
 - 5PIN CONTACT:C2680(T=0.25mm)
 - SHELL:STAINLESS STEEL(T=0.30mm)
 - CAP:LCP, UL 94 V-0;COLCR BLACK
 - ELECTRICAL CHARACTERISTICS:
 - CURRENT RATING: 1.8A(PIN1, 4); OTHER CONTACTS 0.25A
 - VOLTAGE RATING: 30V DC/AC MAX.
 - CONTACT RESISTANCE: 30mΩ MAX. PIN1&PIN4
50mΩ MAX FOR OTHER CONTACTS.
 - DIELECTRIC WITHSTANDING VOLTAGE: 100V AC FOR 1 MINUTE.
 - INSULATION RESISTANCE: 100MΩ MIN.
 - MECHANICAL CHARACTERISTICS:
 - MATING FORCE: 35N(3.57 kgf) MAX.
 - MATING FORCE: 10N(1.02 kgf) MIN. (INITIAL); 8N (0.816 kgf) Min. (FINAL).
 - URABILITY: 5000 CYCLES.
 - PLATING SPECIFICATION:
 - CONTACTS: (SEE TABLE) GOLD PLATED ON CONTACT AREA,
100u" MIN. MATTE-TIN ON SOLDER TAIL, WITH
ENTIRE CONTACT UNDERPLATED 50u" MIN. NICKEL.
 - SHELL: 50u" MIN. NICKEL PLATED.



TOLERANCE: ± 0.05 ,
RECOMMENDED PCB LAYOUT
(TOP VIEW)



Pin NUMBER	SIGNAL NAME
1	VBUS
2	D-
3	D+
4	GND
5	StdA_SSRX-
6	StdA_SSRX+
7	GND_DRAIN
8	StdA_SSTX-
9	StdA_SSTX+
Shell	Shield



THIS DOCUMENT IS THE
SOLE PROPERTY OF
BBJconn Technology Co., Ltd.
Corporation AND SHOULD
NOT BE USED IN WHOLE
OR IN PART WITHOUT
PRIOR WRITTEN PERMISSION.
PDWG. NO: 0536-1

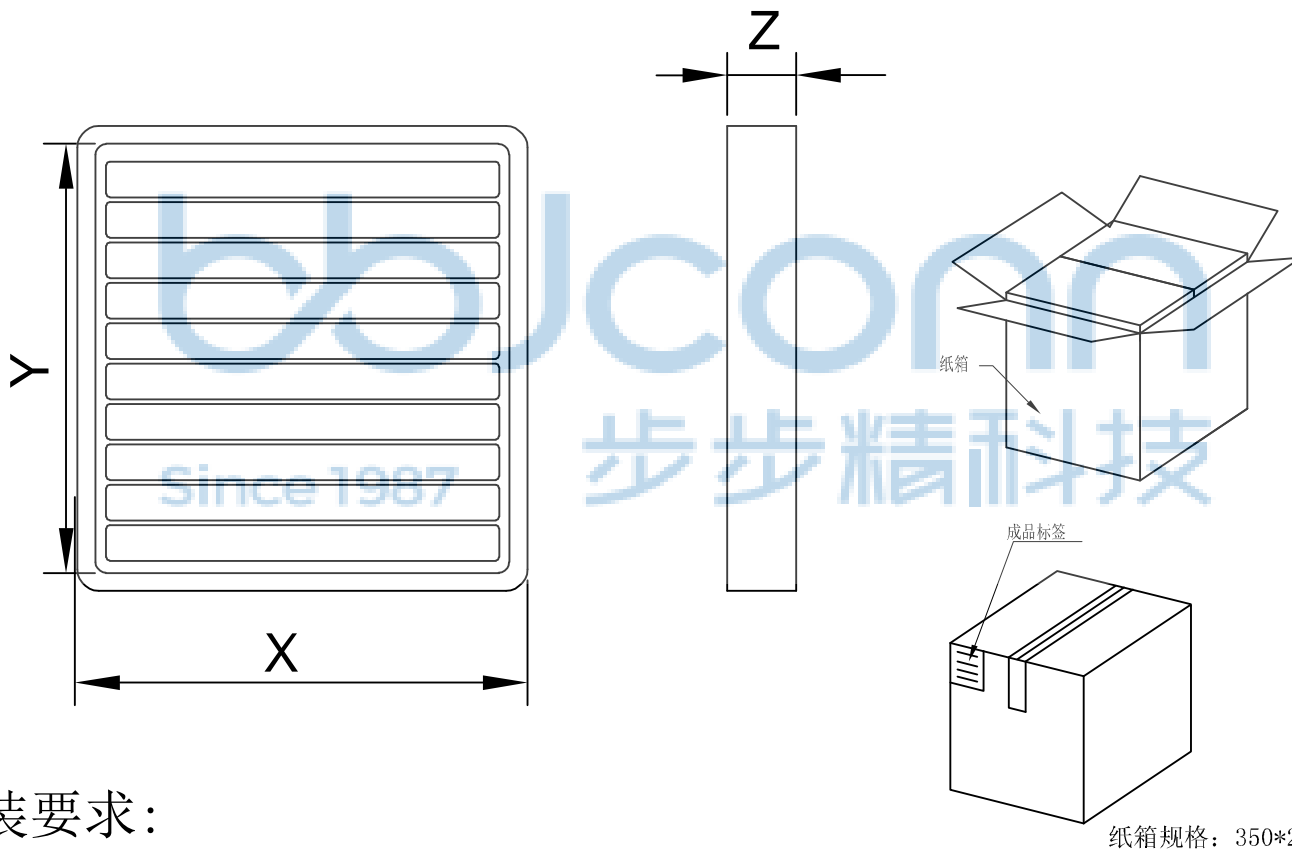
深圳市步步精科技有限公司

NAME: USB 3.0 AF 180度 四脚DIP 端子DIP
H=14.50 卷边 不锈钢外壳 LCP蓝胶 盒装

APPD. JM_Zheng
CHKD. LYX
DR. GZY

PJ. NO.: 127-275-090009-P2G
SIZE: A4 DRW NO.:
FINISH: SEE NOTES MAT'L.: SEE NOTES
SCALE: N/A REV.: A0 UNIT: mm PAGE: 1/2

REV.	ECN NO	CONTENT	DATE	ENGINEER
A0		Initial release	/	GZY



1. 包装要求:
- 1.1 每盒吸塑盒包装100pcs;
 - 1.2 每30盘放一箱, 共计3000PCS;
 - 1.3 纸箱外贴上标签。

THIS DOCUMENT IS THE SOLE PROPERTY OF BBJconn Technology Co.,Ltd. Corporation AND SHOULD NOT BE USED IN WHOLE OR IN PART WITHOUT PRIOR WRITTEN PERMISSION. PDWG:NO: 0536-1		深圳市步步精科技有限公司 .X: ±0.38 .XX: ±0.25 .XXX: ±0.13 X': ±3" .X': ±2" .XX': ±1"		NAME: USB 3.0 AF 180度 四脚DIP 端子DIP H=14.50 卷边 不锈钢外壳 LCP蓝胶 盒装 PJ. NO.: 127-275-090009-P2G SIZE: A4 DRW NO.: FINISH: SEE NOTES MAT'L.: SEE NOTES SCALE: N/A REV.: A0 UNIT: mm PAGE: 2/2	
APPD.	JM_Zheng				
CHKD.	LYX				
DR.	GZY				