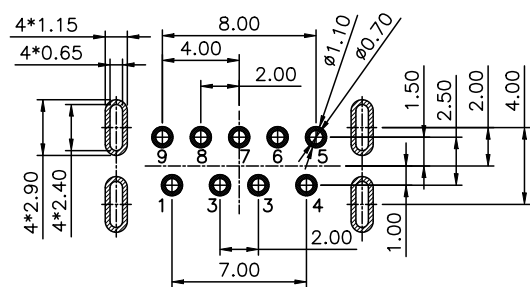
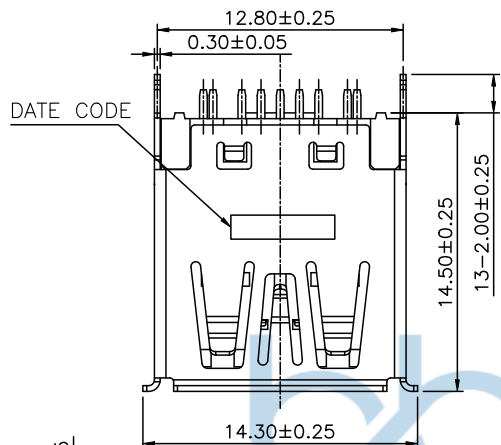
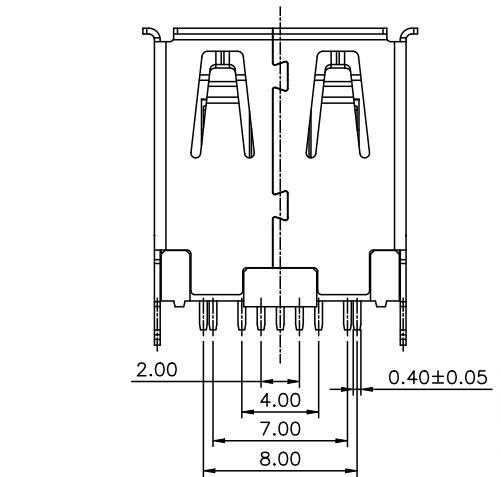
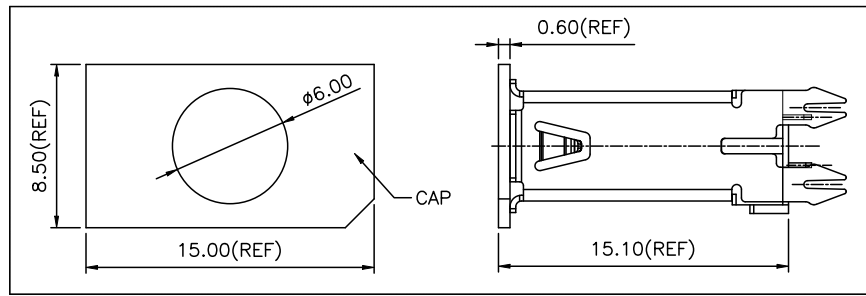
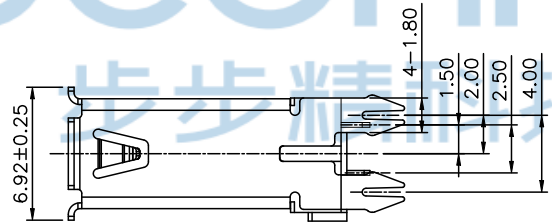
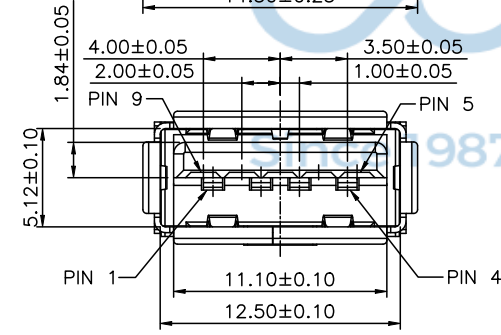


REV	ECN NO	CONTENT	DATE	ENGINEER
A0		INITIAL RELEASE	/	LYX



TOLERANCE: ±0.05,  
RECOMMENDED PCB LAYOUT  
(TOP VIEW)



- NOTE:
- MATERIAL:
    - INSULATOR:LCP, UL 94 V-0;COLCR BLUE 300C
    - 4PIN CONTACT:C5191(T=0.25mm)
    - 5PIN CONTACT:C2680(T=0.25mm)
    - SHELL:STAINLESS STEEL(T=0.30mm)
    - CAP:LCP, UL 94 V-0;COLCR BLACK
  - ELECTRICAL CHARACTERISTICS:
    - CURRENT RATING: 1.8A(PIN1, 4); OTHER CONTACTS 0.25A
    - VOLTAGE RATING: 30V DC/AC MAX.
    - CONTACT RESISTANCE: 30mΩ MAX. PIN1&PIN4 50mΩ MAX FOR OTHER CONTACTS.
    - DIELECTRIC WITHSTANDING VOLTAGE: 100V AC FOR 1 MINUTE.
    - INSULATION RESISTANCE: 100MΩ MIN.
  - MECHANICAL CHARACTERISTICS:
    - MATING FORCE: 35N(3.57 kgf) MAX.
    - MATING FORCE: 10N(1.02 kgf) MIN. (INITIAL); 8N (0.816 kgf) Min. (FINAL).
    - URABILITY: 5000 CYCLES.
  - PLATING SPECIFICATION:
    - CONTACTS: (SEE TABLE) GOLD PLATED ON CONTACT AREA, 100u" MIN. MATTE-TIN ON SOLDER TAIL, WITH ENTIRE ONTACT UNDERPLATED 50u" MIN. NICKEL.
    - SHELL: 50u" MIN. NICKEL PLATED.

Pin NUMBER	SIGNAL NAME
1	VBUS
2	D-
3	D+
4	GND
5	StdA_SSRX-
6	StdA_SSRX+
7	GND_DRAIN
8	StdA_SSTX-
9	StdA_SSTX+
Shell	Shield



THIS DOCUMENT IS THE SOLE PROPERTY OF BBJconn Technology Co.,Ltd. Corporation AND SHOULD NOT BE USED IN WHOLE PRIOR WRITTEN PERMISSION.

PDWG NO: 0536-1

**深圳市步步精科技有限公司**

NAME: USB3.0 AF180度 L=14.50 四脚插鱼叉脚 卷边 LCP蓝胶 不锈钢壳 DIP 吸塑盒

PJ NO: 127-275-090011-P2G

SIZE:A4 DRW NO:

FINISH:SEE NOTES MAT'L:SEE NOTES

SCALE:N/A REV:A0 UNIT:mm PAGE:1/2

APPD: JM\_Zheng

CHKD: Tang

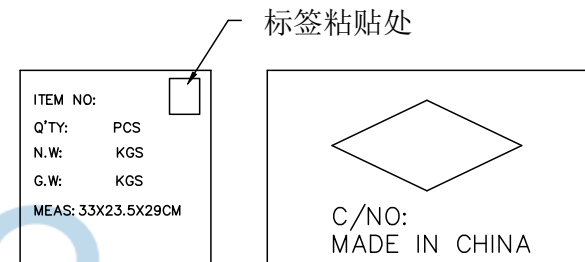
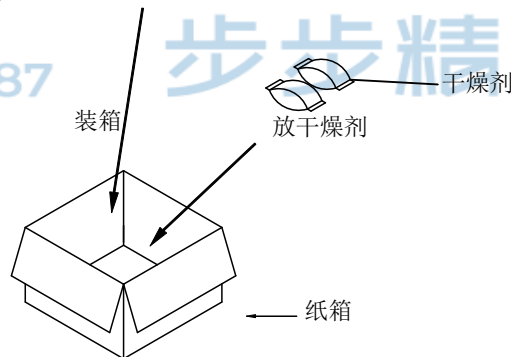
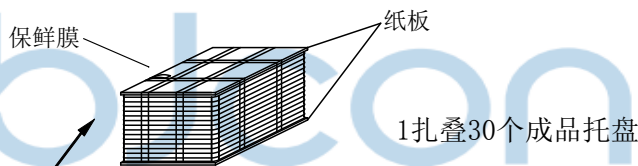
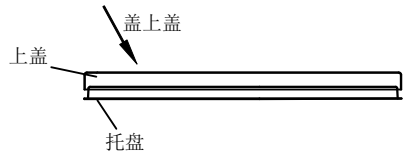
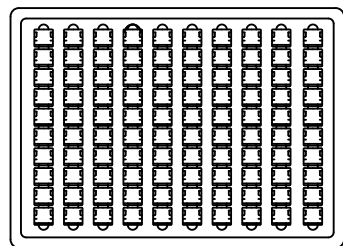
DR: LYX

## 包装作业图示及说明 (PACKING OPERATION DIAGRAM & INSTRUCTION)

- 一：
- 1) 将成品一一放入包装盘内，依同一方向放入。
  - 2) 包装时，依图所示。
  - 3) 一个吸塑盘放置100个成品。
  - 4) 依次往上叠放30盘，产品方向保持一致，上下各放一块硬纸板，用PE膜将托盘两边缠绕(PE鲜膜距托盘边约50mm)再在托盘中间缠绕成#字形为一扎，(缠绕3~5圈.用力要适当)

- 二：
- 1) 将一扎托盘放入纸箱中。
  - 2) 纸箱内放2包干燥剂
  - 3) 每箱装3000PCS成品

- 三：
- 1) 用透明胶将纸箱封实。
  - 2) 将标签(按要求打印好的)贴在纸箱侧麦上方。



### 备注 (REMARK)

- 1) 装不满一个外箱的，用填充物填满未装空间或将纸箱割小至刚好装下。
- 2) 在搬运过程中要轻拿轻放。
- 3) 在运输中不可堆放过多，不可有重压现象。
- 4) 跌落测试条件:成品箱子从1.0米高自由落体:(三棱六面一角)  
检验项目:1. 产品不可跑出包装盘凹槽。  
2. 产品不可有摔伤, 变形。  
3. 外箱及内包装材料不可严重破损。

产品	料号	沉板 SMT&DIP	3000
透明胶		W=47	若干
PE膜		W=68	若干
干燥剂		1. 2g/包	2包
纸板		314*224*3	2
托盘		314*224*9	30
纸箱		330*235*290	1
品名	料号	规格(mm)	用量(PCS)



THIS DOCUMENT IS THE SOLE PROPERTY OF BBJconn Technology Co.,Ltd. Corporation AND SHOULD NOT BE USED IN WHOLE PRIOR WRITTEN PERMISSION. PDWG NO: 0536-1

**深圳市步步精科技有限公司**

.X: ±0.38 .XX: ±0.25 .XXX: ±0.13	X': ±3' .X': ±2' .XX': ±1'	NAME: USB3.0 AF180度 L=14.50 四脚插鱼叉脚 卷边 LCP蓝胶 不锈钢壳 DIP 吸塑盒
APPD	JM_Zheng	PJ NO: 127-275-090011-P2G
CHKD	Tang	SIZE:A4   DRW NO:
DR	LYX	FINISH:SEE NOTES   MAT'L:SEE NOTES
		SCALE:N/A   REV:A0   UNIT:mm   PAGE:2/2