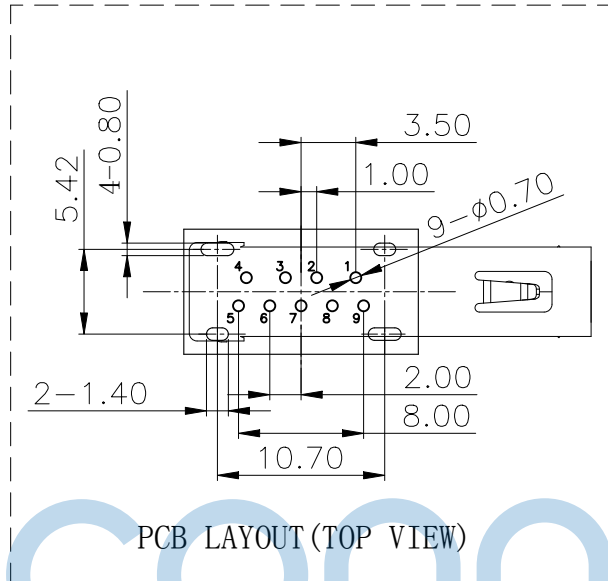
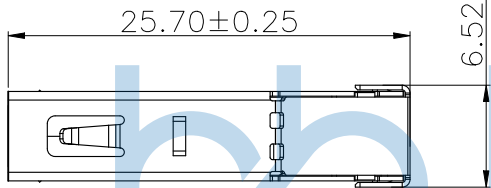
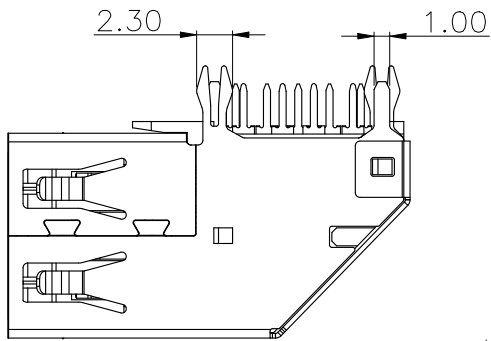
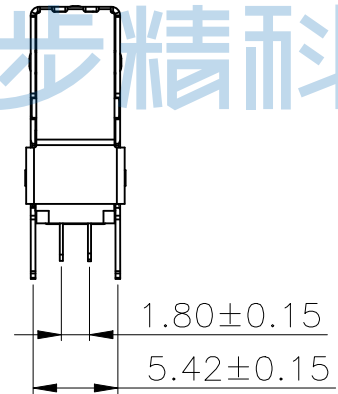
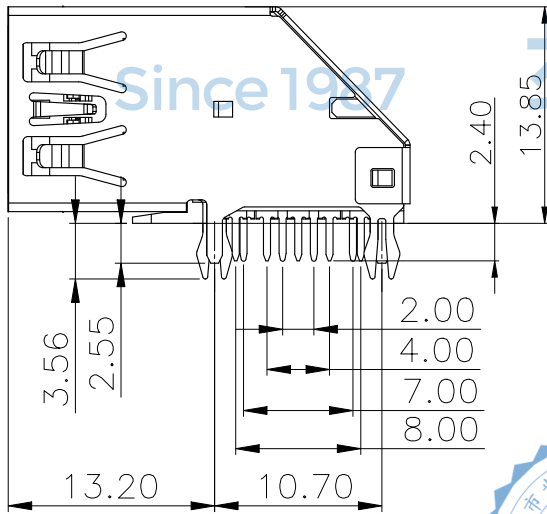
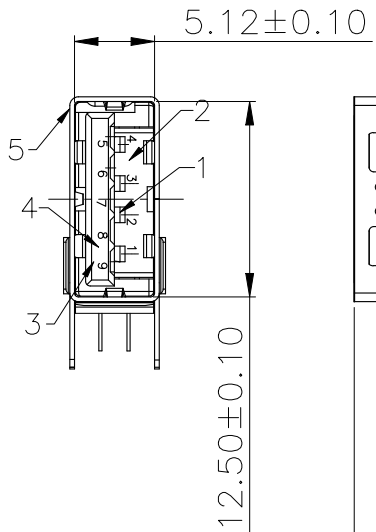


REV.	ECN NO.	CONTENT	DATE	ENGINEER
A0		Initial release	/	TSP



SPECIFICATIONS:
 Contact current Rating:
 1.8 Amperes for pin1&pin4.
 0.25 Amperes other contacts
 Dielectric Withstanding Voltage:AC 100V(RMS)
 Insulation resistance:100Megohms Minimum.
 Contact Resistance:
 30mΩ Max for pin1&pin4
 50mΩMax for other contacts
 Mechanical Characteristics:
 Mating Force:35 Newtons.Maximum
 Unmating Force:10 Newtons.Mlimum.
 Operating Temperature:-40 °C+85 °C



Pin Number	Signal Name	Pin Number	Signal Name
1	VBUS	5	SSRX-
2	D-	6	SSRX+
3	D+	7	GND
4	GND	8	SSTX-
Shell	Shield	9	SSRT+

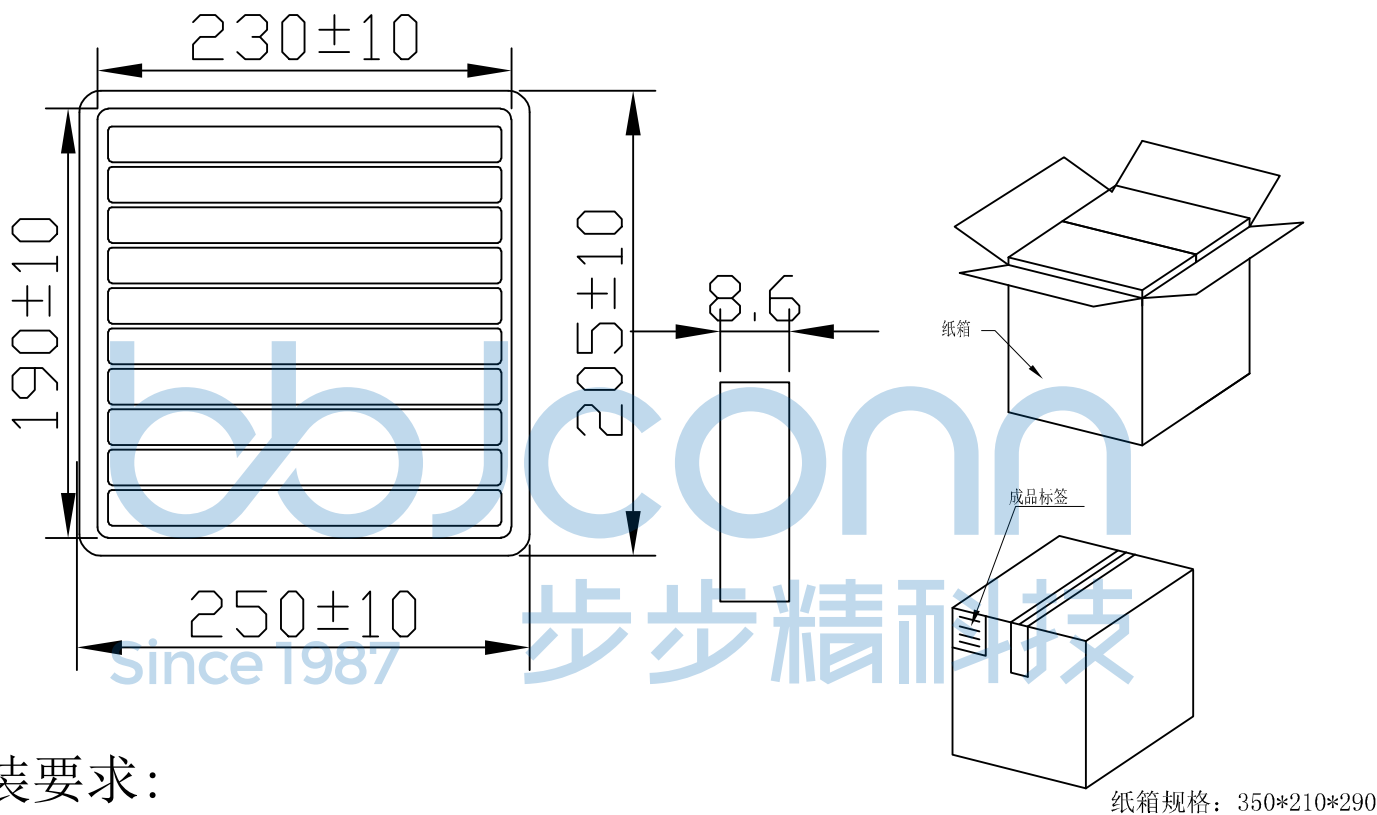
ITEM	PART NAME	Material	Q'TY	REMARK
1	4P Semi-	Housing LCP&PBT	1	Black &Blue UL94V-0
2	manufactured Goods	Contact COPPER ALLOY	4	T=0.25 Plating Gild/Tin
3	5P Semi-	Housing LCP&PBT	1	Black &Blue UL94V-0
4	manufactured Goods	Contact COPPER ALLOY	5	T=0.25 Plating Gild/Tin
5	Shell	Stainless Steel	1	T=0.3



THIS DOCUMENT IS THE SOLE PROPERTY OF BBJconn Technology Co.,Ltd. Corporation AND SHOULD NOT BE USED IN WHOLE OR IN PART WITHOUT PRIOR WRITTEN PERMISSION.
 PDWG.NO: 0536-1


深圳市步步精科技有限公司

NAME: USB 3.0 AF 侧插 小鱼叉脚 端子DIP L=25.70 反向胶芯 平口 LCP蓝胶 不锈钢外壳	PJ. NO.: 127-278-090001-P2G
SIZE: A4 DRW NO.:	
FINISH: SEE NOTES MAT'L.: SEE NOTES	
SCALE: N/A REV.: A0 UNIT: mm PAGE: 1/2	



1. 包装要求:

- 1.1 每盒吸塑盒包装100pcs;
- 1.2 每20盘放一箱, 共计2000PCS;
- 1.3 纸箱外贴上标签。

THIS DOCUMENT IS THE SOLE PROPERTY OF BBJconn Technology Co.,Ltd. Corporation AND SHOULD NOT BE USED IN WHOLE OR IN PART WITHOUT PRIOR WRITTEN PERMISSION.		 深圳市步步精科技有限公司	
PDWG.NO: 0536-1		.X: ±0.38 .XX: ±0.25 .XXX: ±0.13	X*: ±3* .X*: ±2* .XX*: ±1*
APPD.	JM_Zheng	NAME: USB 3.0 AF 侧插 小鱼叉脚 端子DIP L=25.70 反向胶芯 平口 LCP蓝胶 不锈钢外壳	
CHKD.	LYX	PJ. NO.: 127-278-090001-P2G	
DR.	TSP	SIZE: A4 DRW NO.:	
		FINISH: SEE NOTES MAT'L.: SEE NOTES	
		SCALE: N/A REV.: A0 UNIT: mm PAGE: 2/2	