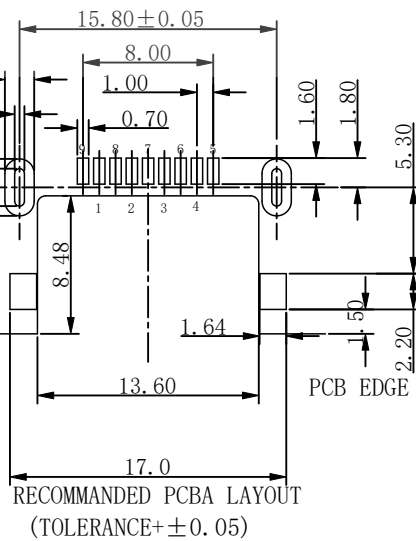
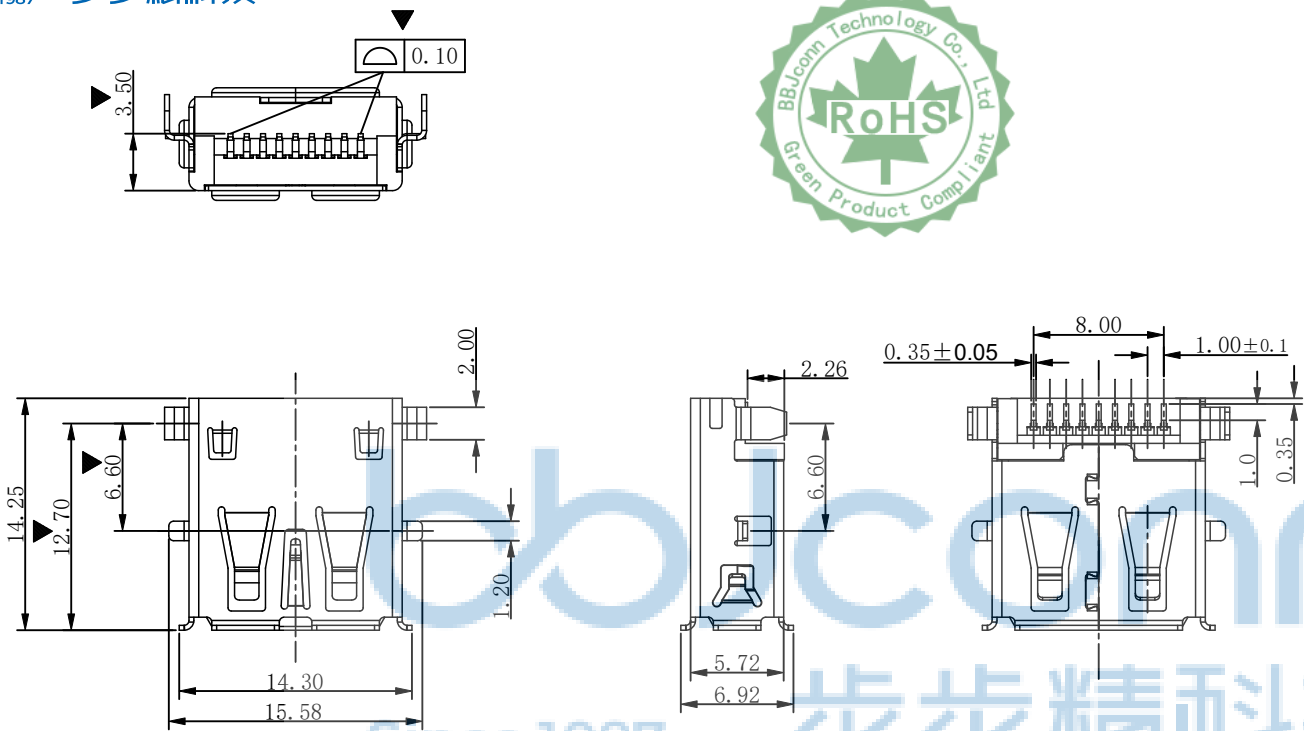




| REV. | ECN NO. | CONTENT         | DATE | ENGINEER |
|------|---------|-----------------|------|----------|
| A0   |         | Initial release | /    | SGF      |

NOTE:

- MATERIAL:
  - INSULATOR: LCP/PA9T UL 94V-0
  - CONTACT: BRONZE (T=0.20mm)
  - SHELL: BRASS/SPCC/STAINLESS STEEL (T=0.30mm)
- ELECTRICAL CHARACTERISTICS:
  - CONTACT RESISTANCE: 30mΩ MAXIMUM
  - CONTACT CURRENT RATING: 1.5A
  - DIELECTRIC WITHSTANDING VOLTAGE: 500 V R. M. S.
  - INSULATION RESISTANCE 1000 MEGOHMS MIN
  - OPERATING TEMPERATURE: -40° C ~ 85° C
- MECHANICAL CHARACTERISTICS:
  - MATING FORCE: 3.57kg MAX
  - UNMATED FORCE: 1.02kg MIN
  - DURABILITY: MANDATORY: 1500 CYCLES
- PLATING:
  - TERMINAL:
    - 50u" MIN NICKEL ALL OVER
    - 100u" MIN Tin ON SOLDER AREA
    - (1~30)u" Au ON CONTACT AREA
  - SHELL: 50u" MIN. NICEL ALL OVER
  - "▼" FOR MAJOR DIM



| Pin NUMBER   | SIGNAL NAME |
|--------------|-------------|
| 1            | VBUS        |
| 2            | D-          |
| 3            | D+          |
| 4            | GND         |
| 5            | StdA_SSRX-  |
| 6            | StdA_SSRX+  |
| 7            | GND_DRAIN   |
| 8            | StdA_SSTX-  |
| 9            | StdA_SSTX+  |
| Shell Shield |             |

THIS DOCUMENT IS THE SOLE PROPERTY OF BBJconn Technology Co., Ltd. Corporation AND SHOULD NOT BE USED IN WHOLE OR IN PART WITHOUT PRIOR WRITTEN PERMISSION.  
PDWG. NO: 0886-1

**深圳市步步精科技有限公司**

NAME: USB 3.0 A母 沉板2.26 SMT 两脚插+两脚插 卷边 铁壳 LCP蓝胶 L=14.25 盒装

APPD. JM\_Zheng

CHKD. LYX

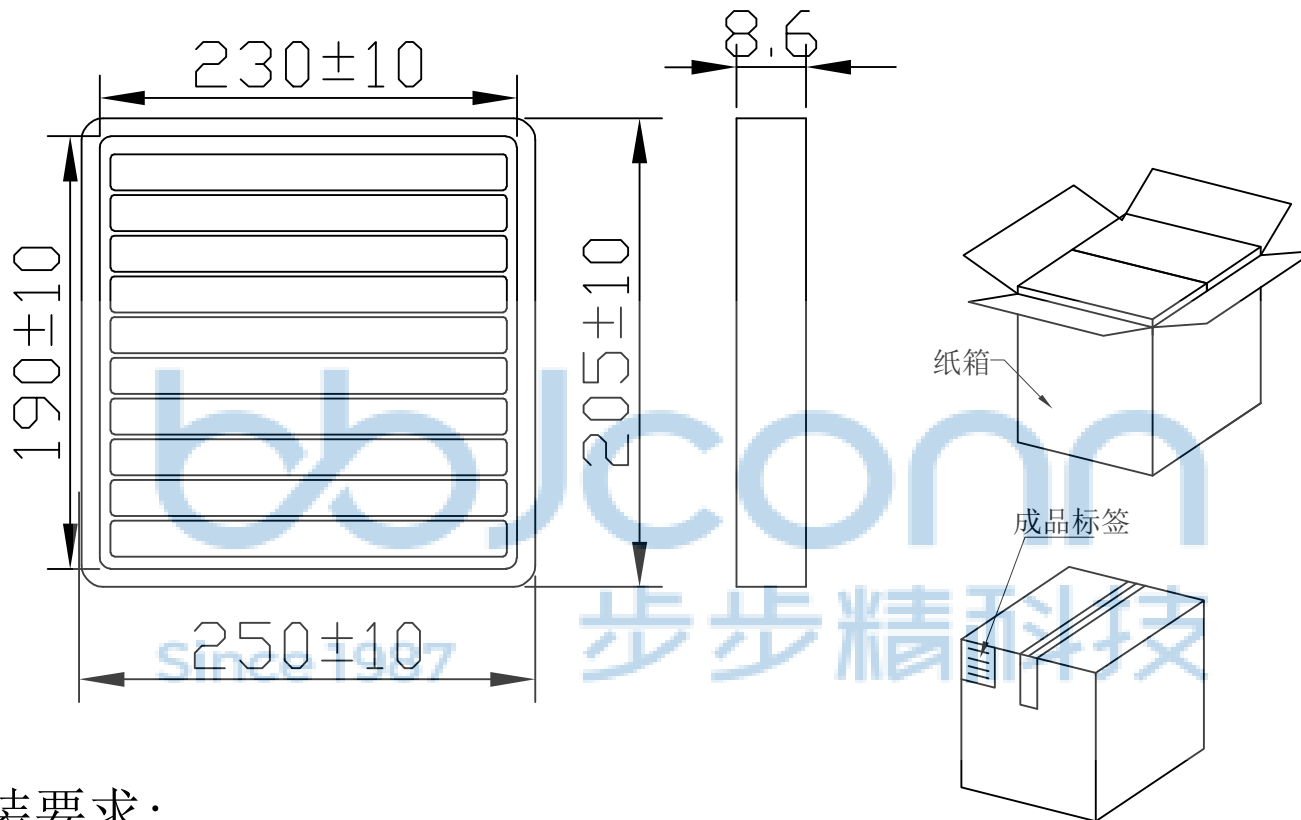
DR. SGF

PJ. NO.: 127-271-090002-K4G

SIZE: A4 DRW NO.:

FINISH: SEE NOTES MAT'L.: SEE NOTES

SCALE: N/A REV.: A0 UNIT: mm PAGE: 1/2



纸箱规格：350\*210\*290

1. 包装要求:

- 1.1 每盒吸塑盒包装100pcs;
- 1.2 每20盘放一箱, 共计2000PCS;
- 1.3 纸箱外贴上标签。

|   |          |  |                                  |
|---|----------|--|----------------------------------|
| THIS DOCUMENT IS THE SOLE PROPERTY OF BBJconn Technology Co., Ltd. Corporation AND SHOULD NOT BE USED IN WHOLE OR IN PART WITHOUT PRIOR WRITTEN PERMISSION. |          |  深圳市步步精科技有限公司 |                                  |
| PDWG. NO: 0886-1  |          | .X: ±0.38<br>.XX: ±0.25<br>.XXX: ±0.13   | X': ±3'<br>.X': ±2'<br>.XX': ±1' |
| APPD.   | JM_Zheng | NAME: USB 3.0 A母 沉板.26 SMT 两脚插+两脚贴<br>卷边 铁壳 LCP蓝胶 L=14.25 盒装                                       |                                  |
| CHKD.   | LYX      | PJ. NO.: 127-271-090002-K4G  |                                  |
| DR.   | SGF      | SIZE: A4 DRW NO.:  |                                  |
|   |          | FINISH: SEE NOTES MAT'L.: SEE NOTES  |                                  |
|   |          | SCALE: N/A REV.: A0 UNIT: mm PAGE: 2/2   |                                  |