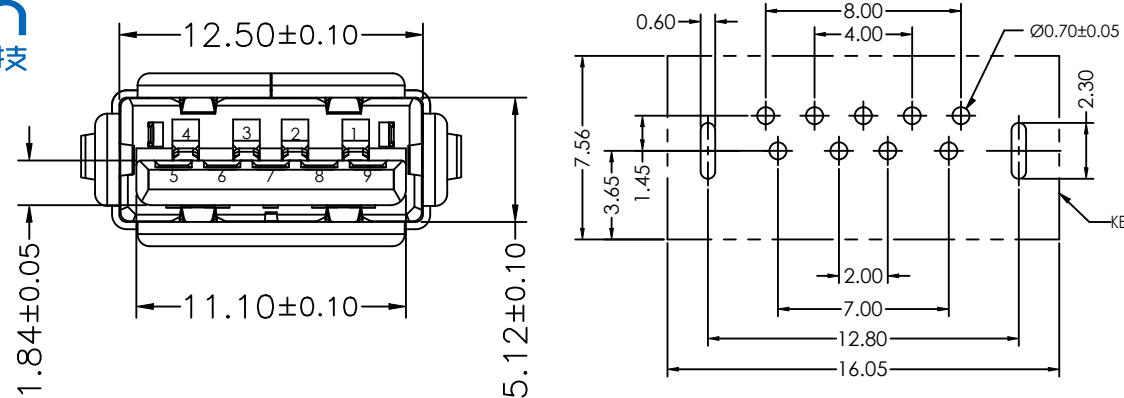
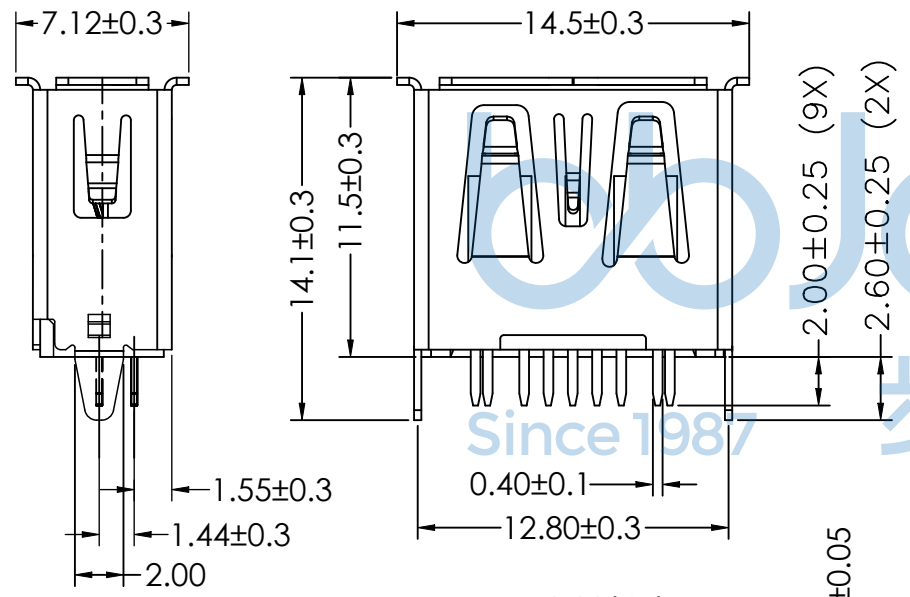


REV.	ECN NO	CONTENT	DATE	ENGINEER
A0		Initial release	/	TSP

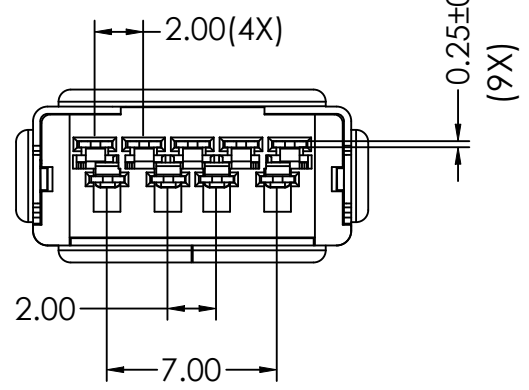


Recommended PCB Layout
PCB Thickness=1.8±0.1mm

- NOTE:
- MATERIAL:
 - INSULATOR:HIGH TEMPERATURE PLASTIC LCP
 - CONTACT:BRONZE
 - SHELL:BRASS
 - ELECTRICAL CHARACTERISTICS;
 - CONTACT RESISTANCE:30mΩ MAX
 - CONTACT CURRENT RATING:1.5A
 - DIELECTRIC WITHSTANDING VOLTAGE:100 V R. M. S.
 - INSULATION RESISTANCE 100 MΩ MIN
 - OPERATING TEMPERATURE:-40° C ~ 85° C
 - MECHANICAL CHARACTERISTICS:
 - MATING FORCE:3.57kgf MAX
 - UNMATING FORCE:1.02kgf MIN
 - DURABILITY:MANDATORY:1,500 CYCLES
 - PLATING
 - TERMINAL:
 - 50u" MIN NICKEL ALL OVER
 - 120u"MIN Tin ON SOLDER AREA
 - Au G/F ON CONTACT AREA
 - SHELL:50u"MIN. NICEL ALL OVER



Pin NUMBER	SIGNAL NAME
1	VBUS
2	D-
3	D+
4	GND
5	StdA_SSRX-
6	StdA_SSRX+
7	GND_DRAIN
8	StdA_SSTX-
9	StdA_SSTX+
Shell	Shield



THIS DOCUMENT IS THE SOLE PROPERTY OF BBJconn Technology Co.,Ltd. Corporation AND SHOULD NOT BE USED IN WHOLE OR IN PART WITHOUT PRIOR WRITTEN PERMISSION.		深圳市步步精科技有限公司 .X: ±0.38 .X': ±3" .XX: ±0.25 .X'': ±2" .XXX: ±0.13 .X''': ±1"		NAME: USB 3.0 A母 180度 DIP 两脚插 直脚 卷边 铜壳 LCP蓝胶 H=11.50 盒装	
APPD.	JM_Zheng	PJ. NO.: 127-275-090005-K4G		SIZE: A4 DRW NO.:	
CHKD.	LYX	FINISH: SEE NOTES		MAT'L.: SEE NOTES	
PDWG.NO:	0886-1	DR.	TSP	SCALE: N/A	REV.: A0 UNIT: mm PAGE: 1/2

REV.	ECN NO	CONTENT	DATE	ENGINEER
AO		Initial release	/	TSP

二:

- 1) 将托盘放入纸箱中.
- 2) 每箱装3000PCS成品

三:

- 1) 用透明胶将纸箱封实.
- 2) 将标签(按要求打印好的)贴在纸箱侧麦上方.

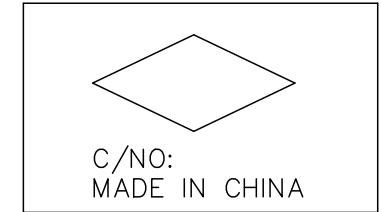
一:

- 1) 将成品依次放入包装盘内, 依同一方向放入.
- 2) 包装时, 依图所示.
- 3) 一个包装盘放置100个成品.
- 4) 依次往上叠放10盘, 一扎最上面加盖, 一起3扎。产 品方向保持一致, 用PE膜将托盘两边缠绕 (PE膜距托盘边约50mm) 再在托盘中 间缠绕成井字形, (缠绕3~5圈. 用力要适当)



ITEM NO:	
Q'TY:	PCS
N.W:	KGS
G.W:	KGS
MEAS:	33X23.5X29CM

标签粘贴处

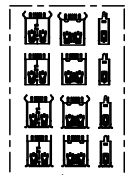


1扎叠10个成品托盘, 上面加1个吸塑盘盖, 一箱放4扎。

备

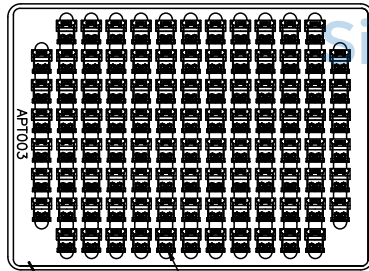
注 (REMARK)

- 1) 装不满一个外箱的, 用填充物填满未空间或将纸箱割小至刚好装下.
 - 2) 在搬运过程中要轻拿轻放.
 - 3) 在运输中不可堆放过多, 不可有重压现象.
 - 4) 跌落测试条件: 成品箱子从1.5米高自由落体: (三棱六面一角)
- 检验项目: 1. 产品不可跑出包装盘凹槽.
2. 产品不可有摔伤, 变形.
3. 外箱及内包装材料不可严重破损.



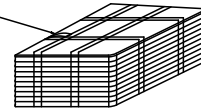
USB 3.0 AF 180度DIP系列产品

装盘



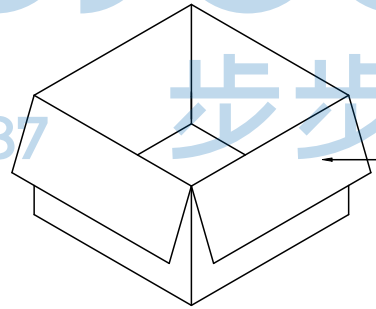
叠10个托盘加一个上盖

保鲜膜



包1扎

装箱



纸箱



产品	USB 3.0 AF 180度DIP	3000PCS
透明胶	W=47	若干
PE膜	W=68	若干
托盘上盖	314*224*9	3
托盘	314*224*9	30
纸箱	330*235*290	1
品名	规格 (mm)	用量 (PCS)

THIS DOCUMENT IS THE SOLE PROPERTY OF BBJconn Technology Co., Ltd. Corporation AND SHOULD NOT BE USED IN WHOLE OR IN PART WITHOUT PRIOR WRITTEN PERMISSION. PDWG.NO: 0886-1

深圳市步步精科技有限公司	
.X: ±0.38 .XX: ±0.25 .XXX: ±0.13	X': ±3' .X': ±2' .XX': ±1'
APPD. JM_Zheng	NAME: USB 3.0 A母 180度 DIP 两脚插 直脚 卷边 铜壳 LCP蓝胶 H=11.50 盒装 PJ. NO.: 127-275-090005-K4G
CHKD. LYX	SIZE: A4 DRW NO.: FINISH: SEE NOTES MAT'L.: SEE NOTES
DR. TSP	SCALE: N/A REV.: AO UNIT: mm PAGE: 2/2