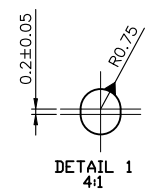
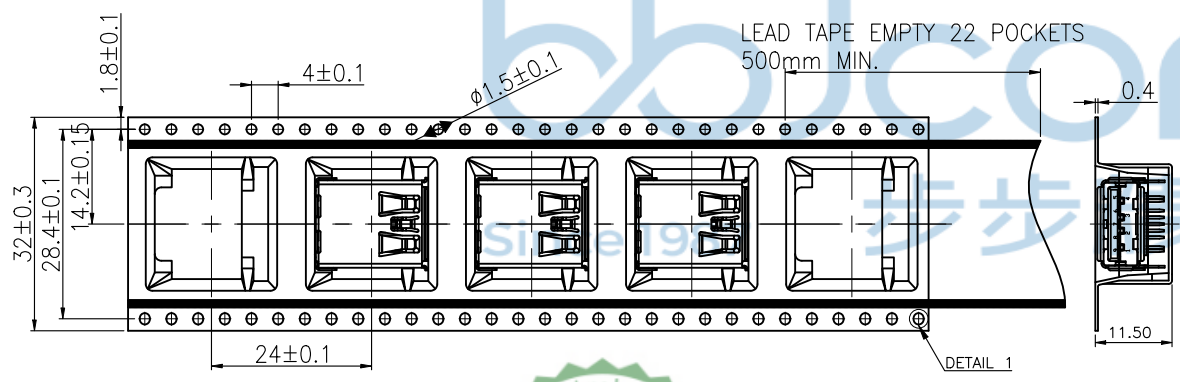
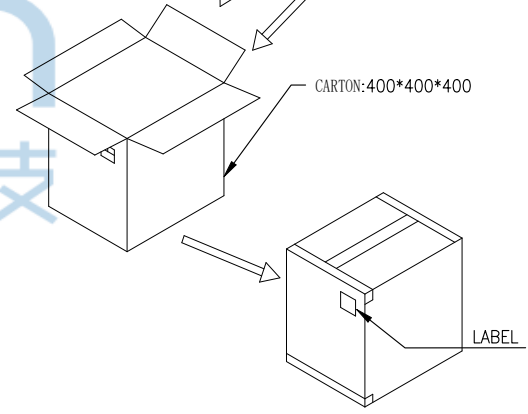
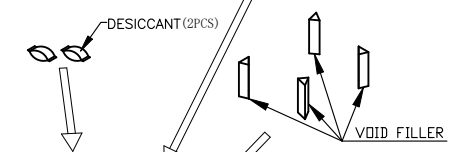
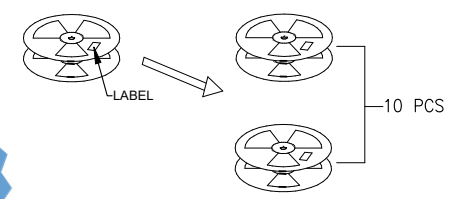
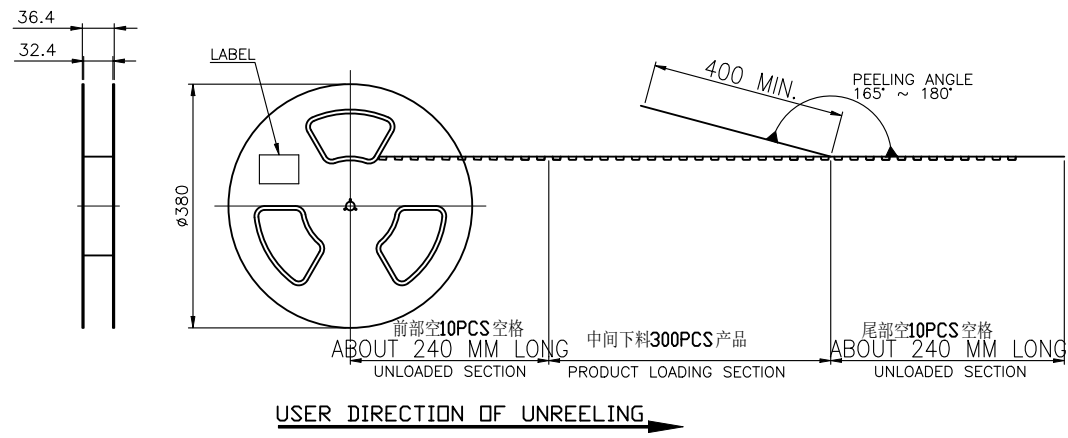


REV.	ECN NO	CONTENT	DATE	ENGINEER
A0		Initial release	/	



300	10	3000 PCS	-- KG	7.2KG
PCS/ REEL	REELS/ CARTON	QUANTITY	GROSS WEIGHT	NET WEIGHT

- NOTE:**
- MATERIAL:**
BOX: FIBRE BOARD, CORRUGATED, DOUBLE WALL
TAPE: POLYSTYRENES, HEAT-RESISTANT TEMPERATURE: 120°C, 透明COLOR.
REEL: POLYSTYRENES, HEAT-RESISTANT TEMPERATURE: 70°C, BLUE COLOR.
BAG: POLYETHYLENE, HEAT-RESISTANT TEMPERATURE: 100°C.
 - PEELING STRENGTH: 0.1 ~ 1.3 N (10 ~ 130 GRAMS)
 - PEELING SPEED: 300 mm/min.
 - EACH BAG SHALL BE INCLUDED DESICCANT.

THIS DOCUMENT IS THE SOLE PROPERTY OF **bbJconn Technology Co., Ltd** 深圳市步步精科技有限公司
Corporation AND SHOULD NOT BE USED IN WHOLE OR IN PART WITHOUT PRIOR WRITTEN PERMISSION.

PDWG, NO: 0886-1

APPD.	JM_Zheng		NAME:	USB 3.1 A母 90度 端子DIP 后两脚直插 平口 不锈钢外壳 L=16.70 编带	
CHKD.	LYX		PJ. NO.:	127-271-090010-K4G	
DR.		FINISH:	SEE NOTES	MAT'L.:	SEE NOTES
		SCALE:	N/A	REV.:	A0
		UNIT:	mm	PAGE:	2/2