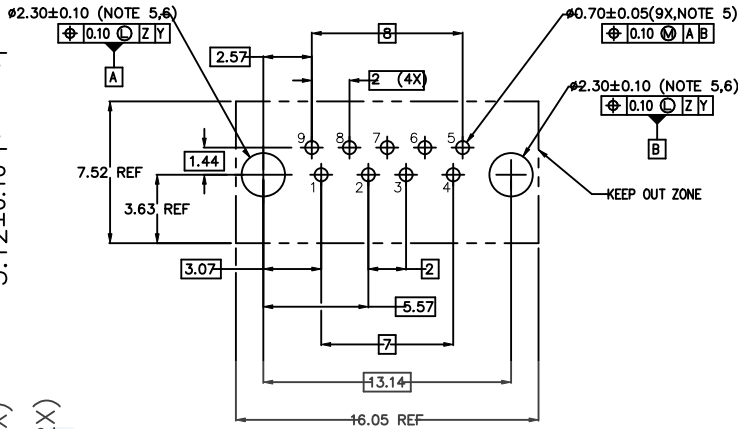
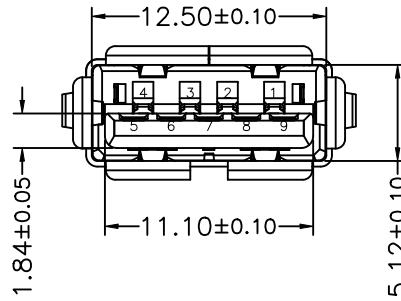


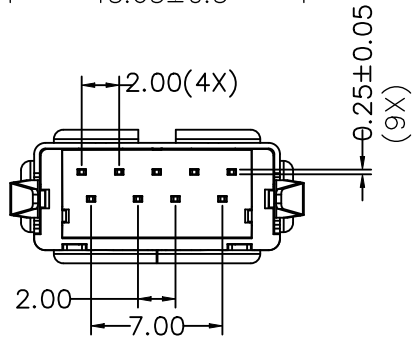
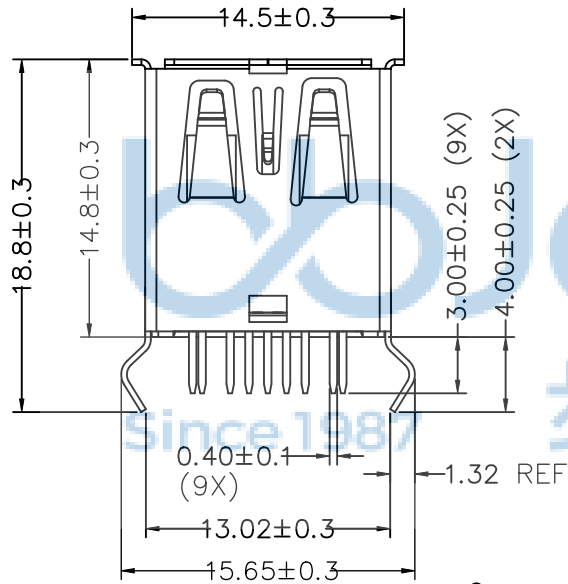
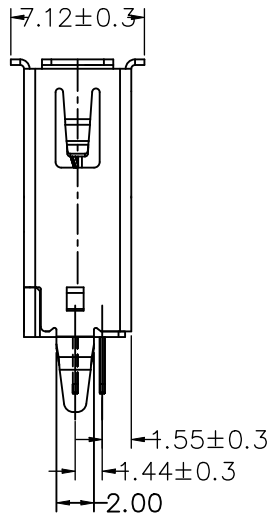
REV.	ECN NO	CONTENT	DATE	ENGINEER
A0		Initial release	/	TSP



Recommended PCB Layout  
PCB Thickness=1.8±0.1mm

NOTE:

- MATERIAL:
  - INSULATOR:HIGH TEMPERATURE PLASTIC LCP
  - CONTACT:BRONZE
  - SHELL:BRASS
- ELECTRICAL CHARACTERISTICS:
  - CONTACT RESISTANCE:30mΩ MAX
  - CONTACT CURRENT RATING:1.5A
  - DIELECTRIC WITHSTANDING VOLTAGE:100 V R. M. S.
  - INSULATION RESISTANCE 100 MΩ MIN
  - OPERATING TEMPERATURE:-40° C ~ 85° C
- MECHANICAL CHARACTERISTICS:
  - MATING FORCE:3.57kgf MAX
  - UNMATING FORCE:1.02kgf MIN
  - DURABILITY:MANDATORY:1,500 CYCLES
- PLATING
  - TERMINAL:
    - 50u" MIN NICKEL
    - 80u"MIN Tin ON SOLDER AREA
    - Au G/F ON CONTACT AREA
  - SHELL:50u"MIN. NICKEL



Pin NUMBER	SIGNAL NAME
1	VBUS
2	D-
3	D+
4	GND
5	StdA_SSRX-
6	StdA_SSRX+
7	GND_DRAIN
8	StdA_SSTX-
9	StdA_SSTX+
Shell	Shield



THIS DOCUMENT IS THE SOLE PROPERTY OF BBJconn Technology Co.,Ltd. Corporation AND SHOULD NOT BE USED IN WHOLE OR IN PART WITHOUT PRIOR WRITTEN PERMISSION.		深圳市步步精科技有限公司 .X: ±0.38    .X': ±3' .XX: ±0.25    .X'': ±2' .XXX: ±0.13    .X''': ±1'		NAME: USB 3.0 A母 180度 DIP 两脚插 弯脚 卷边 不锈钢外壳 LCP蓝胶 H=14.80 盒装 APPD. JM_Zheng PJ. NO.: 127-275-090013-K4G CHKD. LYX SIZE: A4 DRW NO.: FINISH: SEE NOTES    MAT'L.: SEE NOTES PDWG.NO: 0886-1    DR. TSP SCALE: N/A    REV.: A0    UNIT: mm    PAGE: 1/2	
--	--	---	--	--	--

## 包装作业图示及说明 (PACKING OPERATION DIAGRAM & INSTRUCTION)

一:

- 1) 将成品一一放入包装盘内, 依同一方向放入.
- 2) 包装时, 依图所示.
- 3) 一个吸塑盘放置100个成品.

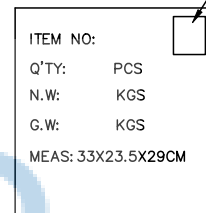
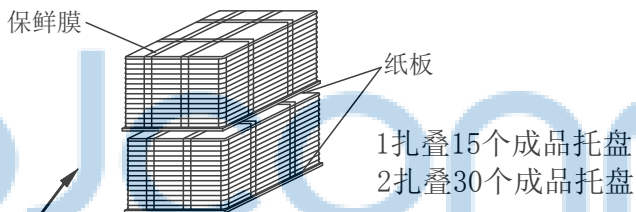
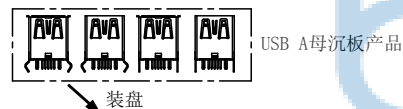
4) 依次往上叠放15盘, 产品方向保持一致, 上下各放一块硬纸板, 用PE膜将托盘两边缠绕(PE鲜膜距托盘边约50mm) 再在托盘中间缠绕成#字形为一扎, (缠绕3~5圈. 用力要适当)

二:

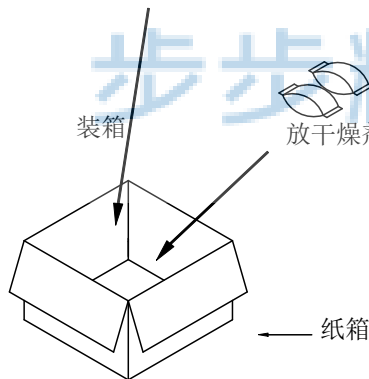
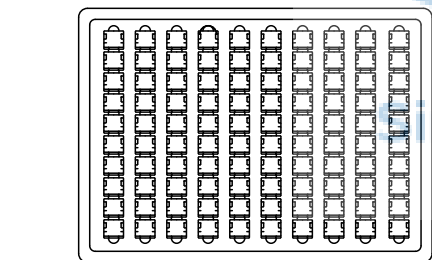
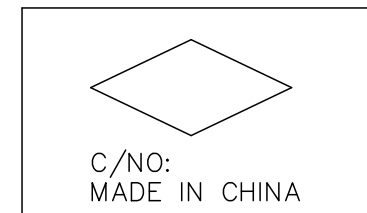
- 1) 将2扎托盘按上下顺序放入纸箱中.
- 2) 纸箱内放2包干燥剂
- 3) 每箱装3000PCS成品

三:

- 1) 用透明胶将纸箱封实.
- 2) 将标签(按要求打印好的)贴在纸箱侧麦上方.



标签粘贴处



### 备注 (REMARK)

- 1) 装不满一个外箱的, 用填充物填满未装空间或将纸箱割小至刚好装下.
- 2) 在搬运过程中要轻拿轻放.
- 3) 在运输中不可堆放过多, 不可有重压现象.
- 4) 跌落测试条件: 成品箱子从1.0米高自由落体: (三棱六面一角)  
检验项目: 1. 产品不可跑出包装盘凹槽.  
2. 产品不可有摔伤, 变形.  
3. 外箱及内包装材料不可严重破损.



产品	SMT&DIP	3000
透明胶	W=47	若干
PE膜	W=68	若干
干燥剂	1.2g/包	2包
纸板	314*224*3	2
托盘	315*225*9	30
纸箱	330*235*290	1
品名	规格(mm)	用量(PCS)

THIS DOCUMENT IS THE SOLE PROPERTY OF BBJconn Technology Co., Ltd. Corporation AND SHOULD NOT BE USED IN WHOLE OR IN PART WITHOUT PRIOR WRITTEN PERMISSION.		<b>深圳市步步精科技有限公司</b>	
.X: ±0.38 .XX: ±0.25 .XXX: ±0.13		X': ±3' .X': ±2' .XX': ±1'	
APPD. JM_Zheng		NAME: USB 3.0 A母 180度 DIP 两脚插 弯脚 卷边 不锈钢外壳 LCP蓝胶 H=14.80 盒装	
CHKD. LYX		PJ. NO.: 127-275-090013-K4G	
DR. TSP		SIZE: A4   DRW NO.:	
PDWG.NO: 0886-1		FINISH: SEE NOTES   MAT'L.: SEE NOTES	
		SCALE: N/A   REV.: AO   UNIT: mm   PAGE: 2/2	