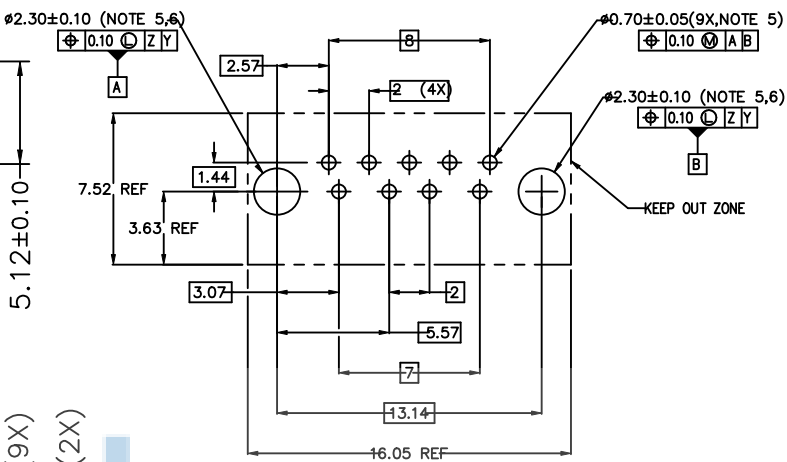
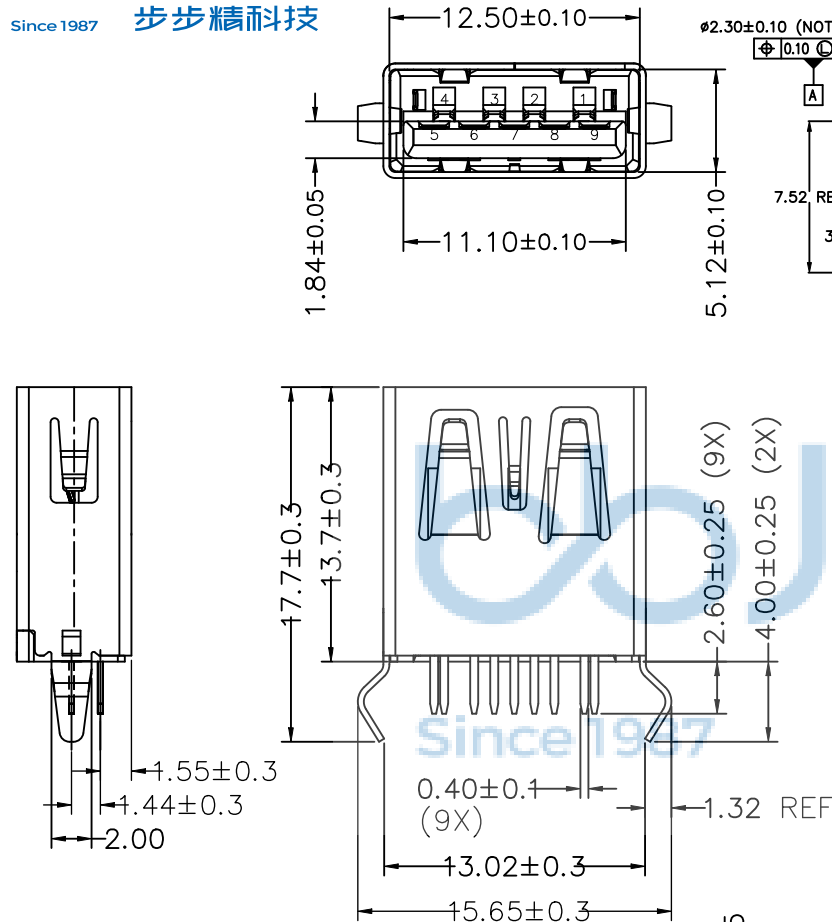


REV.	ECN NO	CONTENT	DATE	ENGINEER
A0		Initial release	/	TSP

A  
B  
C  
D  
E

E



Recommended PCB Layout  
PCB Thickness=1.8±0.1mm

- NOTE:
- MATERIAL:
    - INSULATOR:HIGH TEMPERATURE PLASTIC LCP
    - CONTACT:BRONZE
    - SHELL:BRASS
  - ELECTRICAL CHARACTERISTICS;
    - CONTACT RESISTANCE:30mΩ MAX
    - CONTACT CURRENT RATING:1.5A
    - DIELECTRIC WITHSTANDING VOLTAGE:100 V R. M. S.
    - INSULATION RESISTANCE 100 MΩ MIN
    - OPERATING TEMPERATURE:-40° C ~ 85° C
  - MECHANICAL CHARACTERISTICS:
    - MATING FORCE:3.57kgf MAX
    - UNMATING FORCE:1.02kgf MIN
    - DURABILITY:MANDATORY:1,500 CYCLES
  - PLATING
    - TERMINAL:
      - 50u" MIN NICKEL ALL OVER
      - 120u"MIN Tin ON SOLDER AREA
      - Au G/F ON CONTACT AREA
    - SHELL:50u"MIN.NICEL ALL OVER

Pin NUMBER	SIGNAL NAME
1	VBUS
2	D-
3	D+
4	GND
5	StdA_SSRX-
6	StdA_SSRX+
7	GND_DRAIN
8	StdA_SSTX-
9	StdA_SSTX+
Shell	Shield



THIS DOCUMENT IS THE SOLE PROPERTY OF BBJconn Technology Co.,Ltd. Corporation AND SHOULD NOT BE USED IN WHOLE OR IN PART WITHOUT PRIOR WRITTEN PERMISSION.		深圳市步步精科技有限公司 .X: ±0.38    .X': ±3" .XX: ±0.25    .X'': ±2" .XXX: ±0.13    .X''': ±1"		NAME: USB 3.0 A母 180度 DIP 两脚插 弯脚 平口 不锈钢外壳 LCP蓝胶 H=13.70 盒装 PJ. NO.: 127-275-090014-K4G SIZE: A4   DRW NO.: FINISH: SEE NOTES    MAT'L.: SEE NOTES SCALE: N/A    REV.: A0    UNIT: mm    PAGE: 1/2	
APPD.	JM_Zheng	CHKD.	LYX	DR.	TSP
PDWG.NO:	0886-1				

1

2

3

4

5

6

7

8

REV.	ECN NO	CONTENT	DATE	ENGINEER
AO		Initial release	/	TSP

二:

- 1) 将托盘放入纸箱中.
- 2) 每箱装3000PCS成品

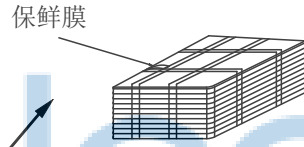
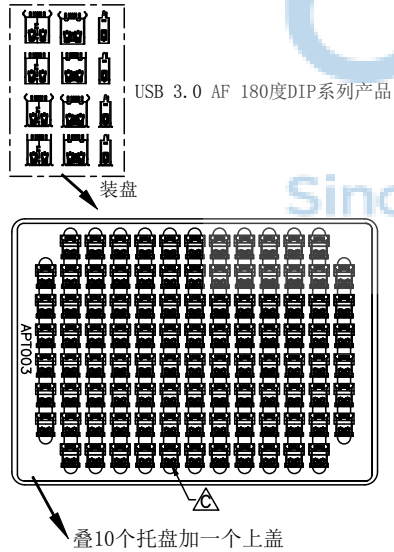


三:

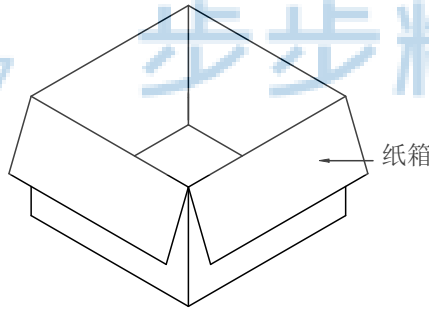
- 1) 用透明胶将纸箱封实.
- 2) 将标签(按要求打印好的)贴在纸箱侧麦上方.

一:

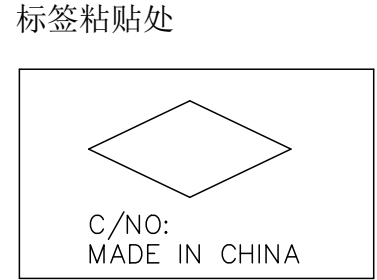
- 1) 将成品依次放入包装盘内, 依同一方向放入.
- 2) 包装时, 依图所示.
- 3) 一个包装盘放置100个成品.
- 4) 依次往上叠放10盘, 一扎最上面加盖, 一起3扎。产 品方向保持一致, 用PE膜将托盘两边缠绕 (PE膜距托盘边约50mm) 再在托盘中 间缠绕成井字形, (缠绕3~5圈. 用力要适当)



1扎叠10个成品托盘, 上面加1个吸塑盘盖, 一箱放4扎。



ITEM NO:  
Q'TY: PCS  
N.W: KGS  
G.W: KGS  
MEAS: 33X23.5X29CM



备

注 (REMARK)

- 1) 装不满一个外箱的, 用填充物填满未满空间或将纸箱割小至刚好装下.
- 2) 在搬运过程中要轻拿轻放.
- 3) 在运输中不可堆放过多, 不可有重压现象.
- 4) 跌落测试条件: 成品箱子从1.5米高自由落体:(三棱六面一角)  
检验项目: 1. 产品不可跑出包装盘凹槽.  
2. 产品不可有摔伤, 变形.  
3. 外箱及内包装材料不可严重破损.



产品	USB 3.0 AF 180度DIP	3000PCS
透明胶	W=47	若干
PE膜	W=68	若干
托盘上盖	314*224*9	3
托盘	314*224*9	30
纸箱	330*235*290	1
品名	规格 (mm)	用量 (PCS)

THIS DOCUMENT IS THE SOLE PROPERTY OF BBJconn Technology Co., Ltd. Corporation AND SHOULD NOT BE USED IN WHOLE OR IN PART WITHOUT PRIOR WRITTEN PERMISSION.		深圳市步步精科技有限公司 .X: ±0.38 .X': ±3' .XX: ±0.25 .X'': ±2' .XXX: ±0.13 .XX': ±1'	
APPD.	JM_Zheng	NAME: USB 3.0 A母 180度 DIP 两脚插 弯脚 平口 不锈钢外壳 LCP蓝胶 H=13.70 盒装	
CHKD.	LYX	PJ. NO.: 127-275-090014-K4G	
DR.	TSP	SIZE: A4 DRW NO.:	
PDWG.NO:	0886-1	FINISH: SEE NOTES MAT'L.: SEE NOTES	
		SCALE: N/A REV.: AO UNIT: mm PAGE: 2/2	