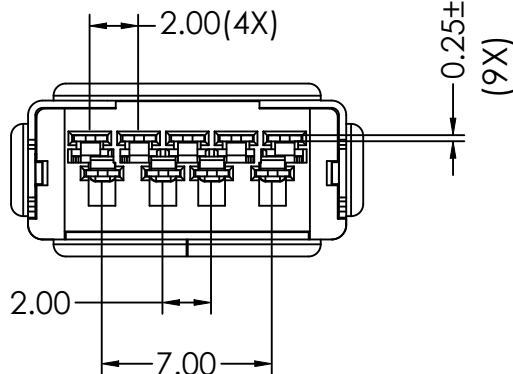
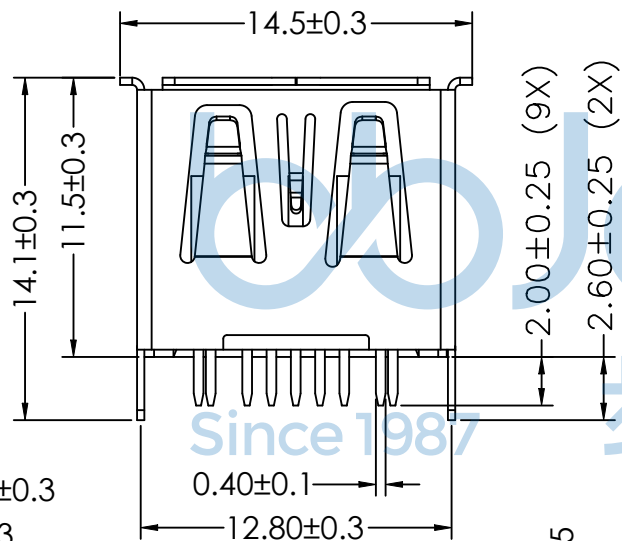
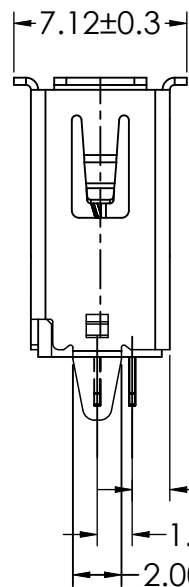


Recommended PCB Layout
PCB Thickness=1.8±0.1mm



Pin NUMBER	SIGNAL NAME
1	VBUS
2	D-
3	D+
4	GND
5	StdA_SSRX-
6	StdA_SSRX+
7	GND_DRAIN
8	StdA_SSTX-
9	StdA_SSTX+
Shell	Shield

REV.	ECN NO	CONTENT	DATE	ENGINEER
A0		Initial release	/	TSP

NOTE:

- MATERIAL:
 - INSULATOR:HIGH TEMPERATURE PLASTIC LCP
 - CONTACT:BRONZE
 - SHELL:BRASS
- ELECTRICAL CHARACTERISTICS;
 - CONTACT RESISTANCE:30mΩ MAX
 - CONTACT CURRENT RATING:1.5A
 - DIELECTRIC WITHSTANDING VOLTAGE:100 V R. M. S.
 - INSULATION RESISTANCE 100 MΩ MIN
 - OPERATING TEMPERATURE:-40° C ~ 85° C
- MECHANICAL CHARACTERISTICS:
 - MATING FORCE:3.57kgf MAX
 - UNMATING FORCE:1.02kgf MIN
 - DURABILITY:MANDATORY:1,500 CYCLES
- PLATING
 - TERMINAL:
 - 50u" MIN NICKEL ALL OVER
 - 120u"MIN Tin ON SOLDER AREA
 - Au G/F ON CONTACT AREA
 - SHELL:50u"MIN. NICEL ALL OVER



THIS DOCUMENT IS THE SOLE PROPERTY OF BBJconn Technology Co., Ltd. Corporation AND SHOULD NOT BE USED IN WHOLE OR IN PART WITHOUT PRIOR WRITTEN PERMISSION.		深圳市步步精科技有限公司 .X: ±0.38 .X': ±3" .XX: ±0.25 .X": ±2" .XXX: ±0.13 .XX': ±1"		NAME: USB 3.0 A母 180度 DIP 两脚插 直脚 卷边 铜壳 LCP黑胶 H=11.50 盒装	
APPD.	JM_Zheng	PJ. NO.: 127-275-090018-K4G		SIZE: A4 DRW NO.:	
CHKD.	LYX	FINISH: SEE NOTES		MAT'L.: SEE NOTES	
PDWG.NO:	0886-1	DR.	TSP	SCALE: N/A	REV.: A0 UNIT: mm PAGE: 1/2

REV.	ECN NO	CONTENT	DATE	ENGINEER
AO		Initial release	/	TSP

二:

- 1) 将托盘放入纸箱中.
- 2) 每箱装3000PCS成品

三:

- 1) 用透明胶将纸箱封实.
- 2) 将标签(按要求打印好的)贴在纸箱侧麦上方.

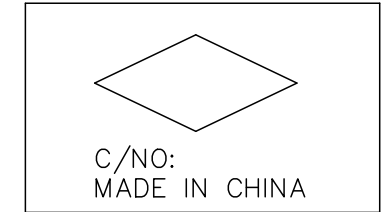
一:

- 1) 将成品依次放入包装盘内, 依同一方向放入.
- 2) 包装时, 依图所示.
- 3) 一个包装盘放置100个成品.
- 4) 依次往上叠放10盘, 一扎最上面加盖, 一起3扎。产 品方向保持一致, 用PE膜将托盘两边缠绕 (PE膜距托盘边约50mm) 再在托盘中 间缠绕成井字形, (缠绕3~5圈. 用力要适当)



ITEM NO:	
Q'TY:	PCS
N.W:	KGS
G.W:	KGS
MEAS:	33X23.5X29CM

标签粘贴处

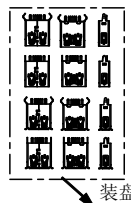


1扎叠10个成品托盘, 上面加1个吸塑盘盖, 一箱放4扎。

备

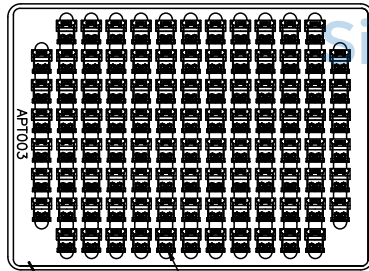
注 (REMARK)

- 1) 装不满一个外箱的, 用填充物填满未满空间或将纸箱割小至刚好装下.
- 2) 在搬运过程中要轻拿轻放.
- 3) 在运输中不可堆放过多, 不可有重压现象.
- 4) 跌落测试条件: 成品箱子从1.5米高自由落体: (三棱六面一角)
检验项目: 1. 产品不可跑出包装盘凹槽.
2. 产品不可有摔伤, 变形.
3. 外箱及内包装材料不可严重破损.



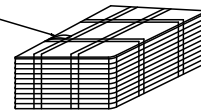
USB 3.0 AF 180度DIP系列产品

装盘



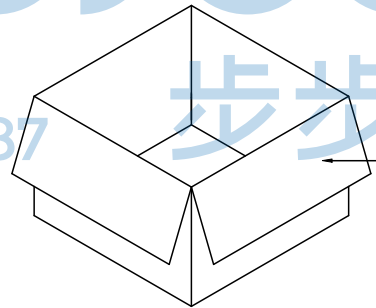
叠10个托盘加一个上盖

保鲜膜



包1扎

装箱



纸箱



产品	USB 3.0 AF 180度DIP	3000PCS
透明胶	W=47	若干
PE膜	W=68	若干
托盘上盖	314*224*9	3
托盘	314*224*9	30
纸箱	330*235*290	1
品名	规格(mm)	用量(PCS)

THIS DOCUMENT IS THE SOLE PROPERTY OF BBJconn Technology Co., Ltd. Corporation AND SHOULD NOT BE USED IN WHOLE OR IN PART WITHOUT PRIOR WRITTEN PERMISSION.
PDWG.NO: 0886-1

深圳市步步精科技有限公司	
.X: ±0.38 .XX: ±0.25 .XXX: ±0.13	X': ±3' .X': ±2' .XX': ±1'
NAME: USB 3.0 A母 180度 DIP 两脚插 直脚 卷边 铜壳 LCP黑胶 H=11.50 盒装	
APPD. JM_Zheng	PJ. NO.: 127-275-090018-K4G
CHKD. LYX	SIZE: A4 DRW NO.:
DR. TSP	FINISH: SEE NOTES MAT'L.: SEE NOTES
SCALE: N/A REV.: AO UNIT: mm PAGE: 2/2	