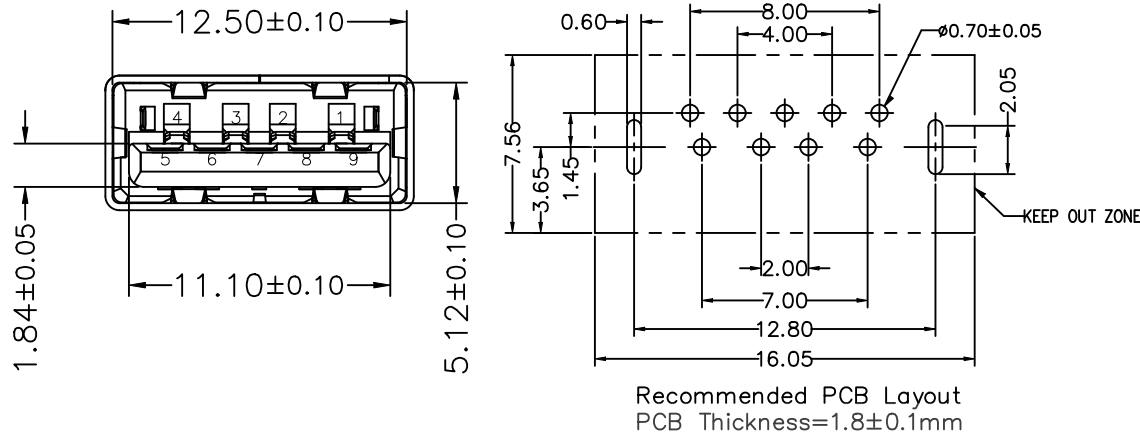
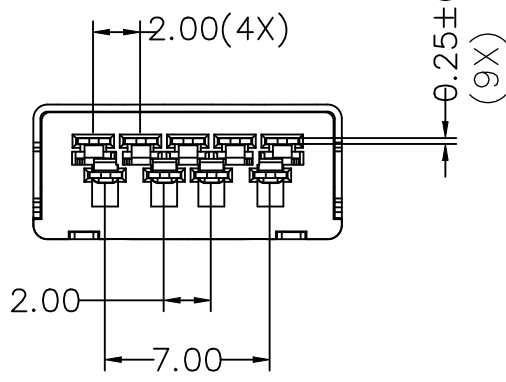
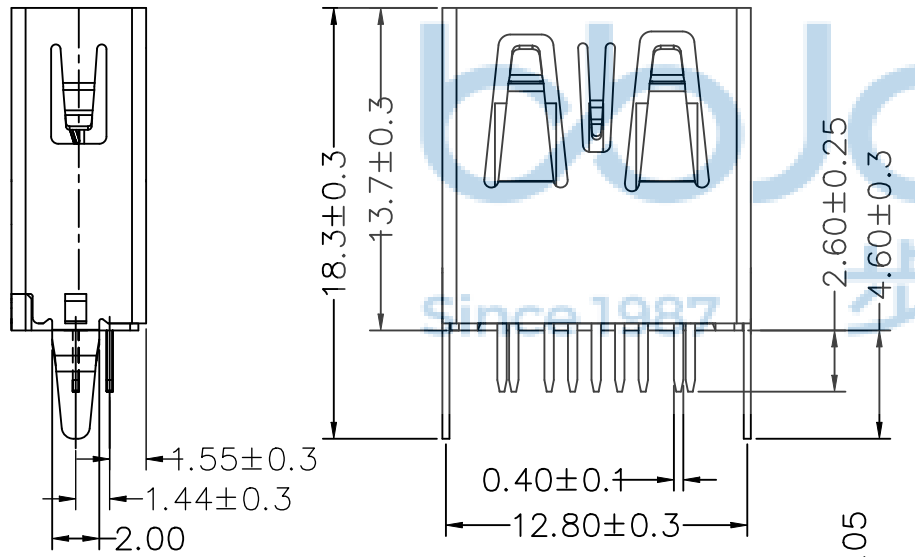


REV.	ECN NO	CONTENT	DATE	ENGINEER
A0		Initial release	/	TSP



- NOTE:
- MATERIAL:
    - INSULATOR:HIGH TEMPERATURE PLASTIC LCP
    - CONTACT:BRONZE
    - SHELL:BRASS
  - ELECTRICAL CHARACTERISTICS;
    - CONTACT RESISTANCE:30mΩ MAX
    - CONTACT CURRENT RATING:1.5A
    - DIELECTRIC WITHSTANDING VOLTAGE:100 V R. M. S.
    - INSULATION RESISTANCE 100 MΩ MIN
    - OPERATING TEMPERATURE:-40° C ~ 85° C
  - MECHANICAL CHARACTERISTICS:
    - MATING FORCE:3.57kgf MAX
    - UNMATING FORCE:1.02kgf MIN
    - DURABILITY:MANDATORY:1,500 CYCLES
  - PLATING
    - TERMINAL:
      - 50u" MIN NICKEL ALL OVER
      - 120u"MIN Tin ON SOLDER AREA
      - Au G/F ON CONTACT AREA
    - SHELL:50u"MIN. NICKEL ALL OVER



Pin NUMBER	SIGNAL NAME
1	VBUS
2	D-
3	D+
4	GND
5	StdA_SSRX-
6	StdA_SSRX+
7	GND_DRAIN
8	StdA_SSTX-
9	StdA_SSTX+
Shell	Shield



THIS DOCUMENT IS THE SOLE PROPERTY OF BBJconn Technology Co.,Ltd. Corporation AND SHOULD NOT BE USED IN WHOLE OR IN PART WITHOUT PRIOR WRITTEN PERMISSION.

PDWG.NO: 0886-1

APPD. JM\_Zheng  
CHKD. LYX  
DR. TSP

NAME: USB 3.0 A母 180度 DIP 两脚插 直脚 平口 不锈钢外壳 LCP蓝胶 H=13.70 盒装

PJ. NO.: 127-275-090021-K4G  
SIZE: A4 DRW NO.:

FINISH: SEE NOTES MAT'L.: SEE NOTES  
SCALE: N/A REV.: A0 UNIT: mm PAGE: 1/2

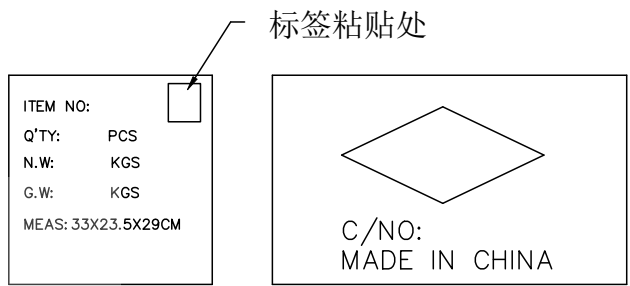
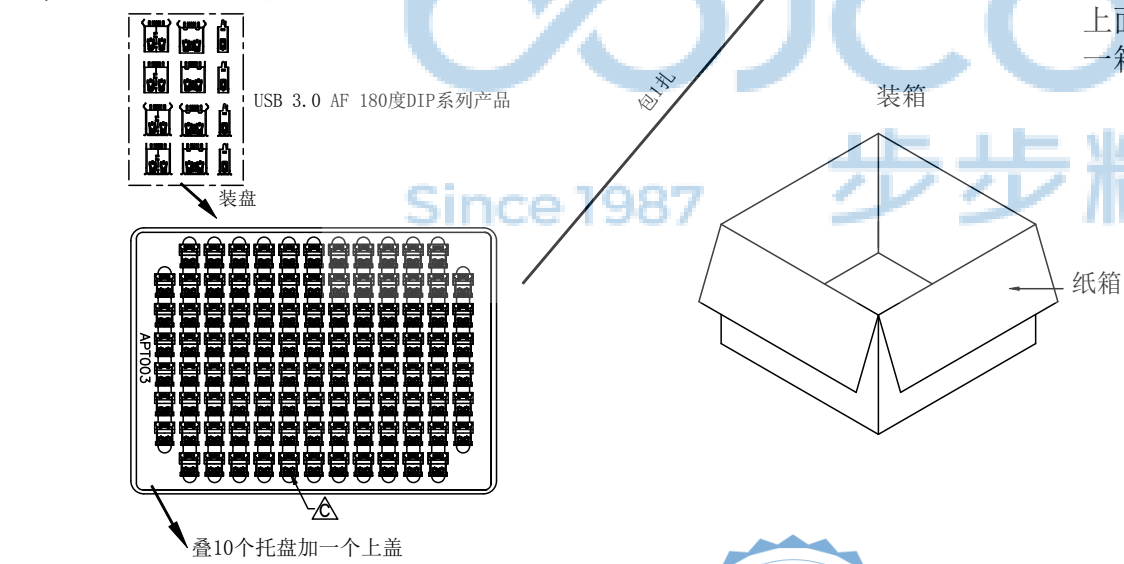
REV.	ECN NO	CONTENT	DATE	ENGINEER
AO		Initial release	/	TSP

- 一：
- 1) 将成品依次放入包装盘内, 依同一方向放入.
  - 2) 包装时, 依图所示.
  - 3) 一个包装盘放置100个成品.
  - 4) 依次往上叠放10盘, 一扎最上面加盖, 一起3扎。产

- 二：
- 1) 将托盘放入纸箱中.
  - 2) 每箱装3000PCS成品



- 三：
- 1) 用透明胶将纸箱封实.
  - 2) 将标签(按要求打印好的)贴在纸箱侧麦上方.



- 备注 (REMARK)
- 1) 装不满一个外箱的, 用填充物填满未满空间或将纸箱割小至刚好装下.
  - 2) 在搬运过程中要轻拿轻放.
  - 3) 在运输中不可堆放过多, 不可有重压现象.
  - 4) 跌落测试条件: 成品箱子从1.5米高自由落体:(三棱六面一角)  
检验项目: 1. 产品不可跑出包装盘凹槽.  
2. 产品不可有摔伤, 变形.  
3. 外箱及内包装材料不可严重破损.

产品	USB 3.0 AF 180度DIP	3000PCS
透明胶	W=47	若干
PE膜	W=68	若干
托盘上盖	314*224*9	3
托盘	314*224*9	30
纸箱	330*235*290	1
品名	规格(mm)	用量(PCS)



THIS DOCUMENT IS THE SOLE PROPERTY OF BBJconn Technology Co., Ltd. Corporation AND SHOULD NOT BE USED IN WHOLE OR IN PART WITHOUT PRIOR WRITTEN PERMISSION.		深圳市步步精科技有限公司 .X: ±0.38    .X': ±3' .XX: ±0.25    .X'': ±2' .XXX: ±0.13    .XX': ±1'		NAME: USB 3.0 A母 180度 DIP 两脚插 直脚 平口 不锈钢外壳 LCP蓝胶 H=13.70 盒装 PJ. NO.: 127-275-090021-K4G SIZE: A4   DRW NO.: FINISH: SEE NOTES   MAT'L.: SEE NOTES SCALE: N/A   REV.: AO   UNIT: mm   PAGE: 2/2	
APPD.	JM_Zheng	CHKD.	LYX	DR.	TSP
PDWG.NO:	0886-1				