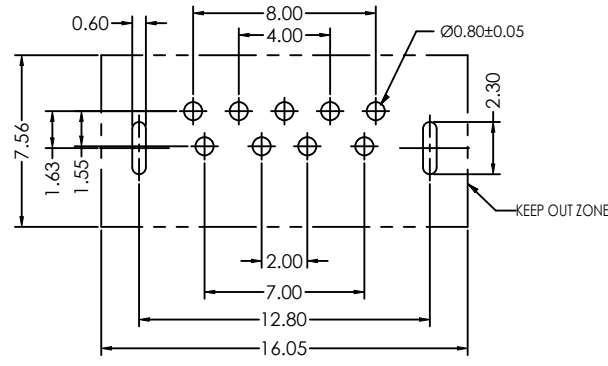
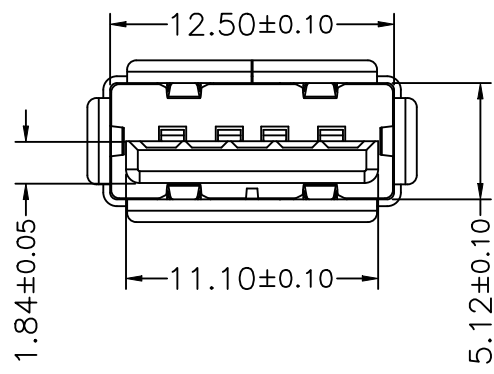
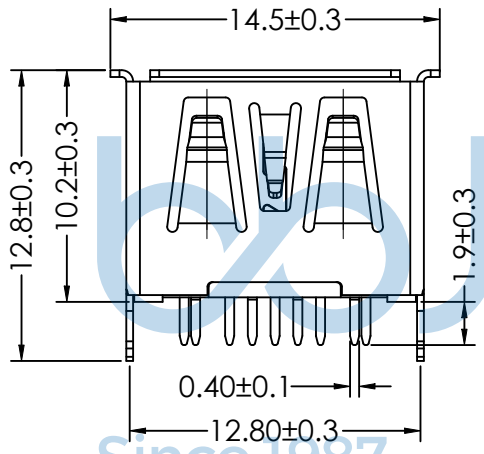
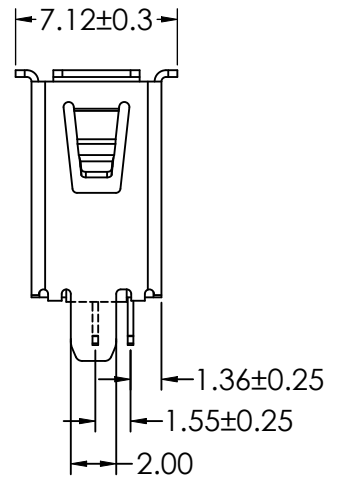


REV.	ECN NO	CONTENT	DATE	ENGINEER
A0		Initial release	/	TSP



Recommended PCB Layout
PCB Thickness=1.8±0.1mm

- NOTE:
- MATERIAL:
 - INSULATOR: HIGH TEMPERATURE PLASTIC LCP
 - CONTACT: BRONZE
 - SHELL: STAINLESS STEEL
 - ELECTRICAL CHARACTERISTICS:
 - CONTACT RESISTANCE: 30mΩ MAX
 - CONTACT CURRENT RATING: 1.5A
 - DIELECTRIC WITHSTANDING VOLTAGE: 100 V R. M. S.
 - INSULATION RESISTANCE 100 MΩ MIN
 - OPERATING TEMPERATURE: -40° C ~ 85° C
 - MECHANICAL CHARACTERISTICS:
 - MATING FORCE: 3.57kgf MAX
 - UNMATING FORCE: 1.02kgf MIN
 - DURABILITY: MANDATORY: 1,500 CYCLES
 - PLATING:
 - TERMINAL:
 - 50u" MIN NICKEL ALL OVER
 - 120u" MIN Tin ON SOLDER AREA
 - Au G/F ON CONTACT AREA
 - SHELL: 50u" MIN. NICEL ALL OVER

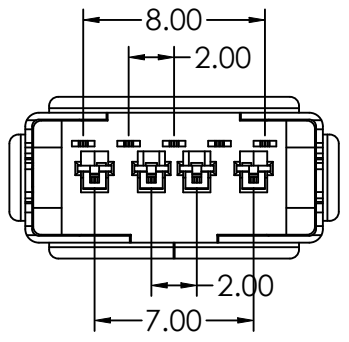


Since 1987

bbJconn
步步精科技



Pin NUMBER	SIGNAL NAME
1	VBUS
2	D-
3	D+
4	GND
5	StdA_SSRX-
6	StdA_SSRX+
7	GND_DRAIN
8	StdA_SSTX-
9	StdA_SSTX+
Shell	Shield

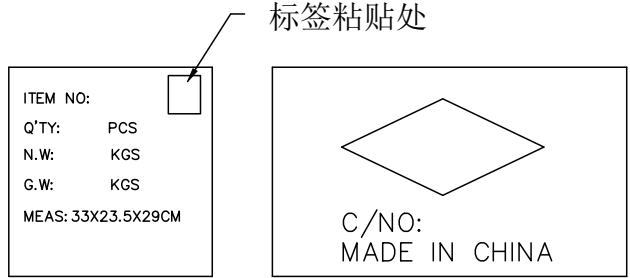
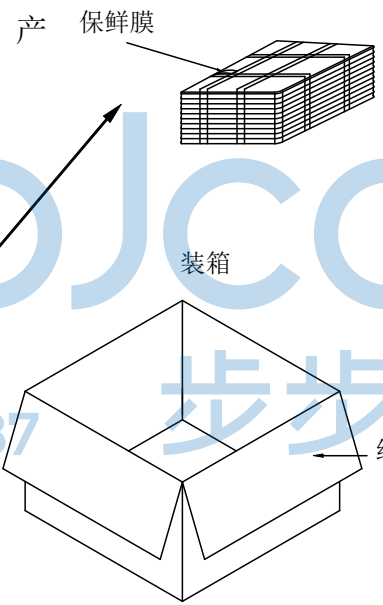
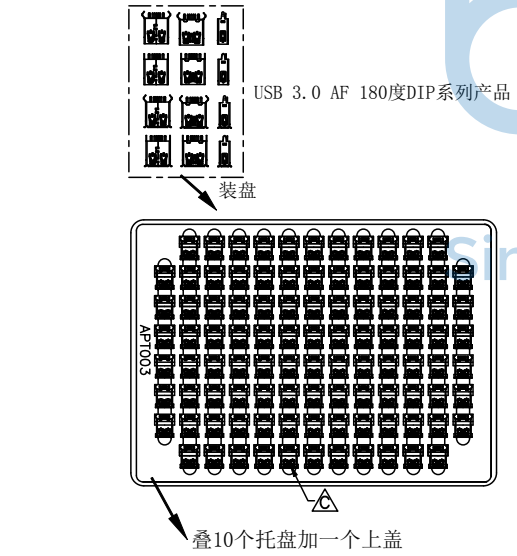


THIS DOCUMENT IS THE SOLE PROPERTY OF BBJconn Technology Co.,Ltd. Corporation AND SHOULD NOT BE USED IN WHOLE OR IN PART WITHOUT PRIOR WRITTEN PERMISSION.		深圳市步步精科技有限公司 .X: ±0.38 .X': ±3" .XX: ±0.25 .X'': ±2" .XXX: ±0.13 .X''': ±1"		NAME: USB 3.0 A母 180度 DIP 两脚直插 卷边 不锈钢外壳 LCP蓝胶 H=10.20 盒装 PJ. NO.: 127-275-090025-K4G SIZE: A4 DRW NO.: FINISH: SEE NOTES MAT'L.: SEE NOTES	
PDWG.NO: 0886-1	DR. TSP	APPD. JM_Zheng	CHKD. LYX	SCALE: N/A	REV.: A0
			UNIT: mm	PAGE: 1/2	

- 一：
- 1) 将成品依次放入包装盘内, 依同一方向放入.
 - 2) 包装时, 依图所示.
 - 3) 一个包装盘放置100个成品.
 - 4) 依次往上叠放10盘, 一扎最上面加盖, 一起3扎。产

- 二：
- 1) 将托盘放入纸箱中.
 - 2) 每箱装3000PCS成品

- 三：
- 1) 用透明胶将纸箱封实.
 - 2) 将标签(按要求打印好的)贴在纸箱侧麦上方.



1扎叠10个成品托盘, 上面加1个吸塑盘盖, 一箱放4扎。

- 备注 (REMARK)
- 1) 装不满一个外箱的, 用填充物填满未空间或将纸箱割小至刚好装下.
 - 2) 在搬运过程中要轻拿轻放.
 - 3) 在运输中不可堆放过多, 不可有重压现象.
 - 4) 跌落测试条件: 成品箱子从1.5米高自由落体:(三棱六面一角)
- 检验项目: 1. 产品不可跑出包装盘凹槽.
2. 产品不可有摔伤, 变形.
3. 外箱及内包装材料不可严重破损.

产品	USB 3.0 AF 180度DIP	3000PCS
透明胶	W=47	若干
PE膜	W=68	若干
托盘上盖	314*224*9	3
托盘	314*224*9	30
纸箱	330*235*290	1
品名	规格(mm)	用量(PCS)



THIS DOCUMENT IS THE SOLE PROPERTY OF BBJconn Technology Co., Ltd. Corporation AND SHOULD NOT BE USED IN WHOLE OR IN PART WITHOUT PRIOR WRITTEN PERMISSION.		深圳市步步精科技有限公司 .X: ±0.38 .X': ±3' .XX: ±0.25 .X'': ±2' .XXX: ±0.13 .XX': ±1'		NAME: USB 3.0 A母 180度 DIP 两脚直插 不锈钢外壳 LCP蓝胶 H=10.20 盒装 PJ. NO.: 127-275-090025-K4G SIZE: A4 DRW NO.: FINISH: SEE NOTES MAT'L.: SEE NOTES SCALE: N/A REV.: AO UNIT: mm PAGE: 2/2	
APPD.	JM_Zheng	CHKD.	LYX	DR.	TSP
PDWG.NO:	0886-1				