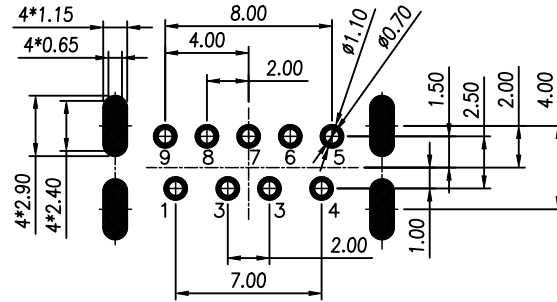
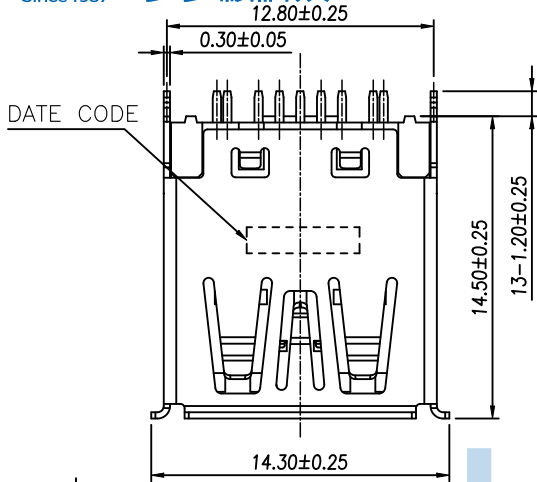




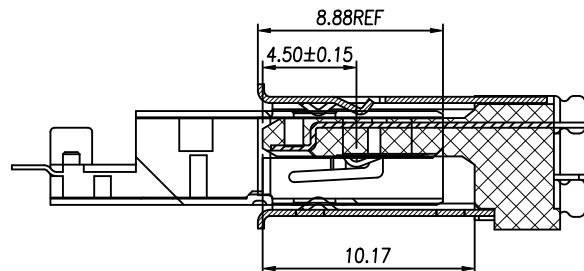
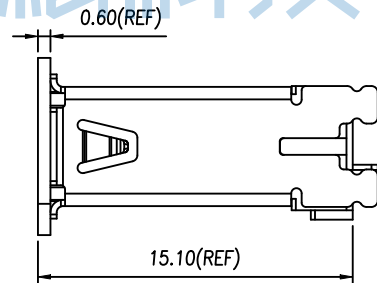
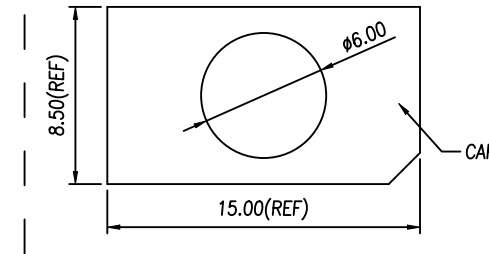
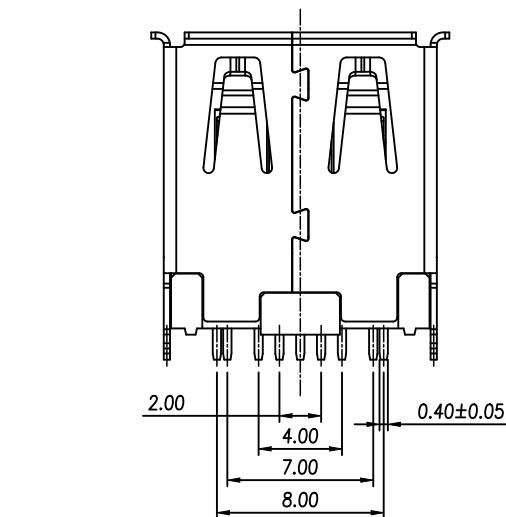
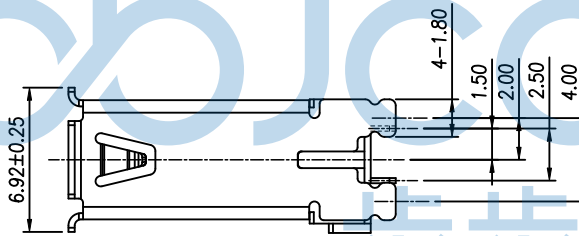
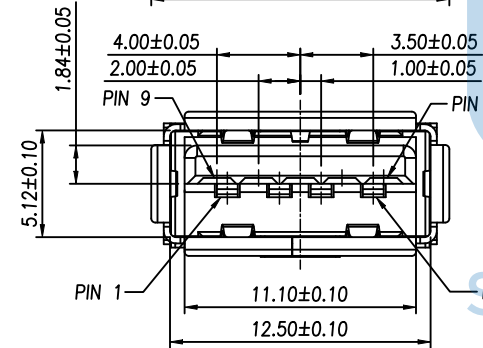
REV.	ECN NO	CONTENT	DATE	ENGINEER
A0		Initial release	/	TSP



TOLERANCE: ± 0.05 ,
RECOMMENDED PCB LAYOUT
(TOP VIEW)

NOTE:

- MATERIAL:
 - INSULATOR: LCP, UL 94 V-0; COLCR BLUE 300C
 - 4PIN CONTACT: C5191 (T=0.25mm)
 - 5PIN CONTACT: C2680 (T=0.25mm)
 - SHELL: STAINLESS STEEL (T=0.30mm)
 - CAP: LCP, UL 94 V-0; COLCR BLACK
- ELECTRICAL CHARACTERISTICS:
 - CURRENT RATING: 1.8A (PIN1, 4); OTHER CONTACTS 0.25A
 - VOLTAGE RATING: 30V DC/AC MAX.
 - CONTACT RESISTANCE: 30mΩ MAX. PIN1&PIN4 50mΩ MAX FOR OTHER CONTACTS.
 - DIELECTRIC WITHSTANDING VOLTAGE: 100V AC FOR 1 MINUTE.
 - INSULATION RESISTANCE: 100MΩ MIN.
- MECHANICAL CHARACTERISTICS:
 - MATING FORCE: 35N (3.57 kgf) MAX.
 - MATING FORCE: 10N (1.02 kgf) MIN. (INITIAL); 8N (0.816 kgf) Min. (FINAL).
 - URABILITY: 5000 CYCLES.
- PLATING SPECIFICATION:
 - CONTACTS: GOLD PLATED G/F ON CONTACT AREA, 100u" MIN. MATTE-TIN ON SOLDER TAIL, WITH ENTIRE CONTACT UNDERPLATED 50u" MIN. NICKEL.
 - SHELL: 50u" MIN. NICKEL PLATED.



Pin NUMBER	SIGNAL NAME
1	VBUS
2	D-
3	D+
4	GND
5	StdA_SSRX-
6	StdA_SSRX+
7	GND_DRAIN
8	StdA_SSTX-
9	StdA_SSTX+
Shell	Shield

THIS DOCUMENT IS THE SOLE PROPERTY OF BBJconn Technology Co., Ltd. CORPORATION AND SHOULD NOT BE USED IN WHOLE OR IN PART WITHOUT PRIOR WRITTEN PERMISSION.
PDWG.NO: 0886-1

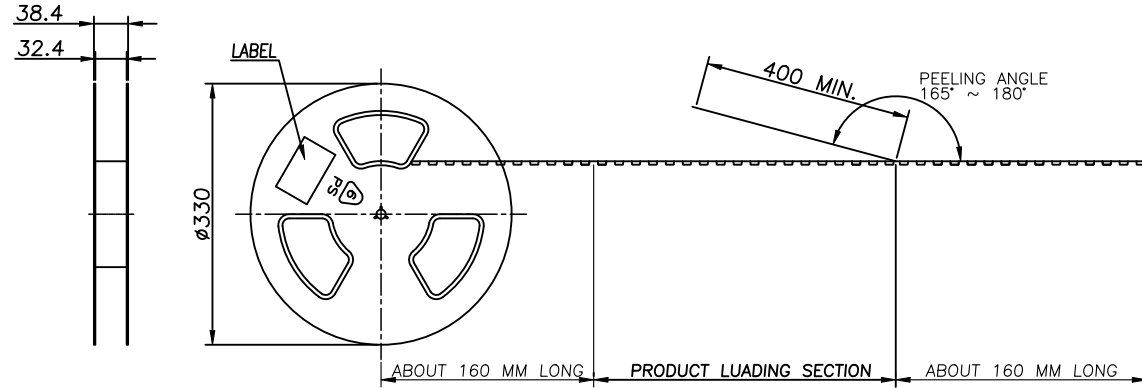
深圳市步步精科技有限公司

NAME: USB 3.0 A母 180度 DIP 四脚插 GEN2版过10G 卷边 不锈钢外壳 LCP蓝胶 锡脚1.20 H=14.50 加盖编带

APPD. JM_Zheng
CHKD. LYX
DR. TSP

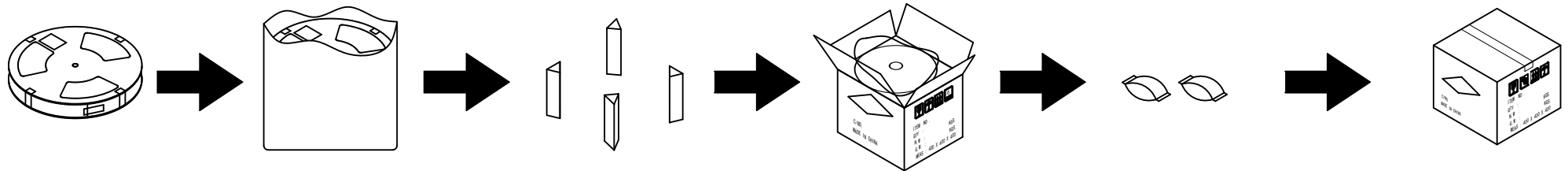
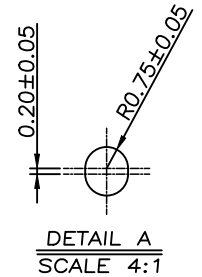
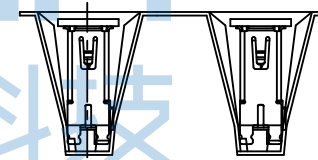
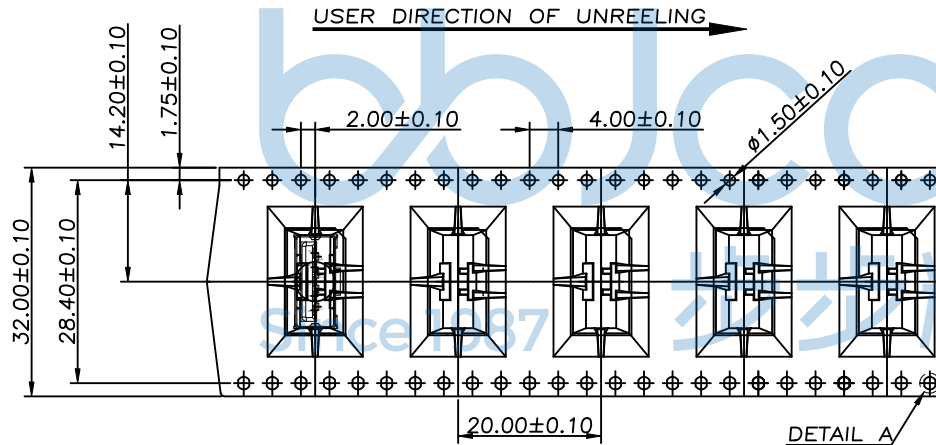
PJ. NO.: 127-275-090027-K4G
SIZE: A4 DRW NO.:
FINISH: SEE NOTES MAT'L.: SEE NOTES
SCALE: N/A REV.: A0 UNIT: mm PAGE: 1/2

REV.	ECN NO	CONTENT	DATE	ENGINEER
A0		Initial release	/	TSP



NOTE:

- MATERIAL:**
 BOX: FIBREBOARD, CORRUGATED, DOUBLE WALL.
 TAPE: POLYSTYRENES, HEAT-RESISTANT TEMPERATURE: 120°C, Transparent COLOR.
 REEL: POLYSTYRENES, HEAT-RESISTANT TEMPERATURE: 70°C, BLUE COLOR.
 BAG: POLYETHYLENE, HEAT-RESISTANT TEMPERATURE: 100°C.
- PEELING STRENGTH: 0.1 ~ 1.3 N (10 ~ 130 GRAMS)
- PEELING SPEED: 300 mm/min.
- EACH BAG SHALL BE INCLUDED DESICCANT.



Each reels contains 180 PCS

Each bag contains 10 reels

Put 4PCS corner protector in each box

Put 10PCS rolls in each box

Put 2PCS desiccant in each box

Box dimensions:350 X 350 X 400



THIS DOCUMENT IS THE SOLE PROPERTY OF BBJconn Technology Co.,Ltd Corporation AND SHOULD NOT BE USED IN WHOLE OR IN PART WITHOUT PRIOR WRITTEN PERMISSION.

PDWG.NO: 0886-1

深圳市步步精科技有限公司

.X: ±0.38	.X': ±3'	NAME: USB 3.0 A母 180度 DIP 四脚插 GEN2版过10G 卷边 不锈钢外壳 LCP蓝胶 锡脚1.20 H=14.50 加盖编带
.XX: ±0.25	.X': ±2'	PJ. NO.: 127-275-090027-K4G
.XXX: ±0.13	.XX': ±1'	SIZE: A4 DRW NO.:
APPD. JM_Zheng	FINISH: SEE NOTES	MAT'L.: SEE NOTES
CHKD. LYX	SCALE: N/A	REV.: AO
DR. TSP	UNIT: mm	PAGE: 2/2

180 PCS	10 R	1800 PCS	-- KG	-- KG
PSC/Reel	Reel/CARTON	QUANTITY	CROSS WEIGHT	NET WEIGHT