



REV.	ECN NO.	CONTENT	DATE	ENGINEER
A0		Initial release	/	SGF

NOTE:

1. MATERIAL:

- 1.1 INSULATOR:LCP/PA9T
- 1.2 CONTACT:BRASS(T=0.20mm)
- 1.3 SHELL:BRASS/SPCC(T=0.30mm)

2. ELECTRICAL CHARACTERISTICS:

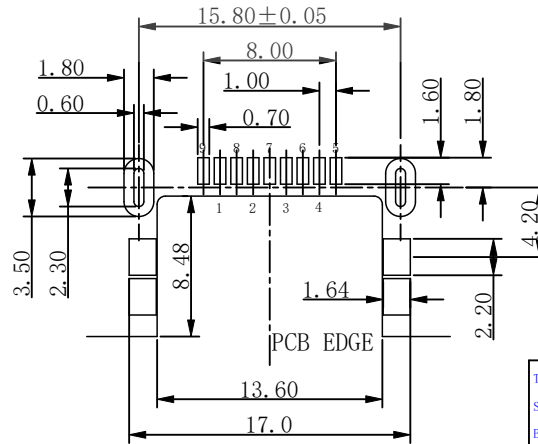
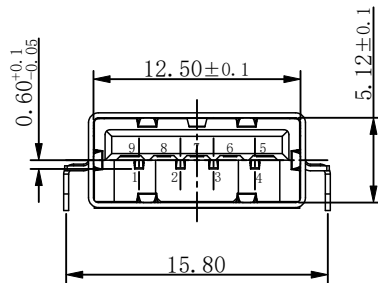
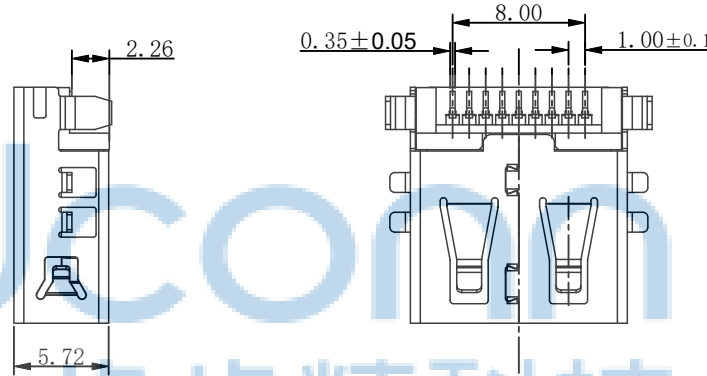
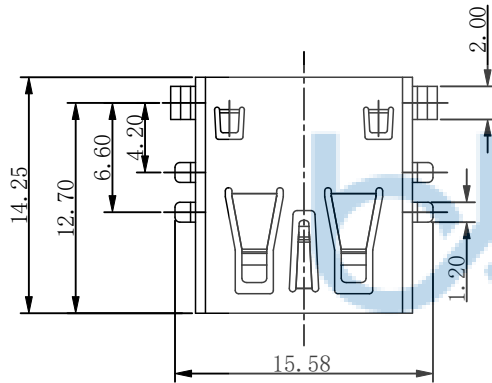
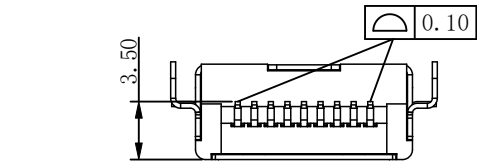
- 2.1 CONTACT RESISTANCE:30mΩ MAXIMUM
- 2.2 CONTACT CURRENT RATING:1.5A
- 2.3 DIELECTRIC WITHSTANDING VOLTAGE:500 V R. M. S.
- 2.4 INSULATION RESISTANCE 1000 MEGOHMS MIN
- 2.5 OPERATING TEMPERATURE:-40° C ~ 85° C

3 MECHANICAL CHARACTERISTICS:

- 3.1 MATING FORCE:3.57kg MAX
- 3.2 UNMATED FORCE:1.02kg MIN
- 3.3 DURABILITY:MANDATORY:1500 CYCLES

4. PLATING

- 4.1 TERMINAL:  
50u" MIN NICKEL ALL OVER  
100u"MIN Tin ON SOLDER AREA  
(1~30)u"Au ON CONTACT AREA
- 4.2 SHELL:50u"MIN. NICEL ALL OVER



RECOMMENDED PCBA LAYOUT  
(TOLERANCE+±0.05)



Pin NUMBER	SIGNAL NAME
1	VBUS
2	D-
3	D+
4	GND
5	StdA_SSRX-
6	StdA_SSRX+
7	GND_DRAIN
8	StdA_SSTX-
9	StdA_SSTX+
Shell	Shield

THIS DOCUMENT IS THE  
SOLE PROPERTY OF  
BBJconn Technology Co.,Ltd.  
Corporation AND SHOULD  
NOT BE USED IN WHOLE  
OR IN PART WITHOUT  
PRIOR WRITTEN PERMISSION.  
PDWG. NO: 0886-1

**深圳市步步精科技有限公司**

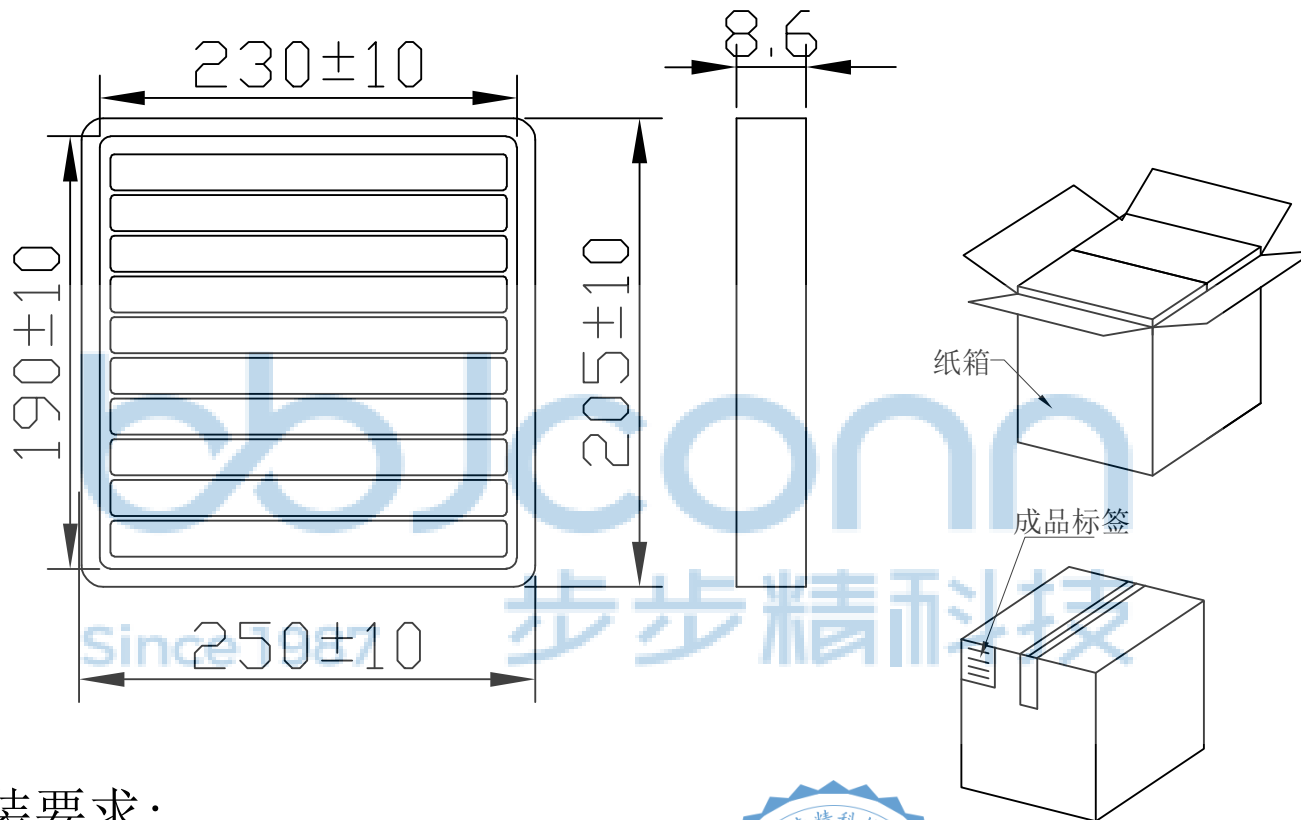
NAME: USB 3.0 A母 沉板2.26 SMT 前贴后插  
平口 不锈钢外壳 LCP蓝胶 L=14.25 盒装

PJ. NO.: 127-275-090030-K4G  
SIZE: A4 DRW NO.:

FINISH: SEE NOTES MAT'L.: SEE NOTES  
SCALE: N/A REV.: A0 UNIT: mm PAGE: 1/2

APPD.	JM_Zheng
CHKD.	LYX
DR.	SGF

REV.	ECN NO.	CONTENT	DATE	ENGINEER
A0		Initial release	/	SGF



1. 包装要求:

- 1.1 每盒吸塑盒包装100pcs;
- 1.2 每20盘放一箱, 共计2000PCS;
- 1.3 纸箱外贴上标签。

纸箱规格: 350\*210\*290



THIS DOCUMENT IS THE SOLE PROPERTY OF BBJconn Technology Co., Ltd. Corporation AND SHOULD NOT BE USED IN WHOLE OR IN PART WITHOUT PRIOR WRITTEN PERMISSION.		深圳市步步精科技有限公司 .X: ±0.38    .X': ±3' .XX: ±0.25    .X'': ±2' .XXX: ±0.13    .XX': ±1'		NAME: USB 3.0 A母 沉板2.26 SMT 前贴后插 平口 不锈钢外壳 LCP蓝胶 L=14.25 盒装	
APPD.	JM_Zheng	PJ. NO.: 127-275-090030-K4G		SIZE: A4   DRW NO.:	
CHKD.	LYX	FINISH: SEE NOTES		MAT'L.: SEE NOTES	
PDWG. NO:	0886-1	DR.	SGF	SCALE: N/A	REV.: A0   UNIT: mm   PAGE: 2/2