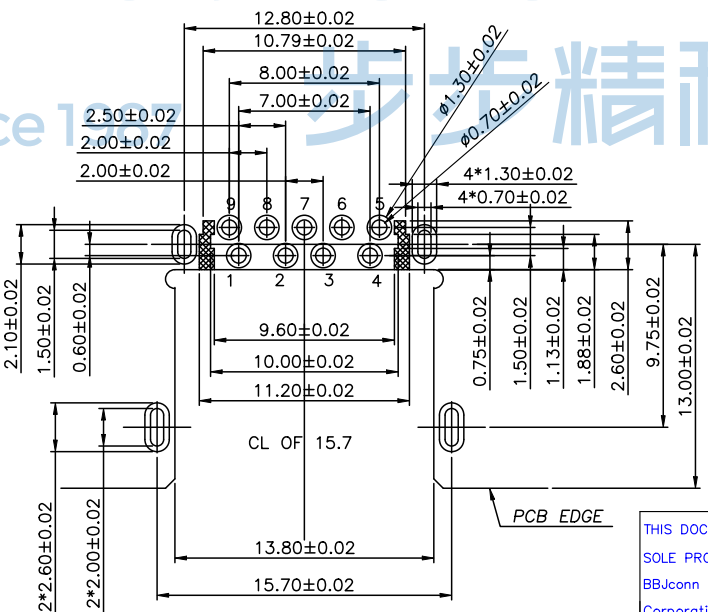
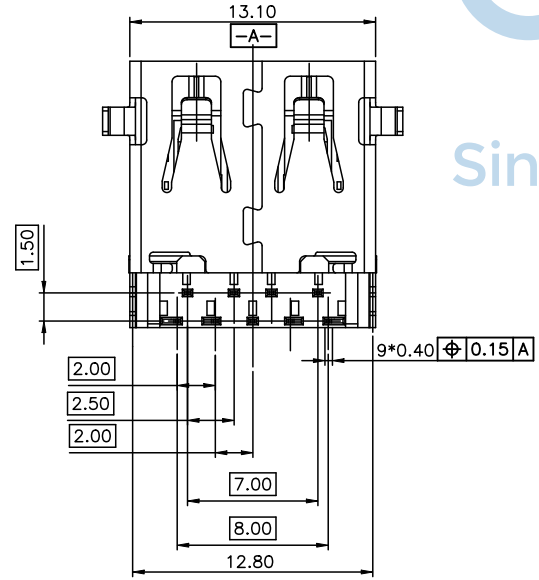
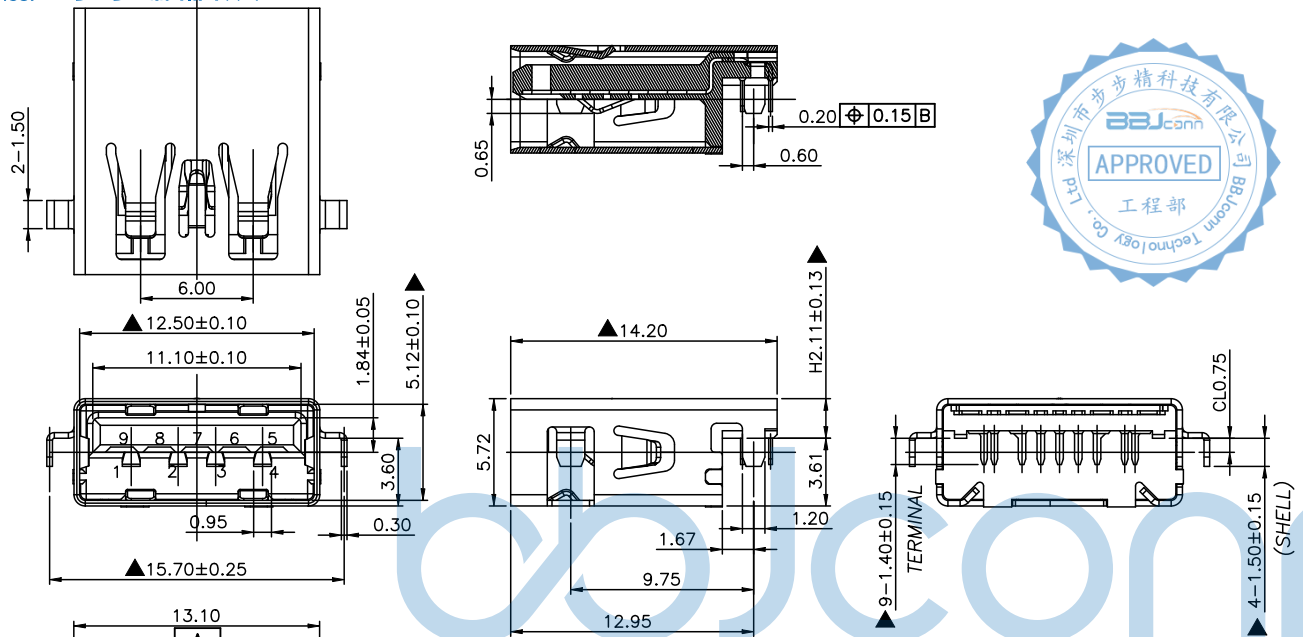


REV.	ECN NO.	CONTENT	DATE	ENGINEER
A0		Initial release	/	TSP



RECOMMENDED PCB LAYOUT

- NOTES:
- ELECTRONIC:
CONTACT RESISTANCE: 30mohm MAX
INSULATION RESISTANCE: 1000 Mohm MIN
WITHSTAND VOLTAGE: AC 500V,1min.
 - MECHANICAL:
DURABILITY: 5000 CYCLE.
 - ENVIRONMENT CHARACTERISTICS:
OPERING TEMPERATURE: -55°C TO +105°C
 - RECOMMANDER PCB THICKNESS 1.2 TO 1.60MM
 - 标标“▲”符的尺寸为重点检验尺寸;

No.	PART NAME	QTY	MATERIAL	REMARK
3	SHELL	1	STAINLESS	NI PLATED
2	CONTACT	9	COPPER ALLOY	AU/TIN PLATED
1	HOUSING	1	PA9T BLUE	(UL 94V-0)

THIS DOCUMENT IS THE SOLE PROPERTY OF BBJconn Technology Co.,Ltd. Corporation AND SHOULD NOT BE USED IN WHOLE OR IN PART WITHOUT PRIOR WRITTEN PERMISSION.

PDWG:NO: 0409-1

深圳市步步精科技有限公司

NAME: USB 3.0 AF 沉板3.60 L=14.20 四脚插端子DIP 平口 PA9T蓝胶 不锈钢外壳

APPD. JM_Zheng

CHKD. LYX

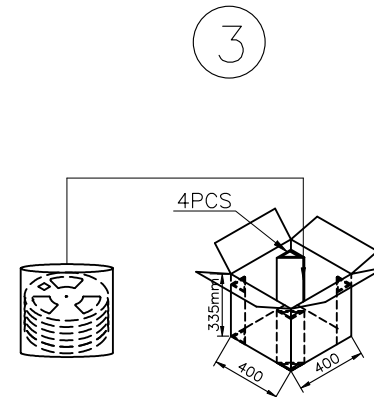
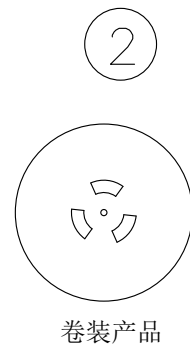
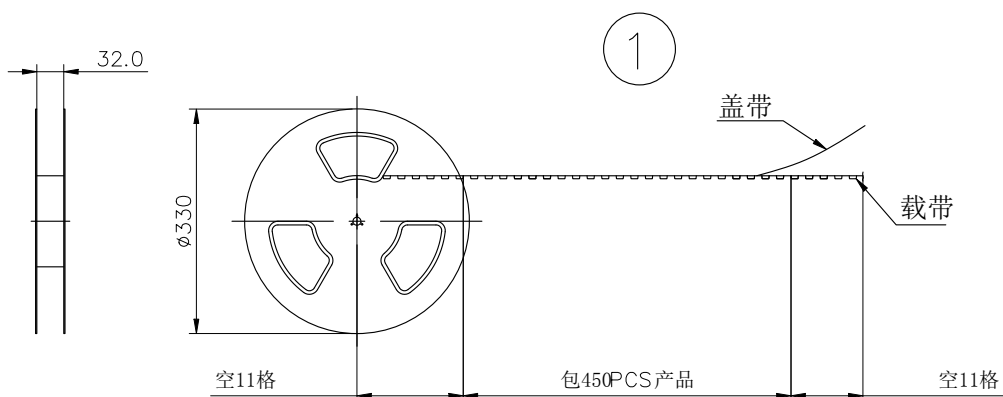
DR. TSP

PJ. NO.: 127-272-090003-H5G

SIZE: A4 DRW NO.:

FINISH: SEE NOTES MAT'L.: SEE NOTES

SCALE: N/A REV.: A0 UNIT: mm PAGE: 1/2



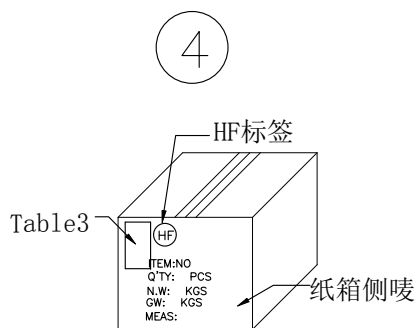
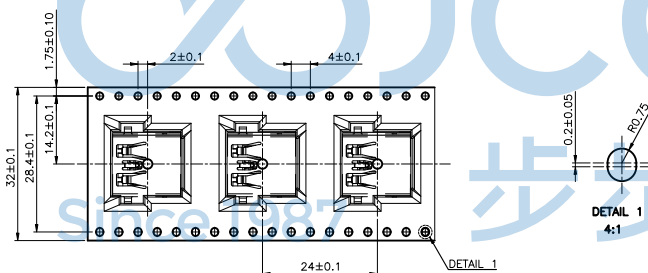
厂内包装方向 客户取料方向

2 每卷贴上内标签 (如图如示)

3-1. 将8盘装入PE胶袋,再放入纸箱中。
3-2. 纸箱4个角落用缓冲材料塞好,并盖上与之相配的纸板
3-3. 包装明细:

盘/每箱	PCS/每盘	PCS/每箱
8盘/每箱	450PCS/每盘	3600PCS/每箱

备注:
1. 载带材质: PS 透明
2. 盖带材质: PET 透明料



5-1. 外标签贴在外箱侧麦左上角, 环保标签贴在外标签右上角。

4-1 纸箱开口处以透明胶带贴合。
4-2 若有未装满的零数箱, 必须以缓冲材塞
4-3. 产品外包装标签贴法: (如上图)。



THIS DOCUMENT IS THE SOLE PROPERTY OF BBJconn Technology Co.,Ltd. Corporation AND SHOULD NOT BE USED IN WHOLE OR IN PART WITHOUT PRIOR WRITTEN PERMISSION.		深圳市步步精科技有限公司 .X: ±0.38 .X': ±3" .XX: ±0.25 .X'': ±2" .XXX: ±0.13 .X''': ±1"	
APPD.	JM_Zheng	NAME: USB 3.0 AF 沉板3.60 L=14.20 四脚插端子DIP 平口 PA9T蓝胶 不锈钢外壳	
CHKD.	LYX	PJ. NO.: 127-272-090003-H5G	
DR.	TSP	SIZE: A4 DRW NO.:	
PDWG.NO:	0409-1	FINISH: SEE NOTES MAT'L.: SEE NOTES	
		SCALE: N/A REV.: A0 UNIT: mm PAGE: 2/2	