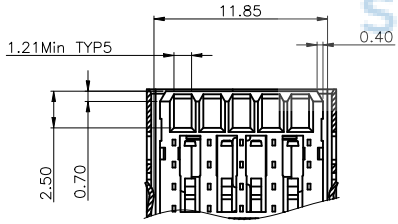
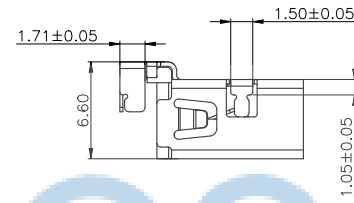
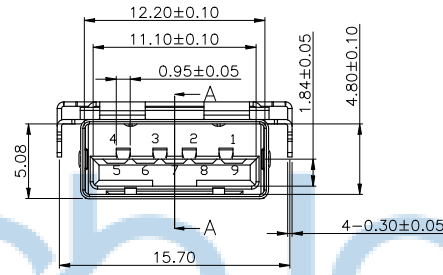
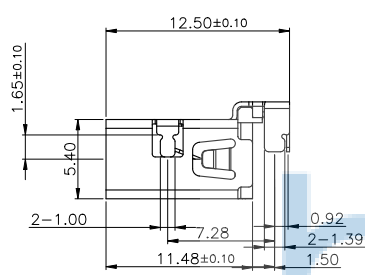
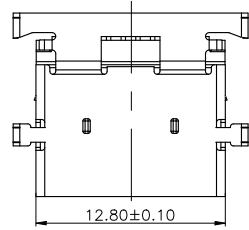
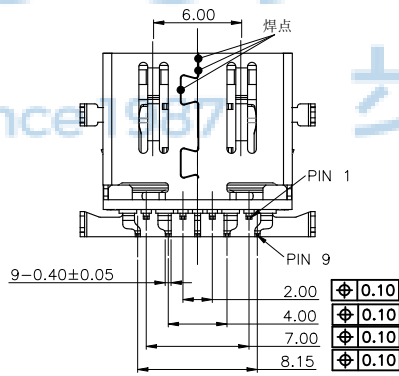


REV.	ECN NO.	CONTENT	DATE	ENGINEER
A0		Initial release	/	SGF

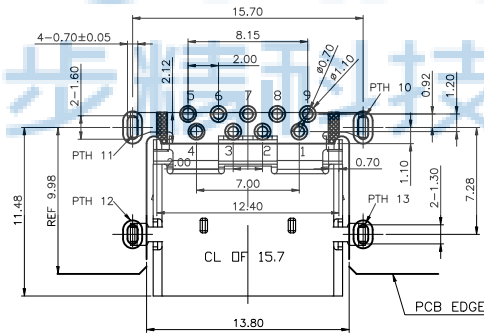
NOTE:
 1. MATERIAL:
 1.1 INSULATOR: HIGH TEMPERATURE PLASTIC UL 94 V-0; LCP BLUE
 1.2 CONTACT: COPPER ALLOY(T=0.2mm)
 1.3 SHELL: SUS201(T=0.30mm)
 2. ELECTRICAL CHARACTERISTICS:
 2.1 CONTACT RESISTANCE: 30m MAX.
 2.2 CONTACT CURRENT RATING: 1.5A
 2.3 DIELECTRIC WITHSTANDING VOLTAGE: 500 V R.M.S.
 2.4 INSULATION RESISTANCE 100 MEGOHMS M
 2.5 OPERATING TEMPERATURE: -55°C~85°C
 2.6 RATE VOLTAGE: 30V DC
 3. MECHANICAL CHARACTERISTICS:
 3.1 MATING FORCE: 10 N Min INITIAL; 8 N Min AFTER TEST
 3.2 UNMATED FORCE: 35 N Max
 3.3 DURABILITY: 5,000 CYCLES
 4. PLATING
 4.1 TERMINAL CONTACT: GOLD PLATING ALL OVER
 50u" MIN NICKEL AND 80u" MIN Matte Tin
 NICKEL IN SOLDER AREA (SEE TAB)
 4.2 SHELL: 50u" MIN. NICKEL ALL OVER



SECTION B-B



(BOTTOM VIEW)



TOLERANCE: ±0.05, THICKNESS: 1.0~1.2mm
 RECOMMENDED PCB LAYOUT
 (TOP VIEW)
 KEEP OUT AREA

Pin #	SIGNAL NAME	DESCRIPTION	MATING SEQUENCE
1	VBUS	POWER	SECOND
2	D-	USB 2.0 DIFFERENTIAL PAIR	THIRD
3	D+		
4	GND	GROUND FOR POWER RETURN	SECOND
5	StdA_SSRX-	SUPERSPEED RECEIVER DIFFERENTIAL PAIR	LAST
6	StdA_SSRX+		
7	GND_DRAIN	GROUND FOR SIGNAL RETURN	
8	StdA_SSTX-	SUPERSPEED TRANSMITTER DIFFERENTIAL PAIR	
9	StdA_SSTX+		
Shell	Shield	CONNECTOR METAL SHELL	FRIST



THIS DOCUMENT IS THE SOLE PROPERTY OF BBJconn Technology Co., Ltd. CORPORATION AND SHOULD NOT BE USED IN WHOLE OR IN PART WITHOUT PRIOR WRITTEN PERMISSION.
 PDWG.NO: 0471-1

深圳市步步精科技有限公司

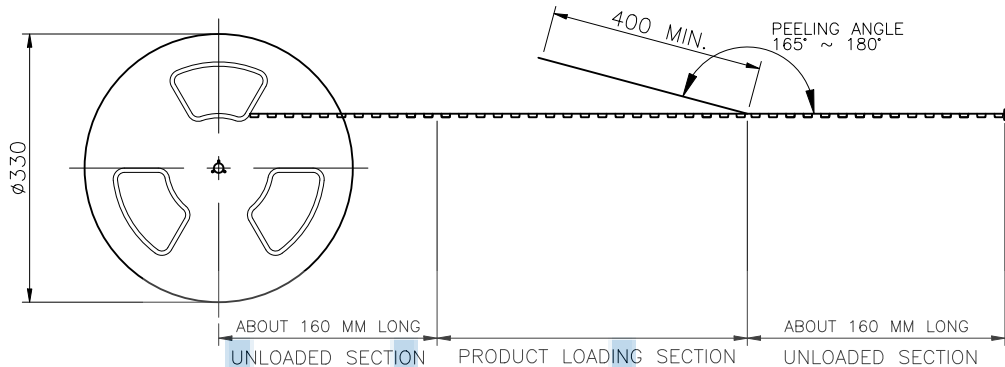
NAME: USB 3.0 A母 90度 短体 反向沉板 四脚插 端子DIP
 沉板5.1 L=12.50 平口 不锈钢外壳 编带

APPD: JM_Zheng
 CHKD: LYX
 DR: SGF

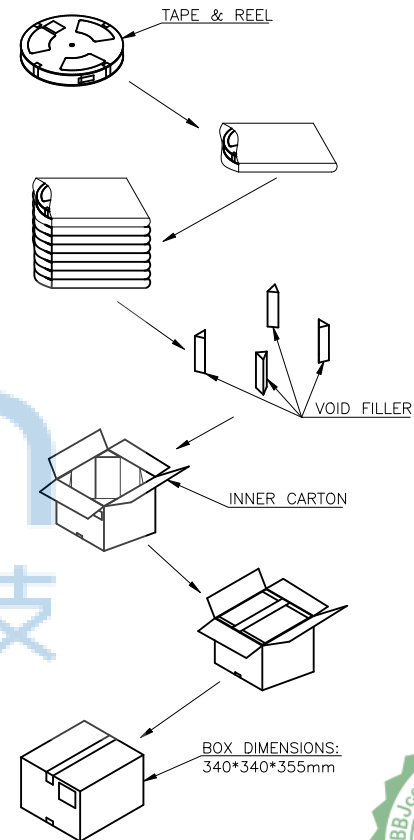
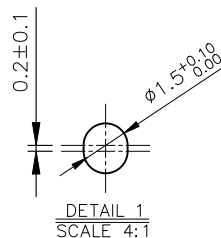
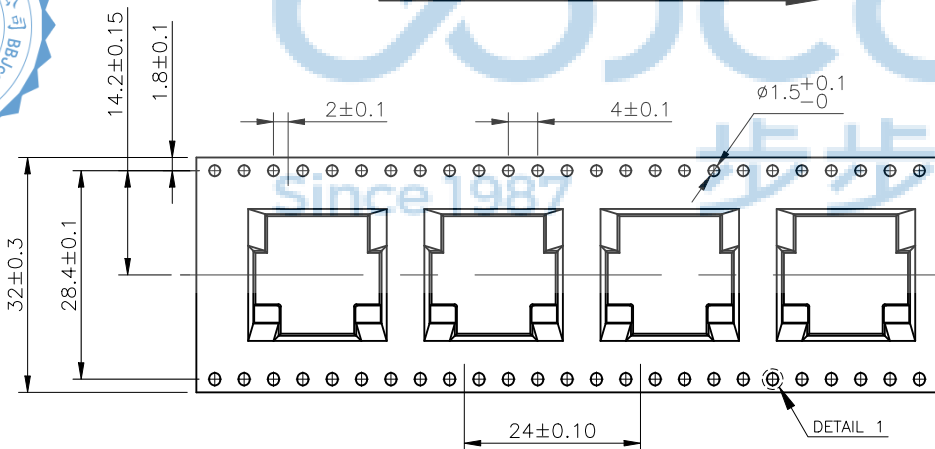
PJ. NO.: 127-272-090011-Y4G
 SIZE: A4 DRW NO.:
 FINISH: SEE NOTES MAT'L.: SEE NOTES
 SCALE: N/A REV.: A0 UNIT: mm PAGE: 1/2

REV.	ECN NO.	CONTENT	DATE	ENGINEER
A0		Initial release	/	SGF

38.4
32.4



USER DIRECTION OF UNREELING →



NOTE:

- MATERIAL:**
BOX: FIBREBOARD, CORRUGATED, DOUBLE WALL
TAPE: POLYSTYRENES, HEAT-RESISTANT TEMPERATURE: 120°C, BLACK COLOR.
REEL: POLYSTYRENES, HEAT-RESISTANT TEMPERATURE: 70°C, BLUE COLOR.
BAG: POLYETHYLENE, HEAT-RESISTANT TEMPERATURE: 100°C.
- PEELING STRENGTH: 0.1 ~ 1.3 N (10 ~ 130 GRAMS)
- PEELING SPEED: 300 mm/min.
- EACH BAG SHALL BE INCLUDED DESICCANT.

400	9	3600 PCS	-- KG	-- KG
PCS/ REEL	REELS/ CARTON	QUANTITY	GROSS WEIGHT	NET WEIGHT

THIS DOCUMENT IS THE

THIS DOCUMENT IS THE
SOLE PROPERTY OF
BBJconn Technology Co.,Ltd.
Corporation AND SHOULD
NOT BE USED IN WHOLE
OR IN PART WITHOUT
PRIOR WRITTEN PERMISSION.
PDWG:NO: 0471-1

深圳市步步精科技有限公司		NAME: USB 3.0 A母 90度 短体 反向沉板 四脚插 端子DIP 沉板5.1 L=12.50 平口 不锈钢外壳 编带	
.X: ±0.38 .XX: ±0.25 .XXX: ±0.13	X': ±3" .X': ±2" .XX': ±1"	APPD. JM_Zheng	PJ. NO.: 127-272-090011-Y4G
CHKD. LYX	DR. SGF	SIZE: A4 DRW NO.:	
FINISH: SEE NOTES		MAT'L.: SEE NOTES	
SCALE: N/A	REV.: A0	UNIT: mm	PAGE: 2/2