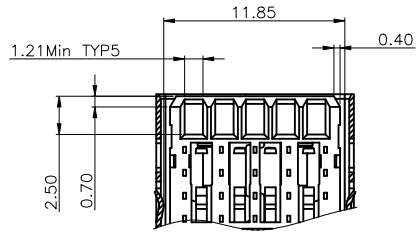


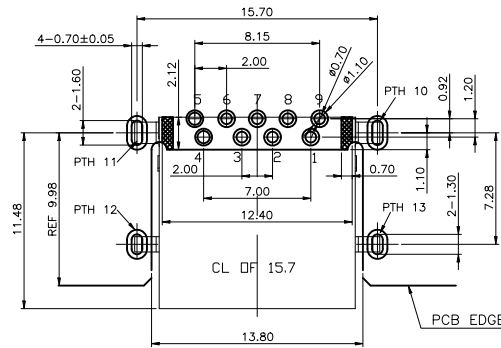


REV.	ECN NO	CONTENT	DATE	ENGINEER
A0		Initial release	/	LYL

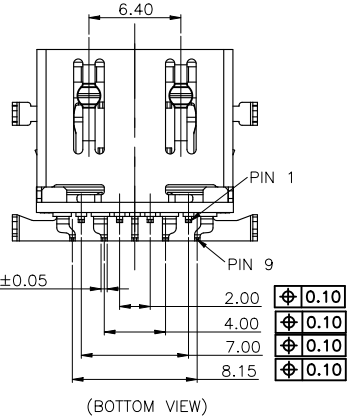
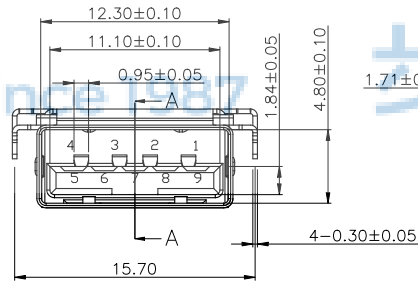
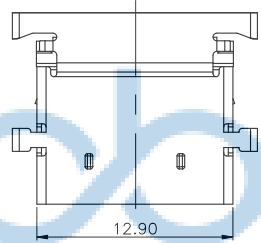
- NOTE:
- MATERIAL:
 - INSULATOR: HIGH TEMPERATURE PLASTIC UL 94 V-0;
 - CONTACT: COPPER ALLOY (T=0.2mm)
 - SHELL: SUS201 (T=0.30mm)
 - ELECTRICAL CHARACTERISTICS:
 - CONTACT RESISTANCE: 30m MAX.
 - CONTACT CURRENT RATING: 1.5A
 - DIELECTRIC WITHSTANDING VOLTAGE: 500 V R.M.S.
 - INSULATION RESISTANCE 100 MEGOHMS M
 - OPERATING TEMPERATURE: -55°C~85°C
 - RATE VOLTAGE: 30V DC
 - MECHANICAL CHARACTERISTICS:
 - MATING FORCE: 10 N Min INITIAL; 8 N Min AFTER TEST
 - UNMATED FORCE: 35 N Max
 - DURABILITY: 5,000 CYCLES
 - PLATING
 - TERMINAL CONTACT: GOLD PLATING ALL OVER
50u" MIN NICKEL AND 80u" MIN Matte Tin
NICKEL IN SOLDER AREA (SEE TAB)
 - SHELL: 50u" MIN. NICKEL ALL OVER



SECTION B-B



TOLERANCE: ±0.05, THICKNESS: 1.0~1.2mm
RECOMMENDED PCB LAYOUT
(TOP VIEW)
KEEP OUT AREA



(BOTTOM VIEW)

∅ 0.10
∅ 0.10
∅ 0.10
∅ 0.10



Pin #	SIGNAL NAME	DESCRIPTION	MATING SEQUENCE
1	VBUS	POWER	SECOND
2	D-	USB 2.0 DIFFERENTIAL PAIR	THIRD
3	D+		
4	GND	GROUND FOR POWER RETURN	SECOND
5	StdA_SSRX-	SUPERSPEED RECEIVER DIFFERENTIAL PAIR	LAST
6	StdA_SSRX+		
7	GND_DRAIN	GROUND FOR SIGNAL RETURN	
8	StdA_SSTX-	SUPERSPEED TRANSMITTER DIFFERENTIAL PAIR	
9	StdA_SSTX+		
Shell	Shield	CONNECTOR METAL SHELL	FRIST

THIS DOCUMENT IS THE SOLE PROPERTY OF BBJconn Technology Co., Ltd. Corporation AND SHOULD NOT BE USED IN WHOLE OR IN PART WITHOUT PRIOR WRITTEN PERMISSION.

PDWG. NO: 0471-1

APPD. JM_Zheng

CHKD. LYX

DR. LYL

深圳市步步精科技有限公司

NAME: USB 3.0 A母 反向沉板0.7 短体 四脚插 L=12.6 端子DIP 平口 不锈钢外壳 扁带

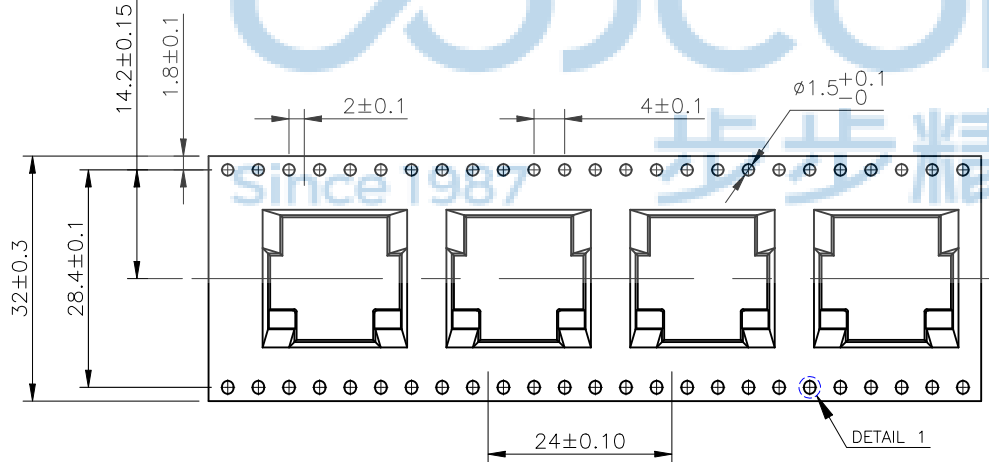
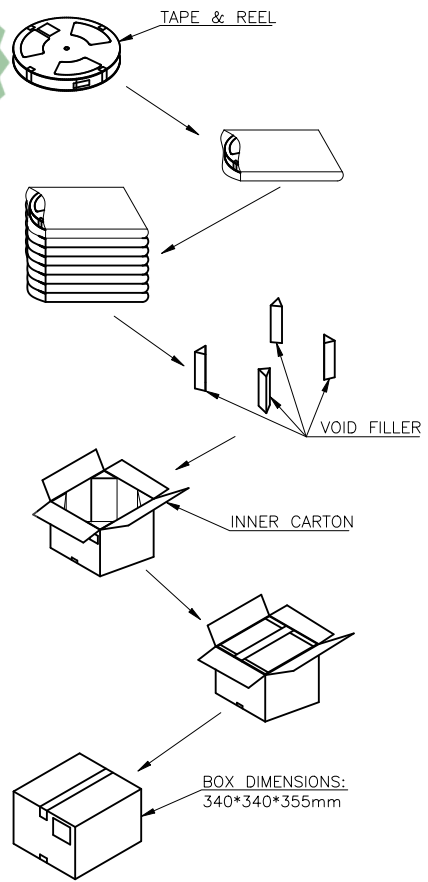
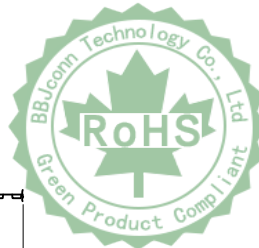
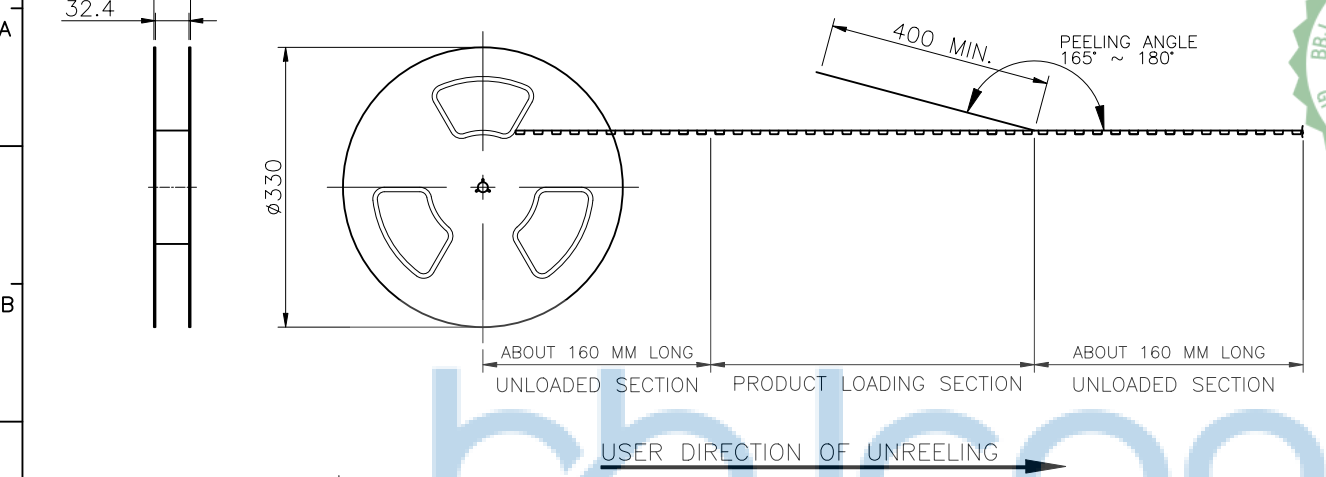
PJ. NO.: 127-272-090012-Y4G

SIZE: A4 DRW NO.:

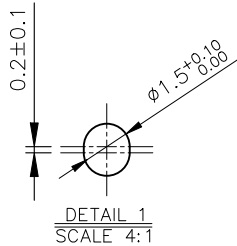
FINISH: SEE NOTES MAT'L.: SEE NOTES

SCALE: N/A REV.: A0 UNIT: mm PAGE: 1/2

REV.	ECN NO	CONTENT	DATE	ENGINEER
A0		Initial release	/	LYL



- NOTE:**
- MATERIAL:**
 BOX: FIBREBOARD, CORRUGATED, DOUBLE WALL.
 TAPE: POLYSTYRENES, HEAT-RESISTANT TEMPERATURE: 120°C, BLACK COLOR.
 REEL: POLYSTYRENES, HEAT-RESISTANT TEMPERATURE: 70°C, BLUE COLOR.
 BAG: POLYETHYLENE, HEAT-RESISTANT TEMPERATURE: 100°C.
 - PEELING STRENGTH: 0.1 ~ 1.3 N (10 ~ 130 GRAMS)
 - PEELING SPEED: 300 mm/min.
 - EACH BAG SHALL BE INCLUDED DESICCANT.



400	9	3600 PCS	-- KG	-- KG
PCS/ REEL	REELS/ CARTON	QUANTITY	GROSS WEIGHT	NET WEIGHT

THIS DOCUMENT IS THE SOLE PROPERTY OF BBJconn Technology Co.,Ltd. Corporation AND SHOULD NOT BE USED IN WHOLE OR IN PART WITHOUT PRIOR WRITTEN PERMISSION.

PDWG:NO: 0471-1

APPD. JM_Zheng
CHKD. LYX
DR. LYL

NAME: USB 3.0 A母 反向沉板0.7 短体 四脚插 L=12.6 端子DIP 平口 不锈钢外壳 编带

PJ. NO.: 127-272-090012-Y4G
SIZE: A4 DRW NO.:
FINISH: SEE NOTES MAT'L.: SEE NOTES
SCALE: N/A REV.: A0 UNIT: mm PAGE: 2/2