

REV	ECN NO	CONTENT	DATE	ENGINEER
A0		INITIAL RELEASE	/	SGF



NOTE:

1.MATERIAL:

- 1.1 INSULATOR:LCP UL 94V-0
- 1.2 CONTACT:BRONZE(T=0.20mm)
- 1.3 SHELL:SUS201(T=0.30mm)

2.ELECTRICAL CHARACTERISTICS;

- 2.1 CONTACT RESISTANCE:30mΩ MAXIMUM
- 2.2 CONTACT CURRENT RATING:1.5A
- 2.3 DIELECTRIC WITHSTANDING VOLTAGE:500 V R.M.S.
- 2.4 INSULATION RESISTANCE 1000 MEGOHMS MIN
- 2.5 OPERATING TEMPERATURE:-40°C ~ 85°C

3 MECHANICAL CHARACTERISTICS:

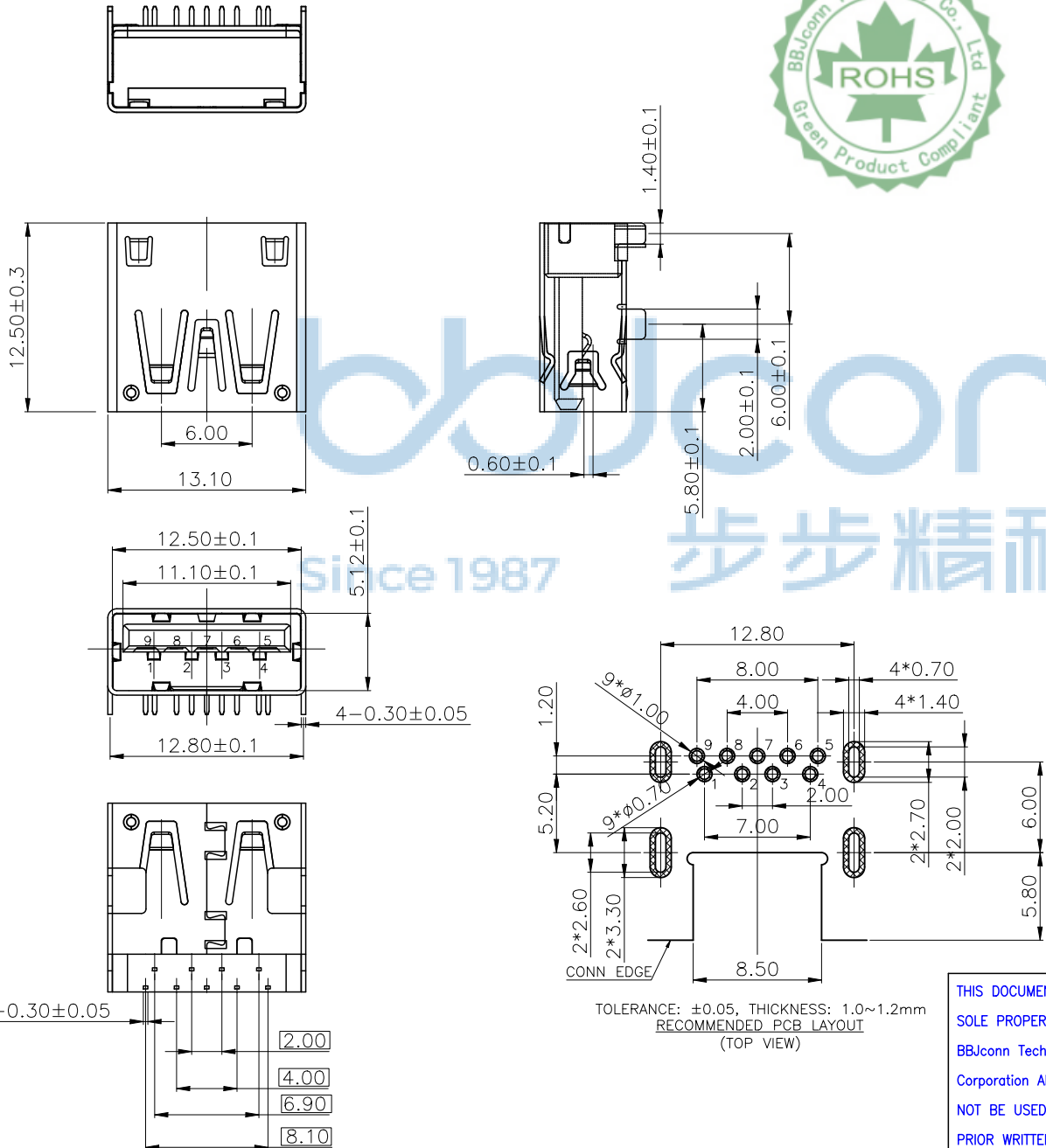
- 3.1 MATING FORCE:3.57kg MAX
- 3.2 UNMATED FORCE:1.02kg MIN
- 3.3 DURABILITY:MANDATORY:5,000 CYCLES

4.PLATING

4.1 TERMINAL:

- 50u" MIN NICKEL ALL OVER
- 100u"MIN Tin ON SOLDER AREA
- (1~30)u"Au ON CONTACT AREA

4.2 SHELL:100u"MIN.NICEL ALL OVER



TOLERANCE: ±0.05, THICKNESS: 1.0~1.2mm
RECOMMENDED PCB LAYOUT
(TOP VIEW)



Pin NUMBER	SIGNAL NAME
1	VBUS
2	D-
3	D+
4	GND
5	StdA_SSRX-
6	StdA_SSRX+
7	GND_DRAIN
8	StdA_SSTX-
9	StdA_SSTX+
Shell	Shield

THIS DOCUMENT IS THE SOLE PROPERTY OF BBJconn Technology Co.,Ltd. Corporation AND SHOULD NOT BE USED IN WHOLE PRIOR WRITTEN PERMISSION.

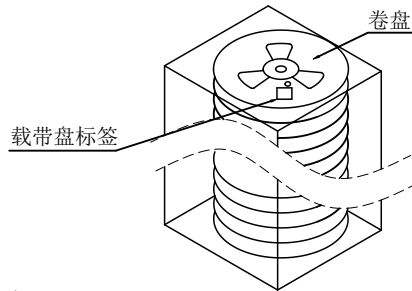
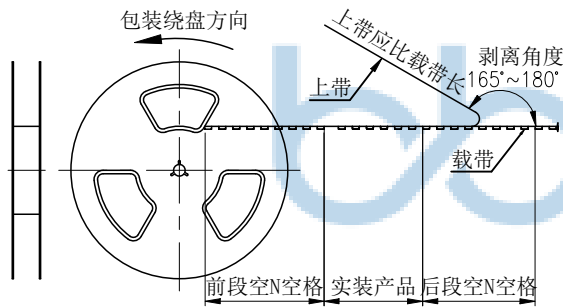
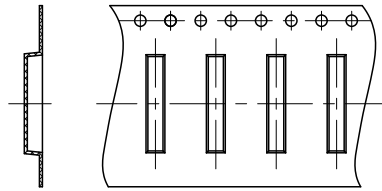
PDWG NO: 0471-1

APPD: JM_Zheng
CHKD: LYX
DR: SGF

NAME: USB 3.0 AF 90度 板上四脚插 端子DIP
平口 L=12.50 LCP蓝胶 不锈钢外壳 编带

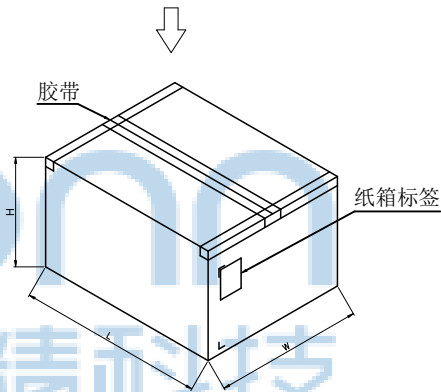
PJ NO: 127-272-090014-Y4G
SIZE:A4 DRW NO:
FINISH:SEE NOTES MAT'L:SEE NOTES
SCALE:N/A REV:A0 UNIT:mm PAGE:1/2

REV	ECN NO	CONTENT	DATE	ENGINEER
AO		INITIAL RELEASE	/	SGF



备注:

- 1、包装数量: 400/PCS/卷, 10卷/箱。
- 2、包装袋长度: 每卷前后各空10-20个空格, 中间包装。
- 3、材质:
载体: 聚丙烯 (PS), 阻抗 $10^{6-9} \Omega$
上带: 聚乙烯 (PET), 阻抗 $10^{6-11} \Omega$
卷盘: 聚苯乙烯。



纸箱规格: W400*L400*H390MM



THIS DOCUMENT IS THE SOLE PROPERTY OF BBJconn Technology Co.,Ltd. Corporation AND SHOULD NOT BE USED IN WHOLE PRIOR WRITTEN PERMISSION. PDWG NO: 0471-1	深圳市步步精科技有限公司		NAME: USB 3.0 AF 90度 板上四脚插 端子DIP 平口 L=12.50 LCP蓝胶 不锈钢外壳 编带	
	APPD	JM_Zheng	PJ NO: 127-272-090014-Y4G SIZE:A4 DRW NO:	FINISH:SEE NOTES MAT'L:SEE NOTES SCALE:N/A REV:AO UNIT:mm PAGE:2/2
	CHKD	LYX		
	DR	SGF		