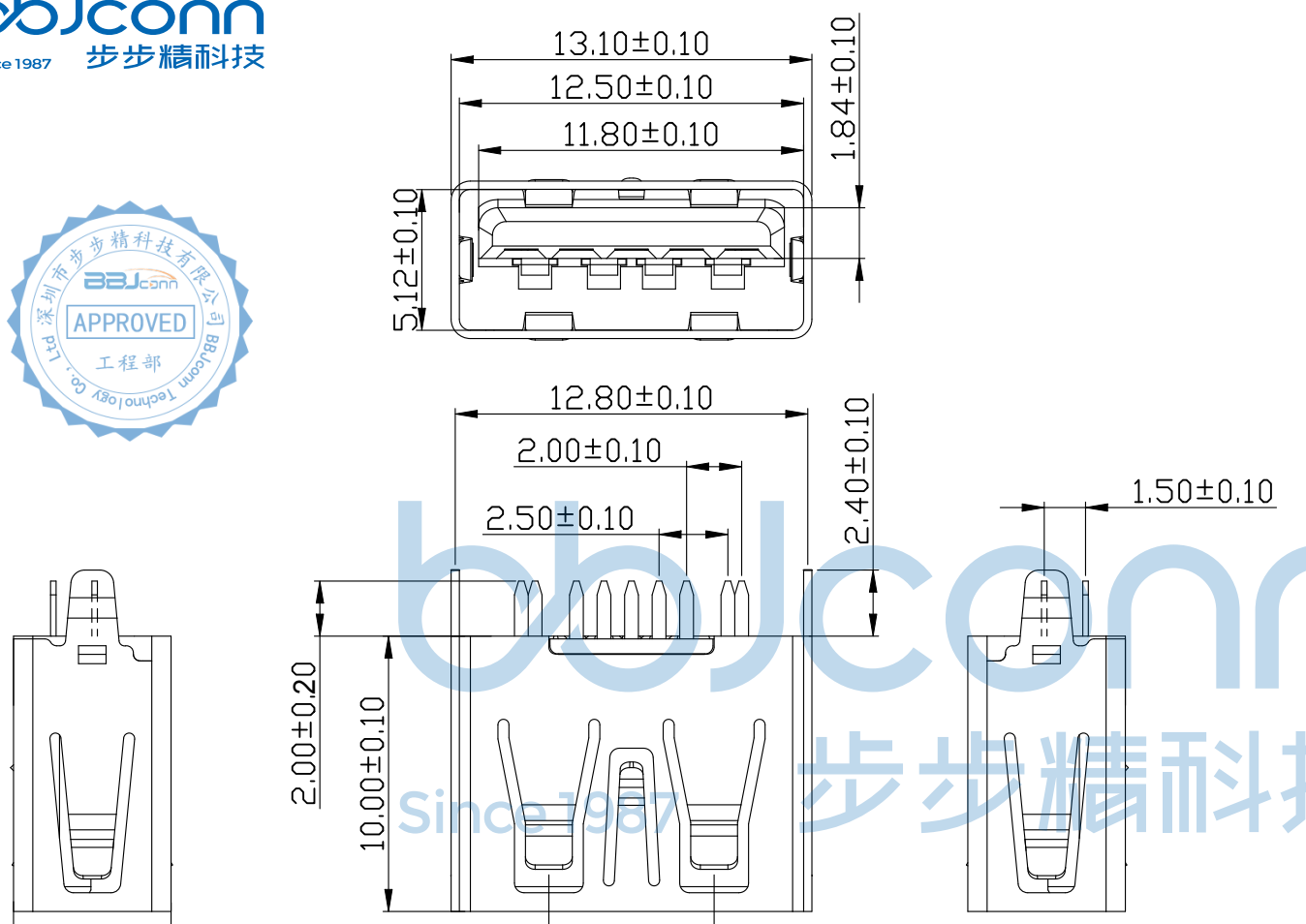


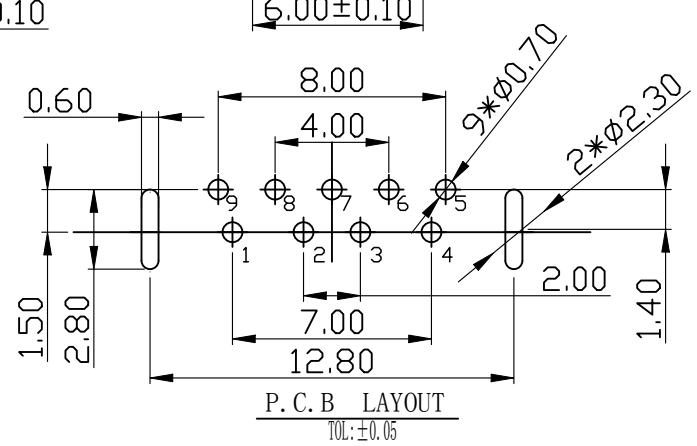


REV.	ECN NO	CONTENT	DATE	ENGINEER
A0		Initial release	/	TSP

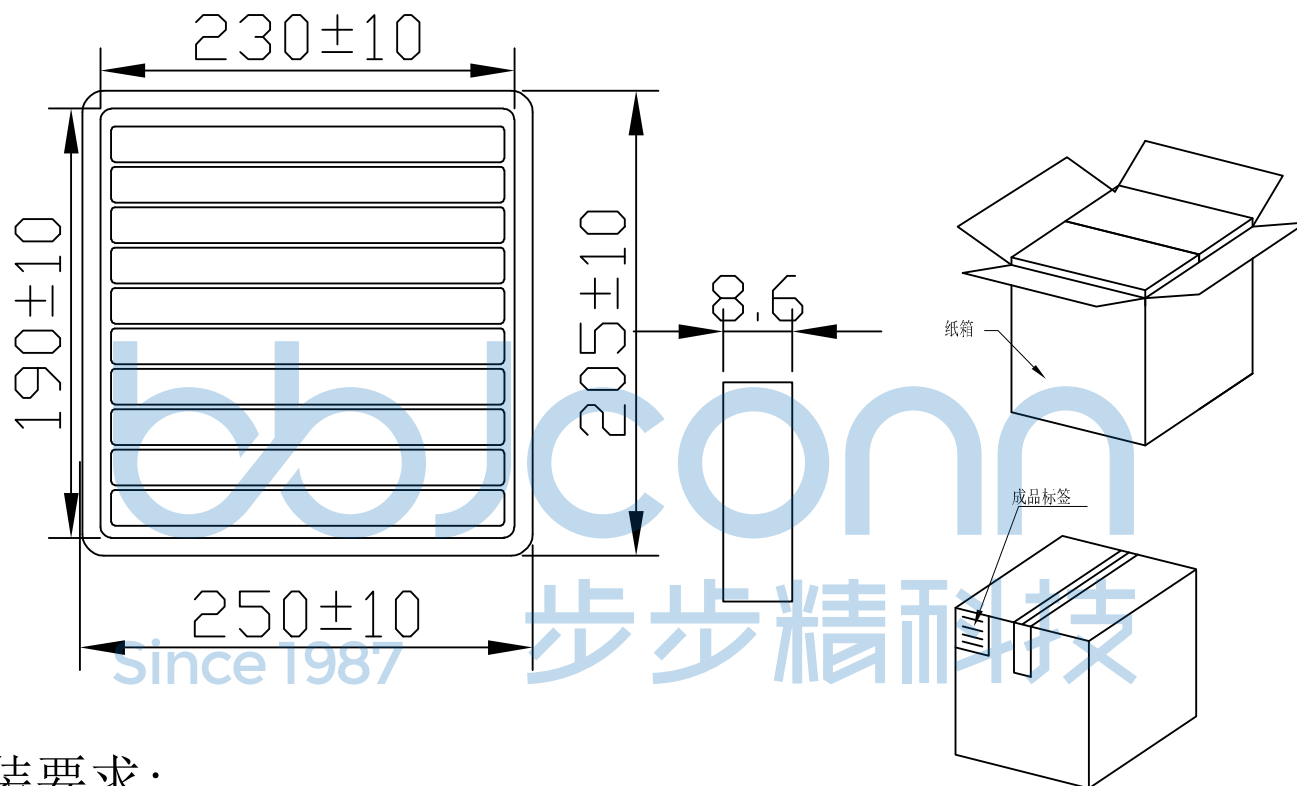
NOTE:  
 1. MATERIAL:  
 1.1 INSULATOR:PBT & PA9T &LCP  
 1.2 CONTACT:COPPER ALLOY C5191  
 1.3 SHELL:SUS201 SPCC  
 2. ELECTRICAL CHARACTERISTICS:  
 2.1 CONTACT RESISTANCE:30mΩ MAXIMUM  
 2.2 CONTACT CURRENT RATING:1.5A  
 2.3 DIELECTRIC WITHSTANDING VOLTAGE:100 V R. M. S.  
 2.4 INSULATION RESISTANCE 100 MEGOHMS MIN  
 2.5 OPERATING TEMPERATURE:-20° C ~ 60° C  
 3. PLATING  
 3.1 TERMINAL:  
 50u" MIN NICKEL ALL OVER  
 100u"MIN Tin ON SOLDER AREA  
 (1~30)u"Au ON CONTACT AREA  
 3.2 SHELL:80u"MIN. NICEL ALL OVER



Pin NUMBER	SIGNAL NAME
1	VBUS
2	D-
3	D+
4	GND
5	StdA_SSRX-
6	StdA_SSRX+
7	GND_DRAIN
8	StdA_SSTX-
9	StdA_SSTX+
Shell	Shield



THIS DOCUMENT IS THE SOLE PROPERTY OF BBJconn Technology Co.,Ltd Corporation AND SHOULD NOT BE USED IN WHOLE OR IN PART WITHOUT PRIOR WRITTEN PERMISSION.		深圳市步步精科技有限公司 NAME: USB 3.0 AF 180度 H=10.0 直脚 直插 端子DIP 平口 LCP黑胶 不锈钢外壳 APPD. JM_Zheng CHKD. LYX DR. TSP PDWG.NO: 0471-1	
.X: ±0.38	.XX: ±0.25	.X': ±3"	.X'': ±2"
.XXX: ±0.13	.XX': ±1"	PJ. NO.: UB.03.12-13-W002 SIZE: A4 DRW NO.: FINISH: SEE NOTES MAT'L.: SEE NOTES SCALE: N/A REV.: A0 UNIT: mm PAGE: 1/2	



纸箱规格: 350\*210\*290

1. 包装要求:
- 1.1 每盒吸塑盒包装100pcs;
  - 1.2 每20盘放一箱, 共计2000PCS;
  - 1.3 纸箱外贴上标签。

THIS DOCUMENT IS THE SOLE PROPERTY OF BBJconn Technology Co.,Ltd Corporation AND SHOULD NOT BE USED IN WHOLE OR IN PART WITHOUT PRIOR WRITTEN PERMISSION.		深圳市步步精科技有限公司	
PDWG.NO: 0471-1		.X: ±0.38 .XX: ±0.25 .XXX: ±0.13	X': ±3" .X': ±2" .XX': ±1"
APPD.	JM_Zheng	NAME: USB 3.0 AF 180度 H=10.0 直脚 直插 端子DIP 平口 LCP黑胶 不锈钢外壳	
CHKD.	LYX	PJ. NO.: UB.03.12-13-W002	
DR.	TSP	SIZE: A4 DRW NO.:	
		FINISH: SEE NOTES	MAT'L.: SEE NOTES
		SCALE: N/A	REV.: A0 UNIT: mm PAGE: 2/2