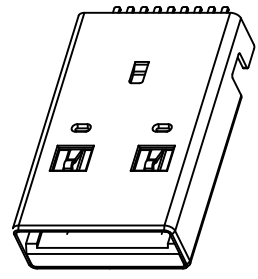
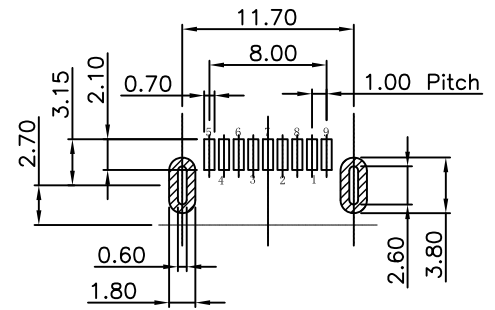
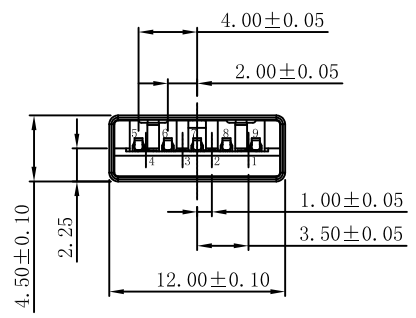


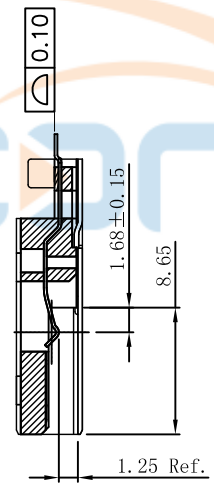
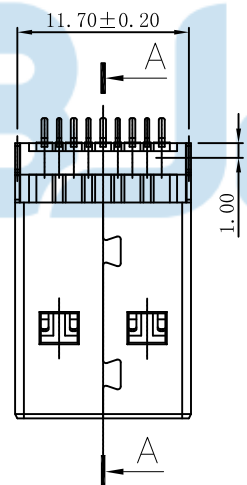
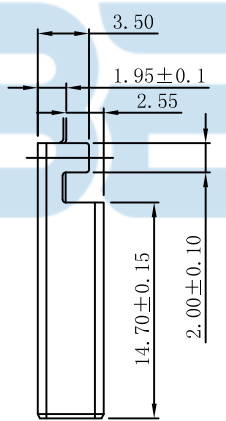
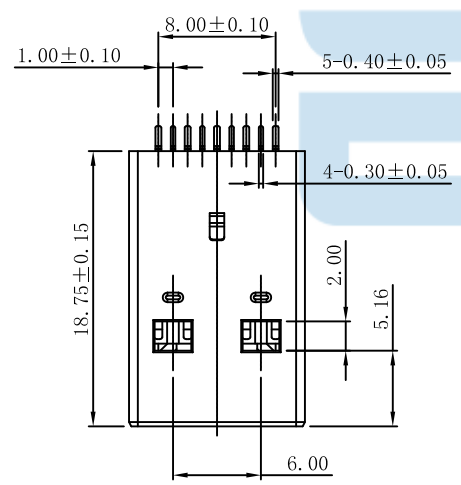


REV.	DESCRIPTION	NAME	DATE
A	NEWS ISSUE		



Notes:

- Material:
 - Insulator : Thermoplastic G.F. UL94V-0, BULE
 - Contacts : Copper Alloy
 - Shell : SPCC
- Environmental :
 - 55° C to +105° C
- Electrical
 - Voltage : 30VAC(R.M.S)
 - Current Rating : 1.5 Ampere Min.
 - Contact resistance : 30 Milliohms Max.
 - Insulation resistance : 100 Megohms Min.
 - Dielectric withstanding voltage : 500 VAC
- Finish
 - Shell : 50u" min. Nickel
 - Contacts : 1~30u" min. Gold on mating area. 100u' min. Tin on the tails.



NO.	PART NAME	MATERIAL	DESCRIPTION
3	外壳	BRASS C2680/SUS201/SPCC	NICKEL PLATED
2	端子	COPPER ALLOY C5191	GOLD/TIN PLATED
1	胶芯	HIGH TEMPERATURE PLASTIC LCP	UL94V-0

Pin NUMBER	SIGNAL NAME
1	VBUS
2	D-
3	D+
4	GND
5	StdA_SSRX-
6	StdA_SSRX+
7	GND_DRAIN
8	StdA_SSTX-
9	StdA_SSTX+
Shell	Shield

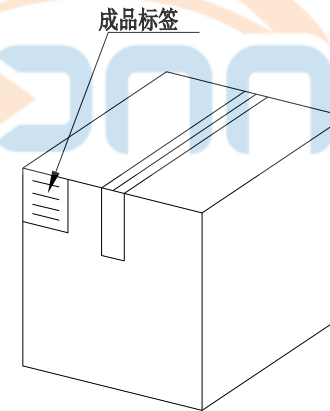
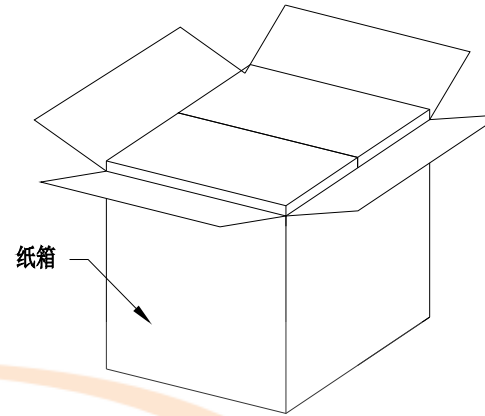
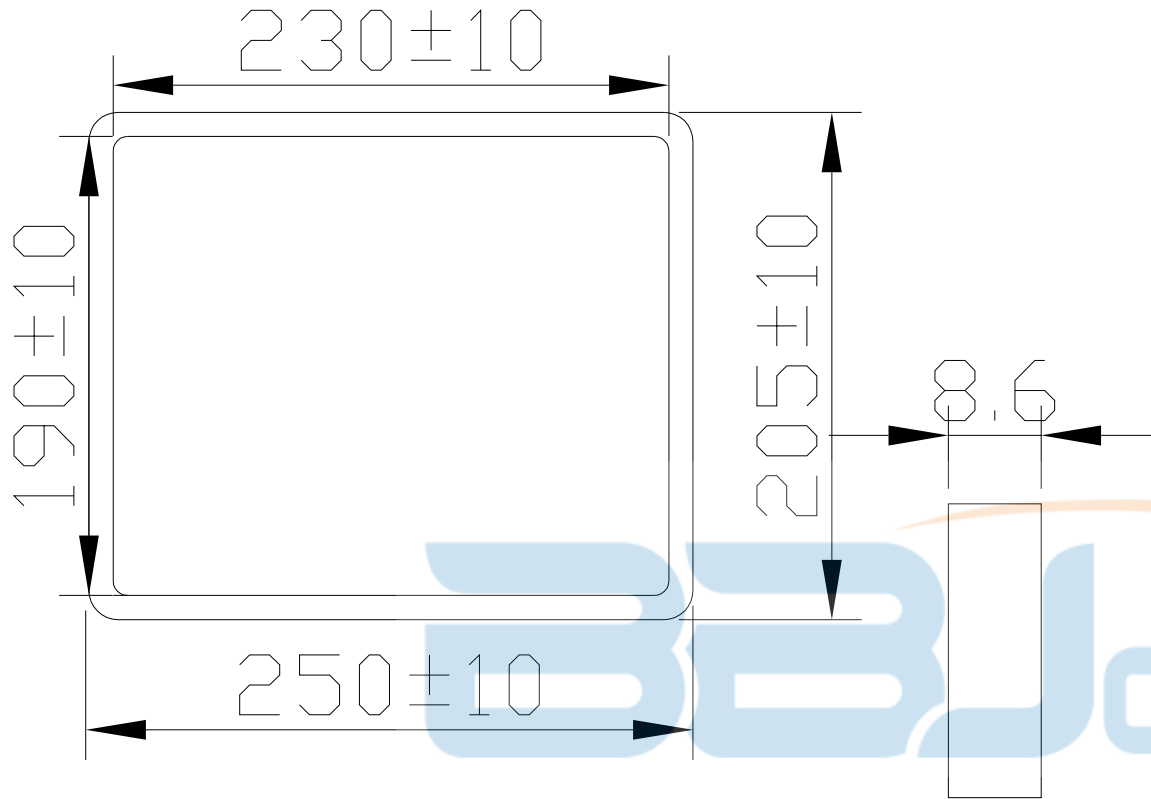


TOLERANCE UNSPECIFIED
 .0 ±0.35
 .00 ±0.25
 .000 ±0.15
 X.° ±2.00°
 CUSTOMER DRAWING

深圳市步步精科技有限公司

TITLE:USB 3.0 公头 90度 直脚 端子(SMT) L=18.75 沉板2.55 无柱 平口 LCP蓝胶 铁壳

DRAWN/ DATE	设计 TSP	SIZE:A4	UNIT:MM.	PART. NO: UB.04.22-31-W001
CHECKED/ DATE	审核 LYX	SCALE: 1:1	PROJECTION	REV.: 版本
APPROVED/ DATE	核准 LJP	DWG. PATH	0471-1	SHEET: 页码



纸箱规格: 350*210*290

1. 包装要求:

- 1.1 每盒吸塑盒包装100 pcs;
- 1.2 每20盘放一箱, 共计2000PCS;
- 1.3 纸箱外贴上标签



TOLERANCE UNSPECIFIED		深圳市步步精科技有限公司 TITLE: USB 3.0 公头 90度 直脚 端子(SMT) L=18.75 沉板2.55 无柱 平口 LCP蓝胶 铁壳							
.0	±0.35								
.00	±0.25	DRAWN/ DATE		设计	TSP	SIZE: A4	UNIT: MM.	PART. NO: UB.04.22-31-W001	
.000	±0.15	CHECKED/ DATE		审核	LYX	SCALE: 1:1		PROJECTION	REV.: 版本
X.°	±2.00°	APPROVED/ DATE		核准	LJP	DWG. PATH	0471-1		SHEET: 页码
CUSTOMER DRAWING									