



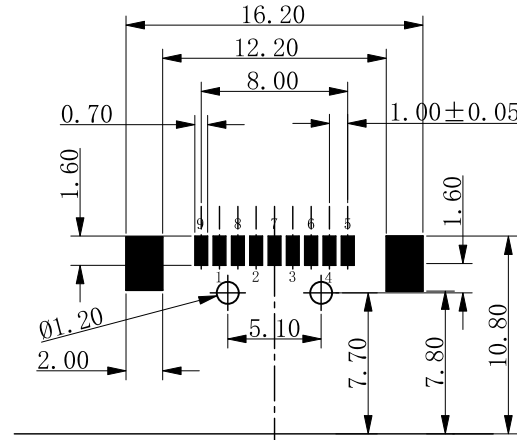
A

B

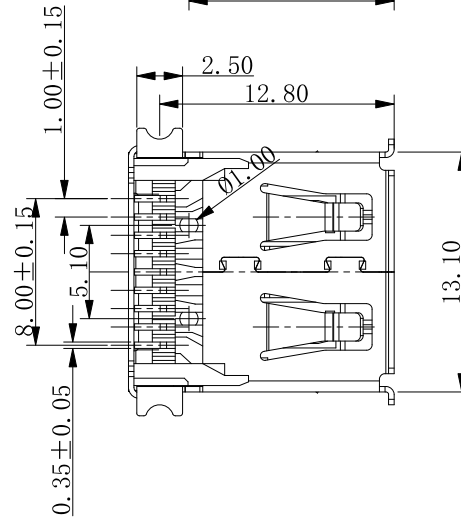
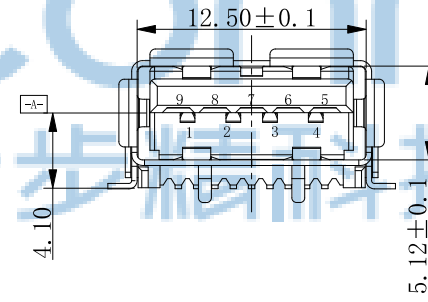
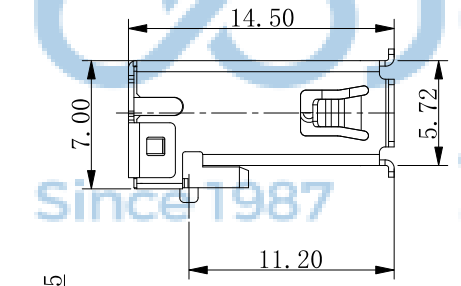
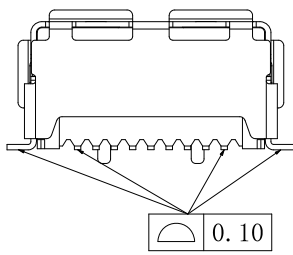
C

D

E



PCB EDGE
RECOMMENDED PCB LAYOUT



Pin NUMBER	SIGNAL NAME
1	VBUS
2	D-
3	D+
4	GND
5	StdA_SSRX-
6	StdA_SSRX+
7	GND_DRAIN
8	StdA_SSTX-
9	StdA_SSTX+
Shell	Shield

REV.	ECN NO	CONTENT	DATE	ENGINEER
A0			2023/20/04	

- NOTE:
- MATERIAL:
 - INSULATOR: LCP UL 94V-0
 - CONTACT: BRONZE C5191
 - SHELL: BRASS C2680
 - ELECTRICAL CHARACTERISTICS:
 - CONTACT RESISTANCE: 30mΩ MAXIMUM
 - CONTACT CURRENT RATING: 1.5A
 - DIELECTRIC WITHSTANDING VOLTAGE: 100 V AC R.M.S.
 - INSULATION RESISTANCE 100 MEGOHMS MIN
 - OPERATING TEMPERATURE: -40°C ~ 85°C
 - MECHANICAL CHARACTERISTICS:
 - MATING FORCE: 3.57kgf MAX
 - UNMATED FORCE: 0.82kgf MIN AFTER TEST
 - DURABILITY MANDATORY: 1200 CYCLES
 - PLATING
 - TERMINAL:
 - 50u" MIN NICKEL ALL OVER
 - 80u" MIN Tin ON SOLDER AREA
 - (1~30)u" Au ON CONTACT AREA
 - SHELL: 100u" MIN. NICEL ALL OVER



THIS DOCUMENT IS THE SOLE PROPERTY OF BBJconn Technology Co., Ltd Corporation AND SHOULD NOT BE USED IN WHOLE OR IN PART WITHOUT PRIOR WRITTEN PERMISSION.

PDWG.No.: 0471-1

DR. LYX 23/05'02

APPD. JM_Zheng 23/05'02

CHKD. TSP 23/05'02

深圳市步步精科技有限公司

.X: ±0.38 .XX: ±0.25 .XXX: ±0.13 X': ±3' X'': ±2' X''': ±1'

NAME: USB 3.0 AF 两脚全贴 带柱 L=14.50 SMT 卷边 LCP蓝胶 铜壳

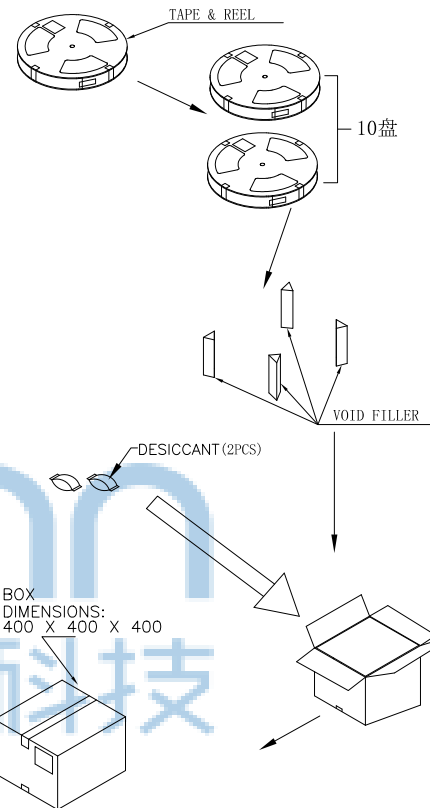
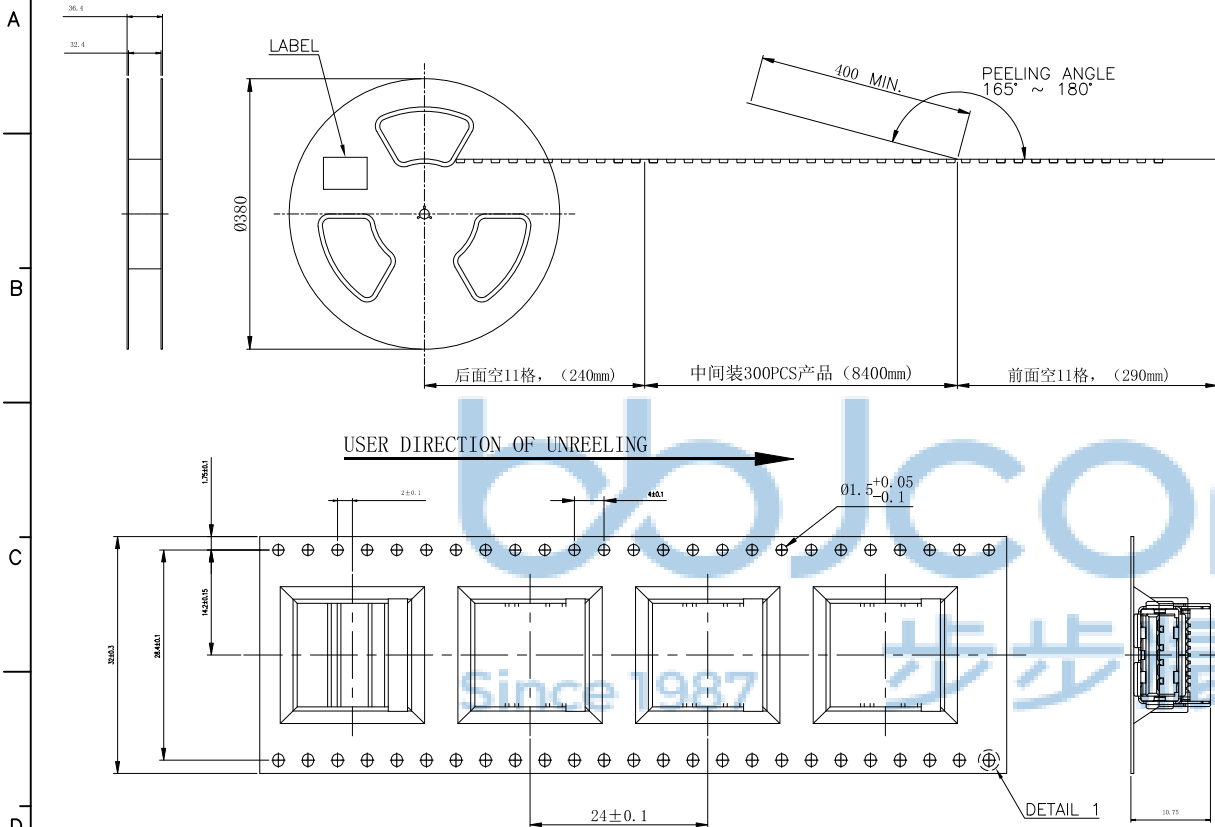
PJ. NO.: 127-271-090006-Y4G

SIZE: A4 DRW NO.:

FINISH: SEE NOTES MAT'L.: SEE NOTES

SCALE: N/A REV.: A3 UNIT: mm PAGE: 1/1

REV.	ECN NO	CONTENT	DATE	ENGINEER
A0			2023 20/04	



NOTE:

- MATERIAL:**
BOX: FIBREBOARD, CORRUGATED, DOUBLE WALL.
TAPE: POLYSTYRENES, HEAT-RESISTANT TEMPERATURE: 120°C, BLACK COLOR.
REEL: POLYSTYRENES, HEAT-RESISTANT TEMPERATURE: 70°C, BLUE COLOR.
BAG: POLYETHYLENE, HEAT-RESISTANT TEMPERATURE: 100°C.
- PEELING STRENGTH: 0.1 ~ 1.3 N (10 ~ 130 GRAMS)
- PEELING SPEED: 300 mm/min.
- EACH BAG SHALL BE INCLUDED DESICCANT.



300	10	3000 PCS	-- KG	-- KG
PCS/ 盘	盘/ 箱	PCS/ 箱	GROSS WEIGHT	NET WEIGHT

THIS DOCUMENT IS THE SOLE PROPERTY OF BBJconn Technology Co., Ltd. Corporation AND SHOULD NOT BE USED IN WHOLE OR IN PART WITHOUT PRIOR WRITTEN PERMISSION.		PDWG.No.: 0471-1		DR. LYX 23/05'02		深圳市步步精科技有限公司 .X: ±0.38 X': ±3" NAME: USB 3.0 AF 两脚全贴 带柱 L=14.50 SMT 卷边 LCP蓝胶 铜壳 .XX: ±0.25 X': ±2" PJ. NO.: 127-271-090006-Y4G .XXX: ±0.13 XX': ±1" SIZE: A4 DRW NO.: FINISH: SEE NOTES MAT'L.: SEE NOTES SCALE: N/A REV.: A3 UNIT: mm PAGE: 1/1	
---	--	------------------	--	------------------	--	---	--