



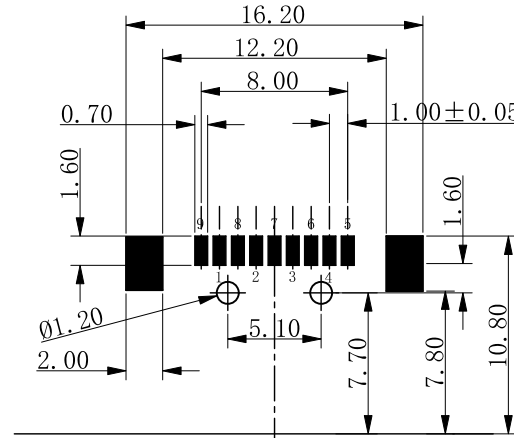
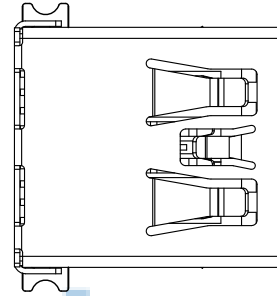
A

B

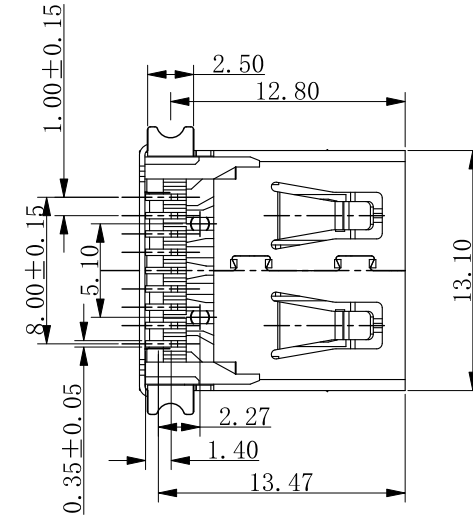
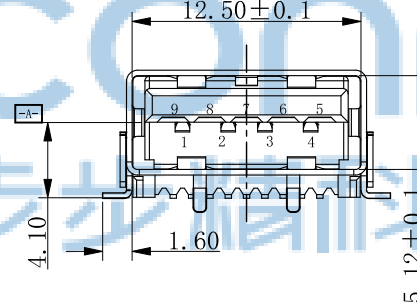
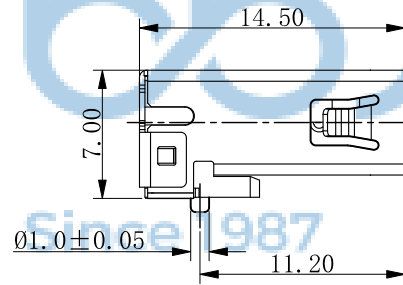
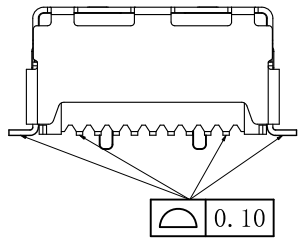
C

D

E



PCB EDGE
RECOMMENDED PCB LAYOUT



REV.	ECN NO	CONTENT	DATE	ENGINEER
A0				

NOTE:

1.MATERIAL:

1.1 INSULATOR: LCP UL 94V-0

1.2 CONTACT: BRONZE C5191

1.3 SHELL: BRASS C2680/SUS201

2.ELECTRICAL CHARACTERISTICS:

2.1 CONTACT RESISTANCE:30mΩMAXIMUM

2.2 CONTACT CURRENT RATING:1.5A

2.3 DIELECTRIC WITHSTANDING VOLTAGE:100 V AC R.M.S.

2.4 INSULATION RESISTANCE 100 MEGOHMS MIN

2.5 OPERATING TEMPERATURE:-40℃~85℃

3 MECHANICAL CHARACTERISTICS:

3.1 MATING FORCE:3.57kgf MAX

3.2 UNMATED FORCE:0.82kgf MIN AFTER TEST

3.3 DURABILITY MANDATORY:1200 CYCLES

4.PLATING

4.1 TERMINAL:

50u" MIN NICKEL ALL OVER

80u"MIN Tin ON SOLDER AREA

(1~30)u" Au ON CONTACT AREA

4.2 SHELL:100u"MIN.NICEL ALL OVER



Pin NUMBER	SIGNAL NAME
1	VBUS
2	D-
3	D+
4	GND
5	StdA_SSRX-
6	StdA_SSRX+
7	GND_DRAIN
8	StdA_SSTX-
9	StdA_SSTX+
Shell	Shield

THIS DOCUMENT IS THE SOLE PROPERTY OF BBJconn Technology Co.,Ltd Corporation AND SHOULD NOT BE USED IN WHOLE OR IN PART WITHOUT PRIOR WRITTEN PERMISSION.

PDWG.No./ 0471-1

DR. LYX

APPD. JM_Zheng

CHKD. TSP

深圳市步步精科技有限公司

.X: ±0.38 X': ±3'
.XX: ±0.25 X": ±2'
.XXX: ±0.13 .XX': ±1'

NAME: USB 3.0 AF 两脚全贴 带柱 L=14.50
SMT 平口 LCP蓝胶 不锈钢外壳

PJ. NO.: 127-271-090008-Y4G

SIZE: A4 DRW NO.:

FINISH: SEE NOTES MAT'L.: SEE NOTES

SCALE: N/A REV.: A3 UNIT: mm PAGE: 1/2

1

2

3

4

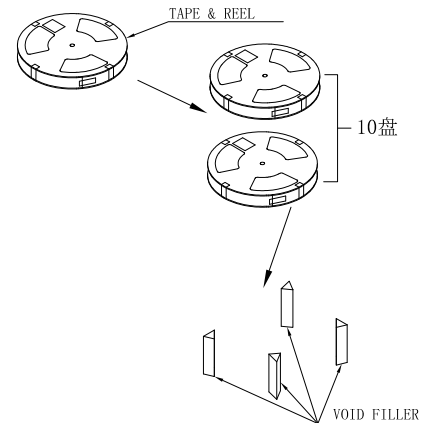
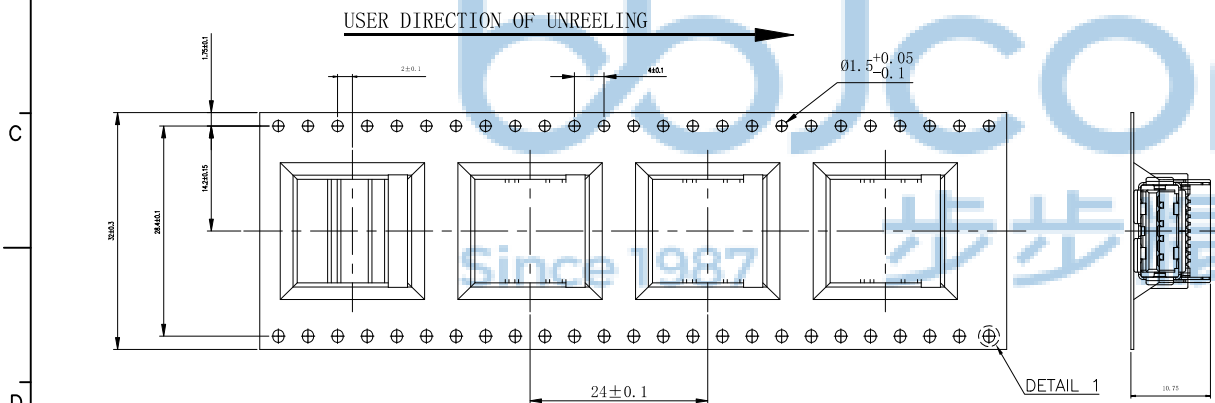
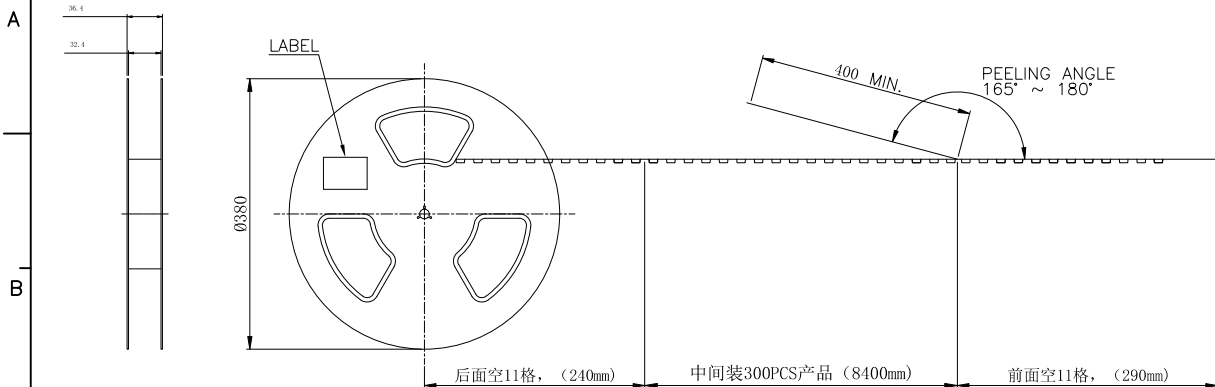
5

6

7

8

REV.	ECN NO	CONTENT	DATE	ENGINEER
A0				



BOX DIMENSIONS:
400 X 400 X 400

NOTE:

- MATERIAL:**
BOX: FIBREBOARD, CORRUGATED, DOUBLE WALL.
TAPE: POLYSTYRENES, HEAT-RESISTANT TEMPERATURE: 120°C, BLACK COLOR.
REEL: POLYSTYRENES, HEAT-RESISTANT TEMPERATURE: 70°C, BLUE COLOR.
BAG: POLYETHYLENE, HEAT-RESISTANT TEMPERATURE: 100°C.
- PEELING STRENGTH: 0.1 ~ 1.3 N (10 ~ 130 GRAMS)
- PEELING SPEED: 300 mm/min.
- EACH BAG SHALL BE INCLUDED DESICCANT.



300	10	3000 PCS	-- KG	-- KG
PCS/盘	盘/箱	PCS/箱	GROSS WEIGHT	NET WEIGHT

THIS DOCUMENT IS THE SOLE PROPERTY OF BBJconn Technology Co., Ltd. Corporation AND SHOULD NOT BE USED IN WHOLE OR IN PART WITHOUT PRIOR WRITTEN PERMISSION.		深圳市步步精科技有限公司	
.X: ±0.38 .XX: ±0.25 .XXX: ±0.13	X': ±3" .X': ±2" .XX': ±1"	NAME: USB 3.0 AF 两脚全贴 带柱 L=14.50 SMT 平口 LCP蓝胶 不锈钢外壳	
APPD. JM_Zheng	CHKD. TSP	PJ. NO.: 127-271-090008-Y4G	
DR. LYX		SIZE: A4 DRW NO.:	
PDWG.No.: 0471-1		FINISH: SEE NOTES MAT'L.: SEE NOTES	
		SCALE: N/A REV.: A3 UNIT: mm PAGE: 2/2	