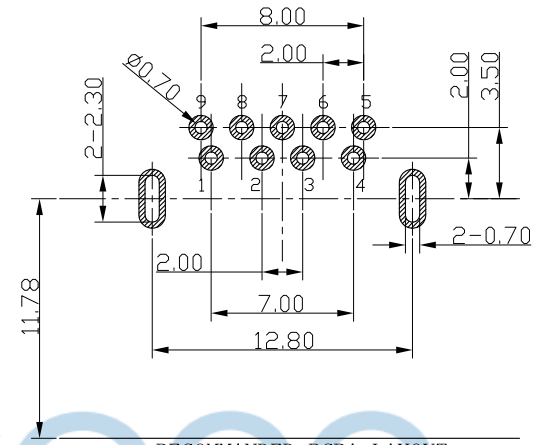
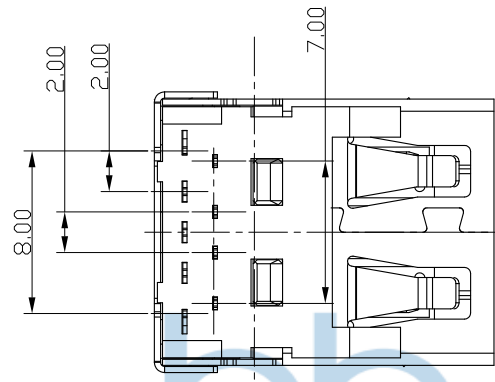
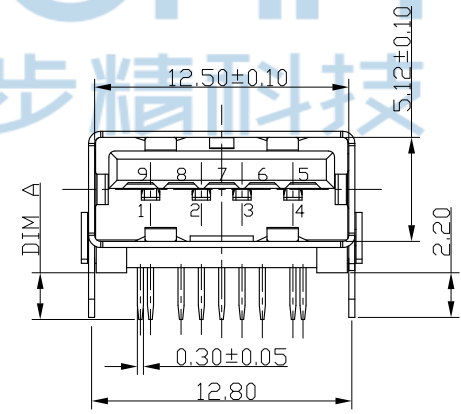
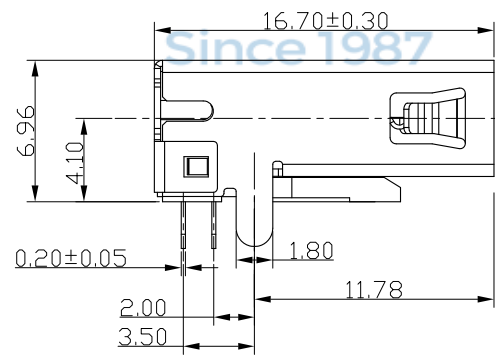


| REV. | DESCRIPTION | NAME | DATE |
|------|-------------|------|------|
| A    | NEWS ISSUE  |      |      |



RECOMMENDED PCBA LAYOUT  
(TOLERANCE  $\pm 0.05$ )

NOTE:  
 1. MATERIAL:  
 1.1 INSULATOR: HIGH TEMPERATURE PLASTIC  
 1.2 CONTACT: BRONZE  
 1.3 SHELL: SUS201  
 2. ELECTRICAL CHARACTERISTICS:  
 2.1 CONTACT RESISTANCE: 30mΩ MAX  
 2.2 CONTACT CURRENT RATING: 1.5A  
 2.3 DIELECTRIC WITHSTANDING VOLTAGE: 100 V R. M. S.  
 2.4 INSULATION RESISTANCE 100 MΩ MIN  
 2.5 OPERATING TEMPERATURE: -20° C ~ 60° C  
 3. MECHANICAL CHARACTERISTICS:  
 3.1 MATING FORCE: 3.57kgf MAX  
 3.2 UNMATING FORCE: 1.02kgf MIN  
 3.3 DURABILITY: MANDATORY: 1,500 CYCLES  
 4. PLATING  
 4.1 TERMINAL:  
 50u" MIN NICKEL ALL OVER  
 80u" MIN Tin ON SOLDER AREA  
 (1~30)u" Au ON CONTACT AREA  
 4.2 SHELL: 80u" MIN. NICKEL ALL OVER



| DIMA |
|------|
| 2.10 |
| 2.30 |

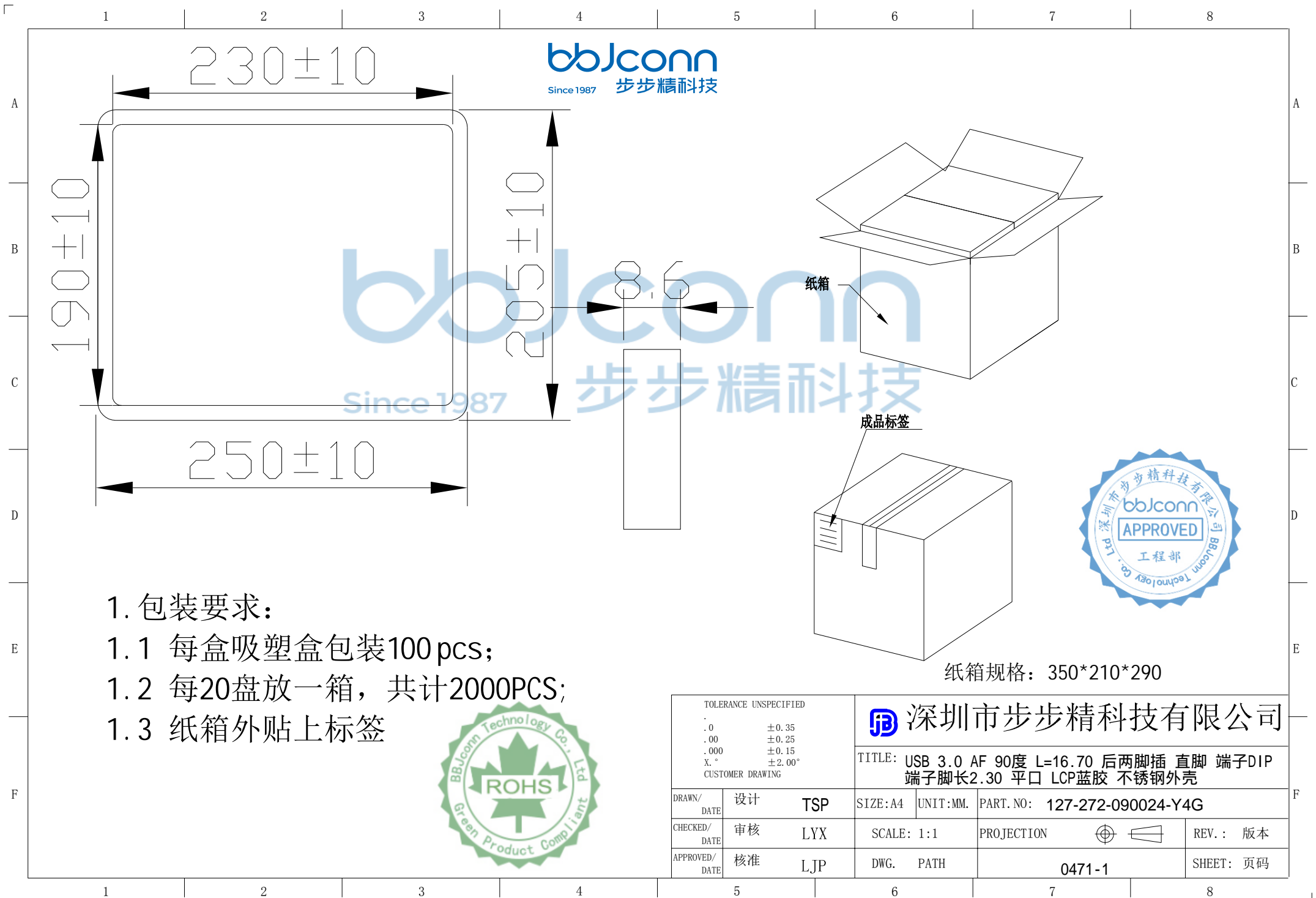
| Pin NUMBER | SIGNAL NAME |
|------------|-------------|
| 1          | VBUS        |
| 2          | D-          |
| 3          | D+          |
| 4          | GND         |
| 5          | StdA_SSRX-  |
| 6          | StdA_SSRX+  |
| 7          | GND_DRAIN   |
| 8          | StdA_SSTX-  |
| 9          | StdA_SSTX+  |
| Shell      | Shield      |



|  |        |                              |            |
|--|--------|------------------------------|------------|
| TOLERANCES UNLESS<br>X. ± 0.50 X° ± 3°<br>.X ± 0.30 .X° ± 2°<br>.XX ± 0.20 .XX° ± 1°<br>.XXX ± 0.10 .XXX° ± 0.5° |        | 深圳市步步精科技有限公司                 |            |
| TITLE: USB 3.0 AF 90度 L=16.70 后两脚插 直脚 端子DIP 端子脚长2.30 平口 LCP蓝胶 不锈钢外壳  |        |                              |            |
| DRAWN/ DATE  | 设计 TSP | SIZE: A4                     | UNIT: MM.  |
| CHECKED/ DATE  | 审核 LYX | PART. NO: 127-272-090024-Y4G |            |
| APPROVED/ DATE   | 核准 LJP | SCALE: 1:1                   | PROJECTION |
|  |        | DWG. PATH                    | REV.: 版本   |
|  |        |                              | SHEET: 页码  |
|  |        |                              | 0471-1     |

A  
B  
C  
D  
E  
F

A  
B  
C  
D  
E  
F



1. 包装要求:

- 1.1 每盒吸塑盒包装100 pcs;
- 1.2 每20盘放一箱, 共计2000PCS;
- 1.3 纸箱外贴上标签



纸箱规格: 350\*210\*290

|                       |           |  |            |                              |           |
|-----------------------|-----------|--|------------|------------------------------|-----------|
| TOLERANCE UNSPECIFIED |           | 深圳市步步精科技有限公司<br>TITLE: USB 3.0 AF 90度 L=16.70 后两脚插 直脚 端子DIP<br>端子脚长2.30 平口 LCP蓝胶 不锈钢外壳 |            |                              |           |
| .0                    | ±0.35     |  |            |                              |           |
| .00                   | ±0.25     |  |            |                              |           |
| .000                  | ±0.15     |  |            |                              |           |
| X. °                  | ±2.00°    |  |            |                              |           |
| CUSTOMER DRAWING      |           |  |            |                              |           |
| DRAWN/<br>DATE        | 设计<br>TSP | SIZE: A4   | UNIT: MM.  | PART. NO: 127-272-090024-Y4G |           |
| CHECKED/<br>DATE      | 审核<br>LYX | SCALE: 1:1   | PROJECTION | REV.: 版本                     |           |
| APPROVED/<br>DATE     | 核准<br>LJP | DWG. PATH  | 0471-1     |                              | SHEET: 页码 |