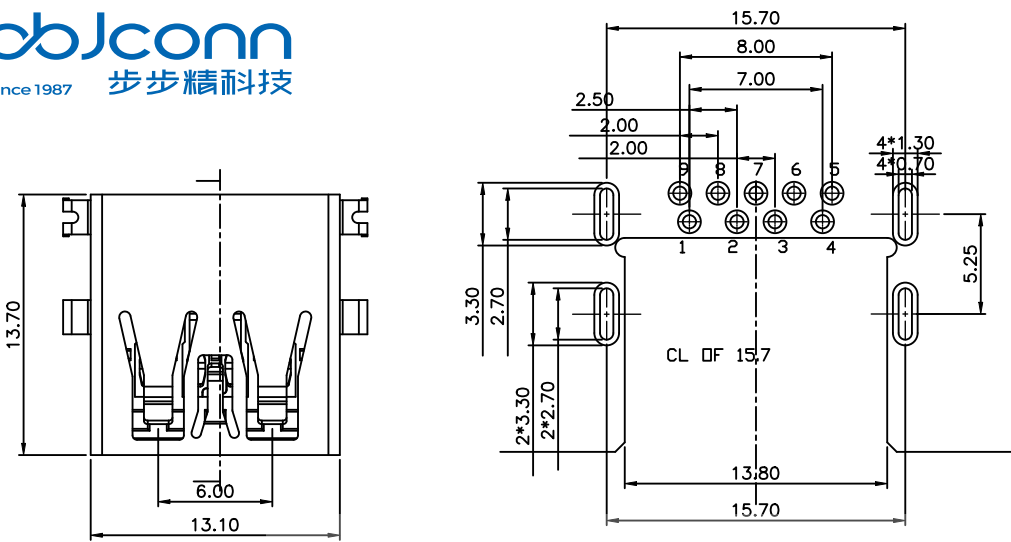
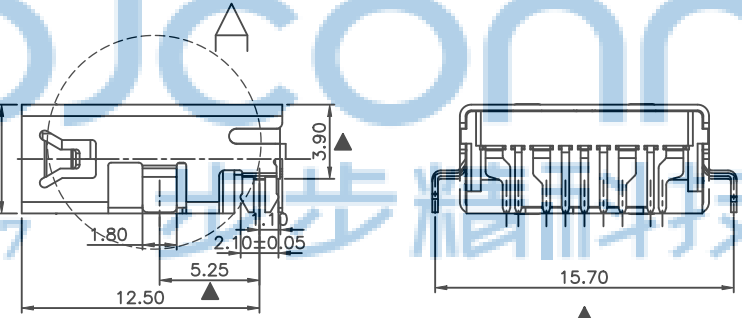
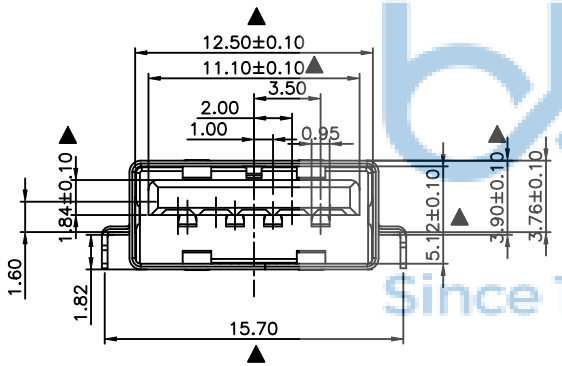


REV.	ECN NO	CONTENT	DATE	ENGINEER
A0				

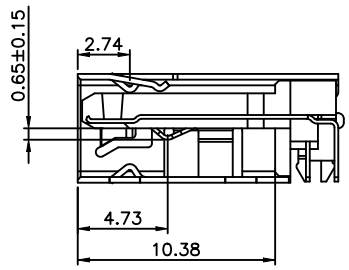
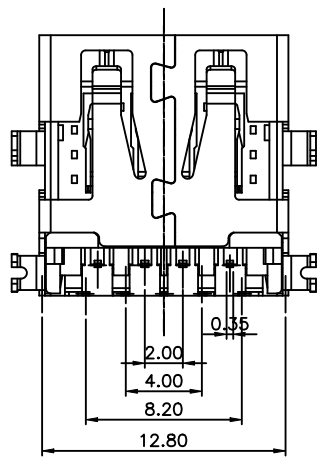


- NOTE:
- MATERIAL:
 - INSULATOR: LCP PLASTIC UL 94 V-0; BLUE
 - CONTACT: C5191-H (T=0.20mm)
 - SHELL: SUS201 (T=0.30mm)
 - ELECTRICAL CHARACTERISTICS:
 - CONTACT RESISTANCE: 30mΩ Max
 - CONTACT CURRENT RATING: 1.5A
 - DIELECTRIC WITHSTANDING VOLTAGE: 500 V R. M. S.
 - INSULATION RESISTANCE 1000 MEGOHMS Min
 - MECHANICAL CHARACTERISTICS:
 - MATING FORCE: 35 N Max
 - UNMATED FORCE: 10 N Min INITIAL; 8 N Min AFTER TEST
 - DURABILITY: 5,000 CYCLES
 - PLATING
 - TERMINAL CONTACT: (SEE TAB) GOLD PLATING ALL OVER
50u" MIN NICKEL AND 100u" MIN MATTE Tin ALL OVER 50u" MIN NICKEL ON SOLDER AREA
 - SHELL: 50u" MIN. NICKEL ALL OVER

TOLERANCE: ±0.05, THICKNESS: 1.2mm
RECOMMENDED PCB LAYOUT
(TOP VIEW)
KEEP OUT AREA



Pin NUMBER	SIGNAL NAME
1	VBUS
2	D-
3	D+
4	GND
5	StdA_SSRX-
6	StdA_SSRX+
7	GND_DRAIN
8	StdA_SSTX-
9	StdA_SSTX+
Shell Shield	



SECTION A-A

THIS DOCUMENT IS THE SOLE PROPERTY OF BBJconn Technology Co., Ltd. Corporation AND SHOULD NOT BE USED IN WHOLE OR IN PART WITHOUT PRIOR WRITTEN PERMISSION.

PDWG. NO: 0471-1

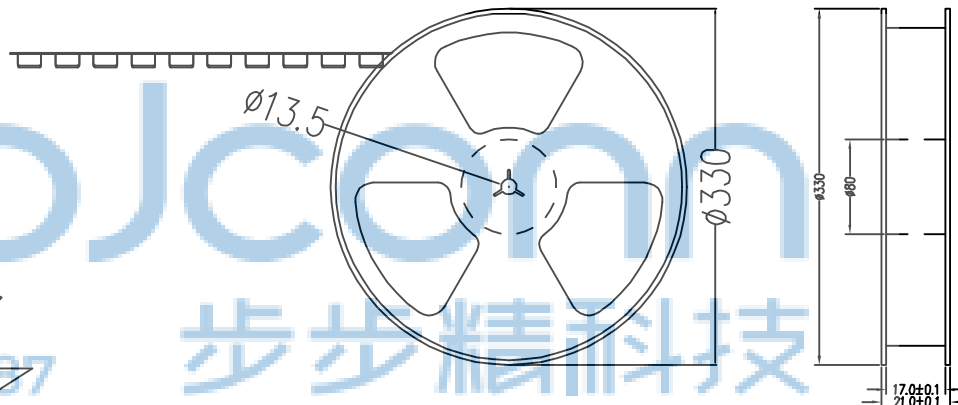
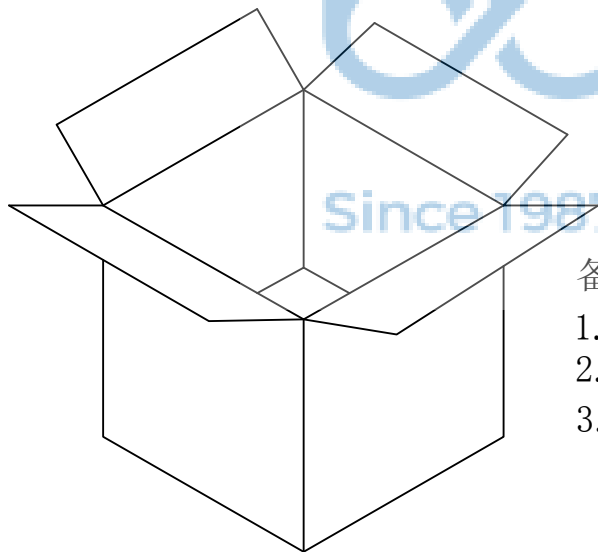
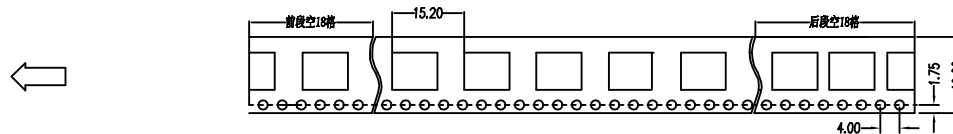
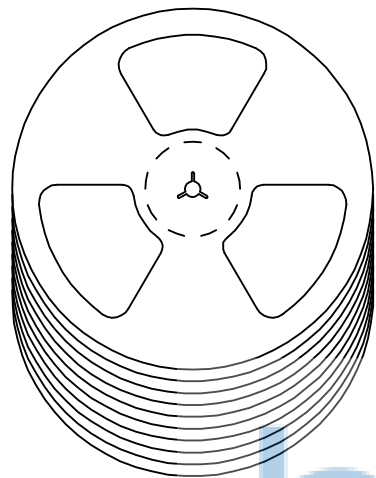
APPD. JM_Zheng
CHKD. LYX
DR. TSP

NAME: USB 3.0 AF L=13.70 沉板1.82 四脚插 端子DIP 平口 LCP蓝胶 不锈钢外壳

PJ. NO.: 127-272-090030-Y4G
SIZE: A4 DRW NO.:

FINISH: SEE NOTES MAT'L.: SEE NOTES
SCALE: N/A REV.: A0 UNIT: mm PAGE: 1/2

深圳市步步精科技有限公司



备注:

1. 包装数量: 500/PCS/卷, 10卷/箱。
2. 包装袋长度: 每卷前后各空10-20个空格, 中间包装。
3. 材质:
载体: 聚丙烯 (PS), 阻抗 $10^{6-9} \Omega$
上带: 聚乙烯 (PET), 阻抗 $10^{6-11} \Omega$
卷盘: 聚苯乙烯。

纸箱规格: 345*345*23MM

纸箱规格: 345*345*35MM

THIS DOCUMENT IS THE SOLE PROPERTY OF BBJconn Technology Co.,Ltd. Corporation AND SHOULD NOT BE USED IN WHOLE OR IN PART WITHOUT PRIOR WRITTEN PERMISSION.		深圳市步步精科技有限公司	
.X: ±0.38 .XX: ±0.25 .XXX: ±0.13		X': ±3" .X': ±2" .XX': ±1"	
APPD.	JM_Zheng	NAME: USB 3.0 AF L=13.70 沉板1.82 四脚插端子DIP 平口 LCP蓝胶 不锈钢外壳	
CHKD.	LYX	PJ. NO.: 127-272-090030-Y4G	
DR.	TSP	SIZE: A4 DRW NO.:	
PDWG.NO: 0471-1		FINISH: SEE NOTES MAT'L.: SEE NOTES	
		SCALE: N/A REV.: AO UNIT: mm PAGE: 2/2	