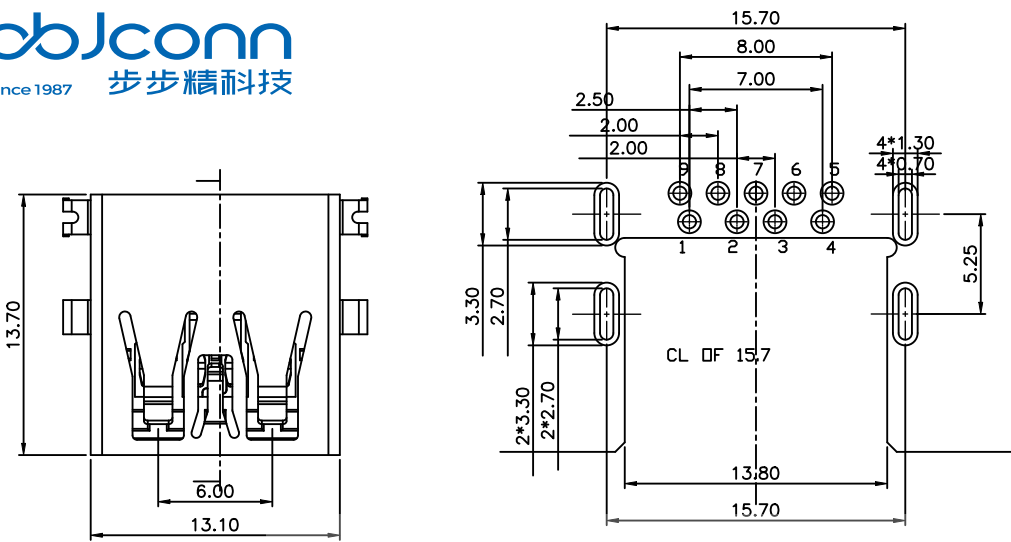
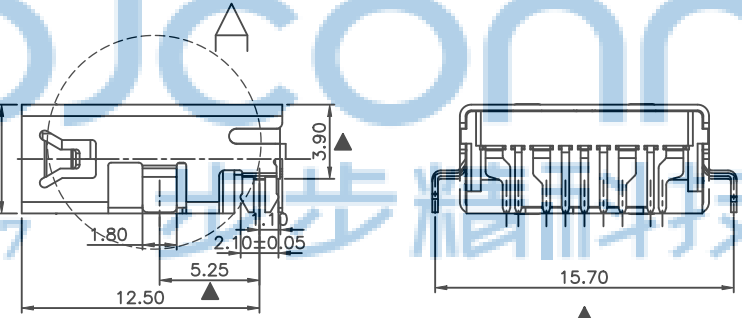
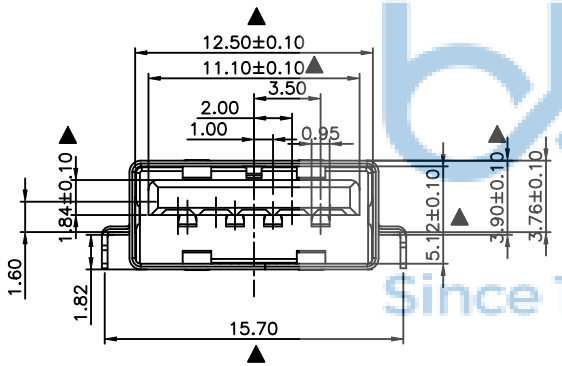


REV.	ECN NO	CONTENT	DATE	ENGINEER
A0				

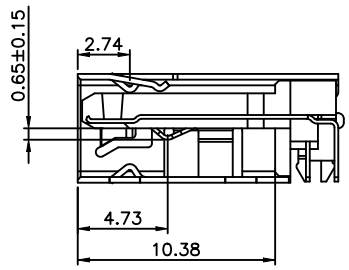
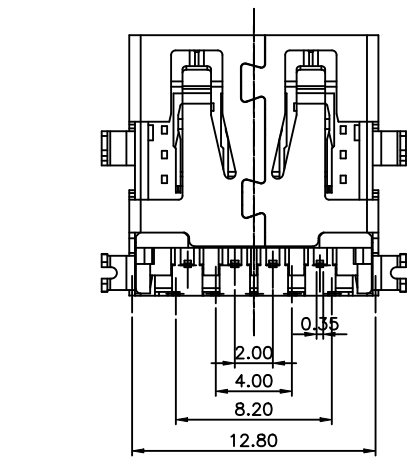


- NOTE:
- MATERIAL:
 - INSULATOR: LCP PLASTIC UL 94 V-0; BLUE
 - CONTACT: C5191-H (T=0.20mm)
 - SHELL: SUS201 (T=0.30mm)
 - ELECTRICAL CHARACTERISTICS:
 - CONTACT RESISTANCE: 30mΩ Max
 - CONTACT CURRENT RATING: 1.5A
 - DIELECTRIC WITHSTANDING VOLTAGE: 500 V R. M. S.
 - INSULATION RESISTANCE 1000 MEGOHMS Min
 - MECHANICAL CHARACTERISTICS:
 - MATING FORCE: 35 N Max
 - UNMATED FORCE: 10 N Min INITIAL; 8 N Min AFTER TEST
 - DURABILITY: 5,000 CYCLES
 - PLATING
 - TERMINAL CONTACT: (SEE TAB) GOLD PLATING ALL OVER
50u" MIN NICKEL AND 100u" MIN MATTE Tin ALL OVER 50u" MIN NICKEL ON SOLDER AREA
 - SHELL: 50u" MIN. NICKEL ALL OVER

TOLERANCE: ±0.05, THICKNESS: 1.2mm
RECOMMENDED PCB LAYOUT
(TOP VIEW)
KEEP OUT AREA

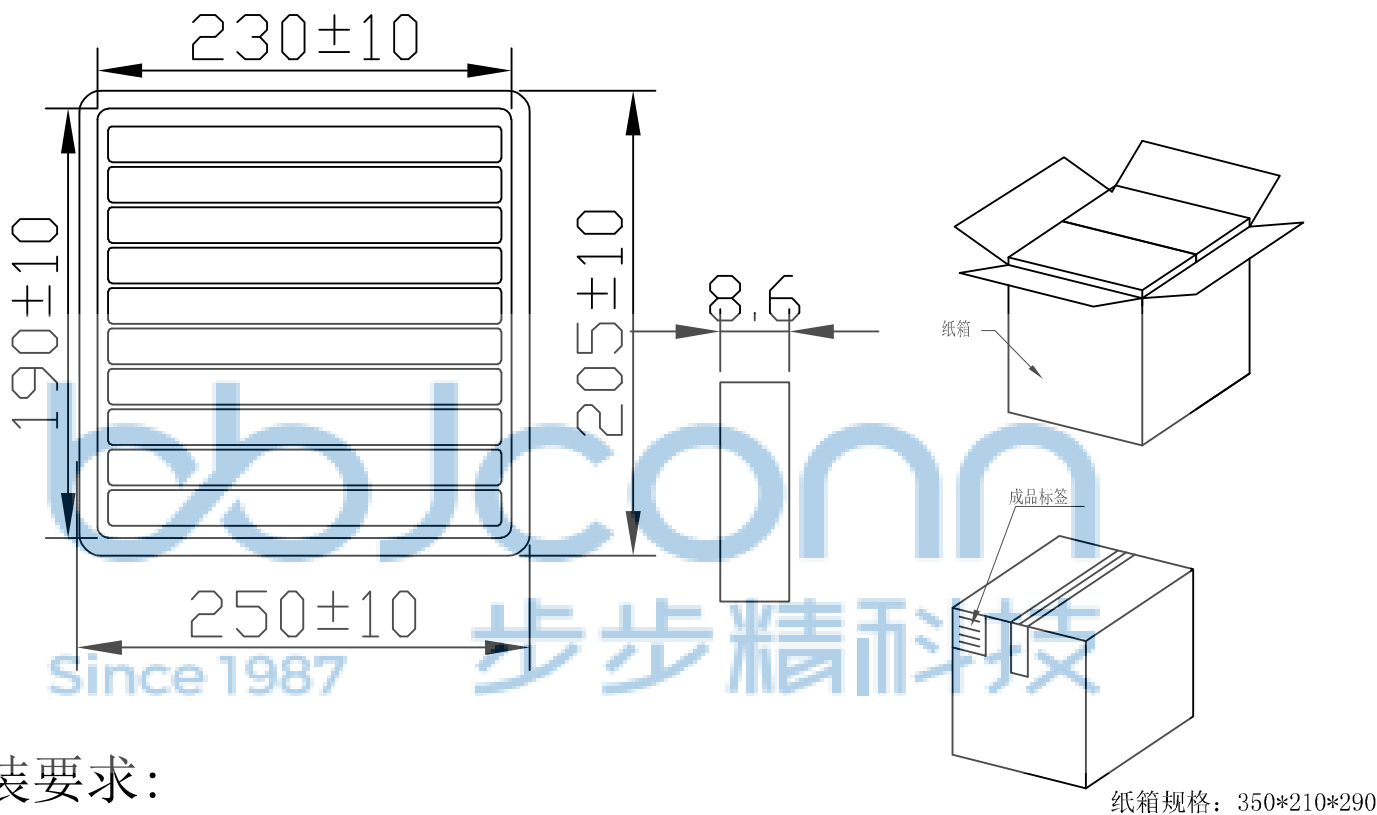


Pin NUMBER	SIGNAL NAME
1	VBUS
2	D-
3	D+
4	GND
5	StdA_SSRX-
6	StdA_SSRX+
7	GND_DRAIN
8	StdA_SSTX-
9	StdA_SSTX+
Shell Shield	



SECTION A-A

THIS DOCUMENT IS THE SOLE PROPERTY OF BBJconn Technology Co., Ltd. Corporation AND SHOULD NOT BE USED IN WHOLE OR IN PART WITHOUT PRIOR WRITTEN PERMISSION.		深圳市步步精科技有限公司 .X: ±0.38 .X': ±3" .XX: ±0.25 .X'': ±2" .XXX: ±0.13 .XX': ±1"		NAME: USB 3.0 AF L=13.70 沉板1.82 四脚插 端子DIP 平口 LCP蓝胶 不锈钢外壳 PJ. NO.: 127-272-090031-Y4G SIZE: A4 DRW NO.: FINISH: SEE NOTES MAT'L.: SEE NOTES			
PDWG.NO: 0471-1	APPD. JM_Zheng	CHKD. LYX	DR. TSP	SCALE: N/A	REV.: A0	UNIT: mm	PAGE: 1/2



1. 包装要求:
- 1.1 每盒吸塑盒包装100pcs;
 - 1.2 每20盘放一箱, 共计2000PCS;
 - 1.3 纸箱外贴上标签。

THIS DOCUMENT IS THE SOLE PROPERTY OF BBJconn Technology Co.,Ltd. Corporation AND SHOULD NOT BE USED IN WHOLE OR IN PART WITHOUT PRIOR WRITTEN PERMISSION.		深圳市步步精科技有限公司	
.X: ±0.38 .XX: ±0.25 .XXX: ±0.13		X': ±3" X'': ±2" XX': ±1"	
APPD.	JM_Zheng	NAME: USB 3.0 AF L=13.70 沉板1.82 四脚插端子DIP 平口 LCP蓝胶 不锈钢外壳	
CHKD.	LYX	PJ. NO.: 127-272-090031-Y4G	
PDWG.NO:	0471-1	SIZE: A4 DRW NO.:	
DR.	TSP	FINISH: SEE NOTES MAT'L.: SEE NOTES	
		SCALE: N/A	REV.: A0 UNIT: mm PAGE: 2/2