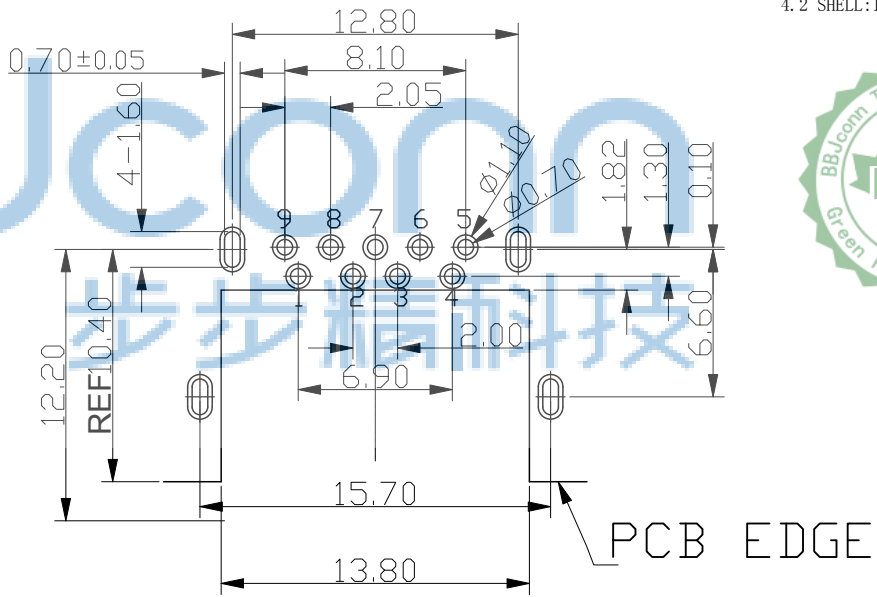
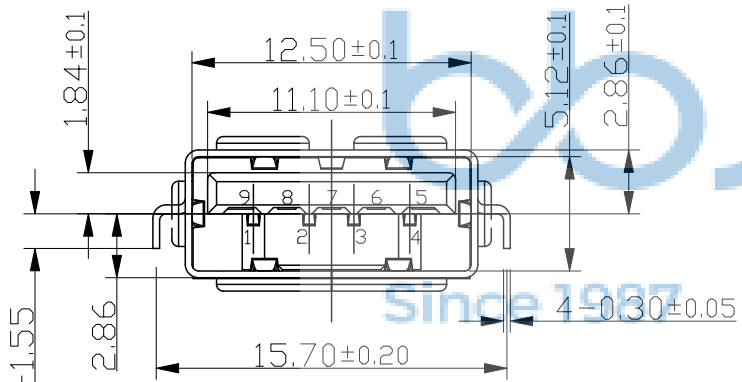
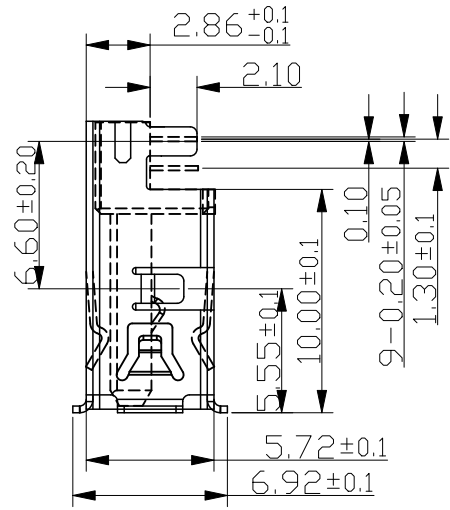
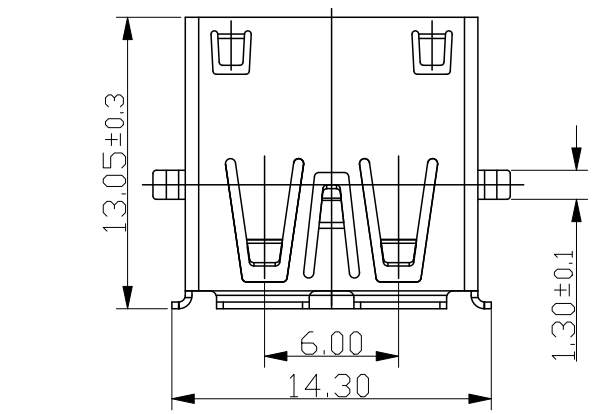


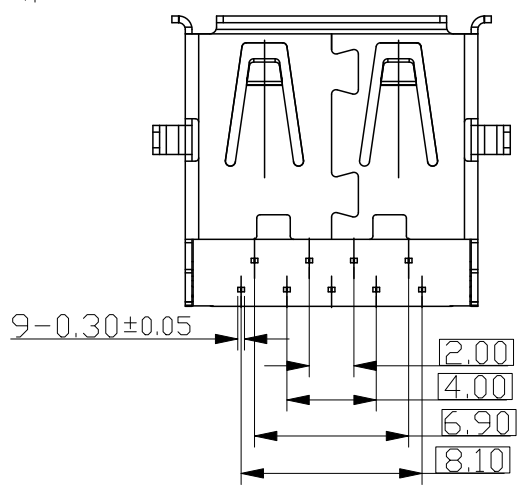
REV.	ECN NO.	CONTENT	DATE	ENGINEER
A0				

NOTE:
 1. MATERIAL:
 1.1 INSULATOR: LCP UL 94V-0
 1.2 CONTACT: BRONZE (T=0.20mm)
 1.3 SHELL: SUS201 (T=0.30mm)
 2. ELECTRICAL CHARACTERISTICS:
 2.1 CONTACT RESISTANCE: 30mΩ MAXIMUM
 2.2 CONTACT CURRENT RATING: 1.5A
 2.3 DIELECTRIC WITHSTANDING VOLTAGE: 500 V R. M. S.
 2.4 INSULATION RESISTANCE 1000 MEGOHMS MIN
 2.5 OPERATING TEMPERATURE: -40° C ~ 85° C
 3. MECHANICAL CHARACTERISTICS:
 3.1 MATING FORCE: 3.57kg MAX
 3.2 UNMATED FORCE: 1.02kg MIN
 3.3 DURABILITY: MANDATORY: 5,000 CYCLES
 4. PLATING
 4.1 TERMINAL:
 50u" MIN NICKEL ALL OVER
 100u" MIN Tin ON SOLDER AREA
 (1~30)u" Au ON CONTACT AREA
 4.2 SHELL: 100u" MIN. NICEL ALL OVER



TOLERANCE: ±0.05, THICKNESS : 1.6 mm
 RECOMMENDED PCB LAYOUT

Pin NUMBER	SIGNAL NAME
1	VBUS
2	D-
3	D+
4	GND
5	StdA_SSRX-
6	StdA_SSRX+
7	GND_DRAIN
8	StdA_SSTX-
9	StdA_SSTX+
Shell	Shield



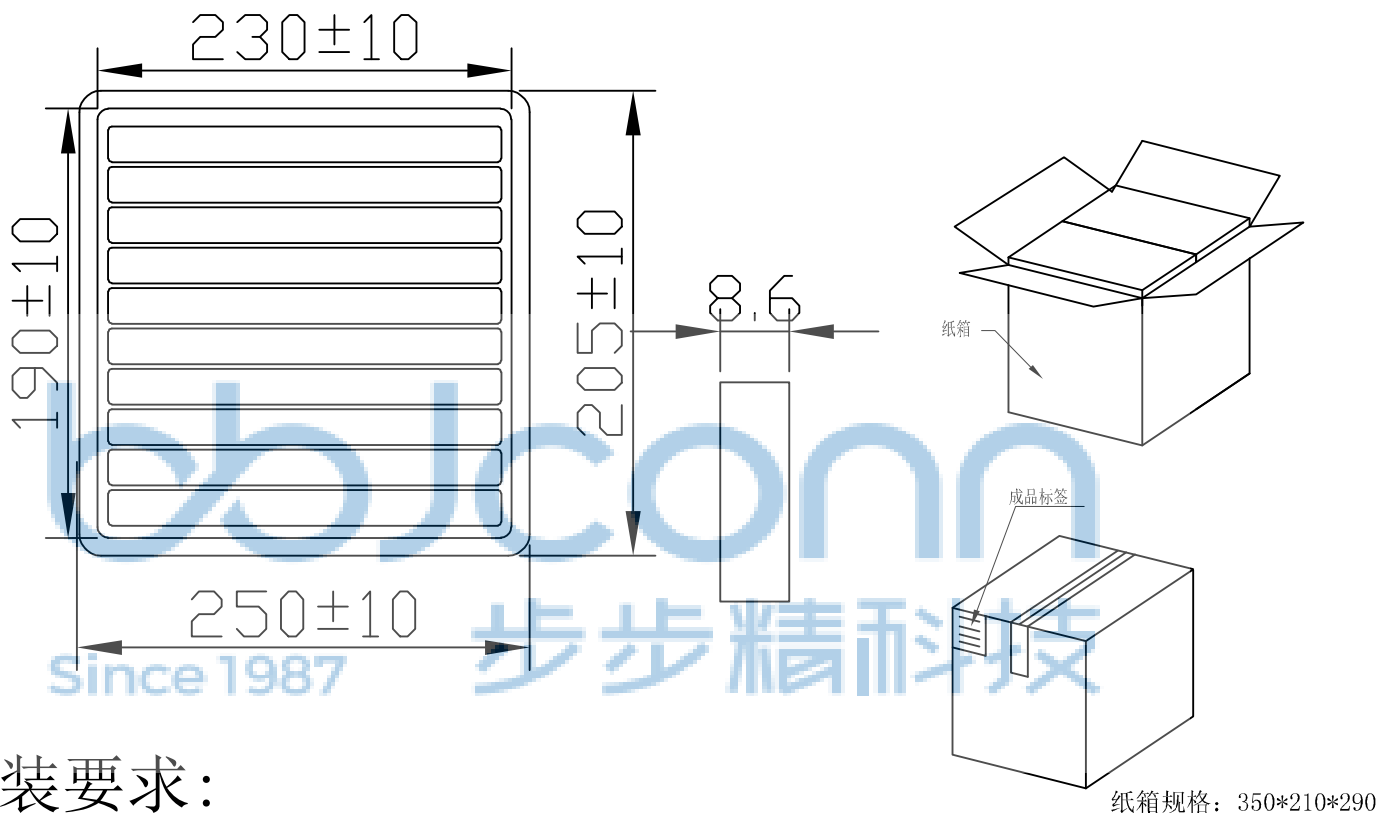
THIS DOCUMENT IS THE SOLE PROPERTY OF BBJconn Technology Co., Ltd. Corporation AND SHOULD NOT BE USED IN WHOLE OR IN PART WITHOUT PRIOR WRITTEN PERMISSION.

PDWG.NO: 0471-1

APPD. JM_Zheng
 CHKD. LYX
 DR. TSP

NAME: USB 3.0 AF 四脚插 L=13.05 沉板2.86 端子DIP 卷边 LCP蓝胶 不锈钢外壳

PJ. NO.: 127-272-090034-Y4G
 SIZE: A4 DRW NO. :
 FINISH: SEE NOTES MAT' L.: SEE NOTES
 SCALE: N/A REV.: A0 UNIT: mm PAGE: 1/2



1. 包装要求:

- 1.1 每盒吸塑盒包装100pcs;
- 1.2 每20盒放一箱, 共计2000PCS;
- 1.3 纸箱外贴上标签。

THIS DOCUMENT IS THE SOLE PROPERTY OF BBJconn Technology Co.,Ltd. Corporation AND SHOULD NOT BE USED IN WHOLE OR IN PART WITHOUT PRIOR WRITTEN PERMISSION.		深圳市步步精科技有限公司 .X: ±0.38 .X°: ±3° .XX: ±0.25 .X°: ±2° .XXX: ±0.13 .XX°: ±1°		NAME: USB 3.0 AF 四脚插 L=13.05 沉板2.86 端子DIP 卷边 LCP蓝胶 不锈钢外壳	
APPD.	JM_Zheng	P.J. NO. : 127-272-090034-Y4G		SIZE: A4 DRW NO. :	
CHKD.	LYX	FINISH: SEE NOTES		MAT' L. : SEE NOTES	
PDWG.NO:	0471-1	DR.	TSP	SCALE: N/A	REV. : A0 UNIT: mm PAGE: 2/2