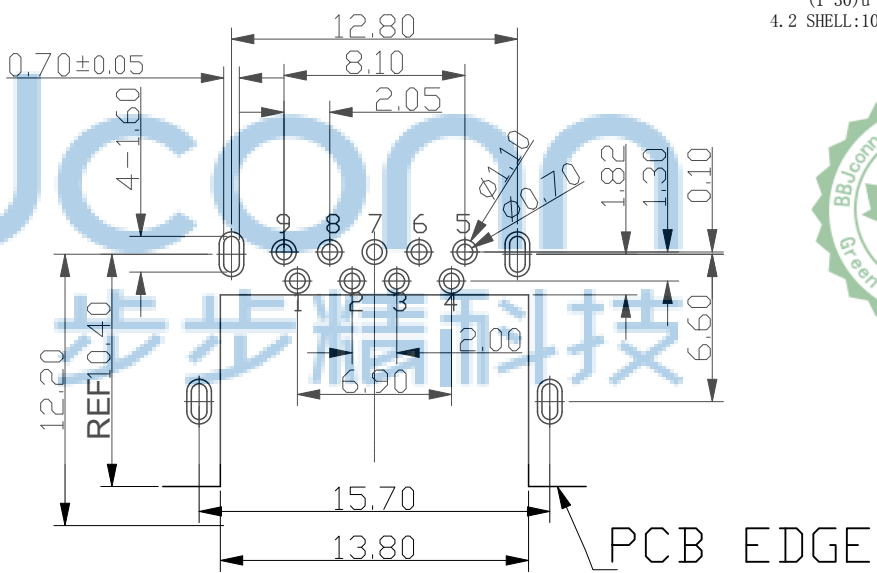
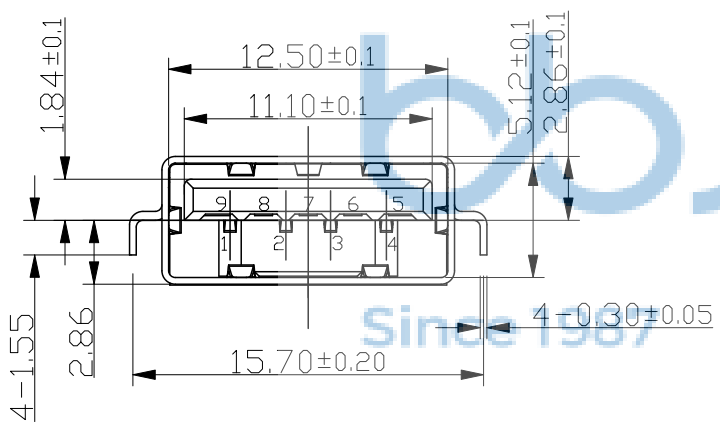
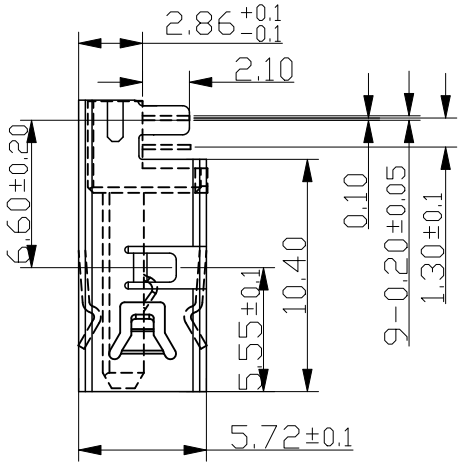
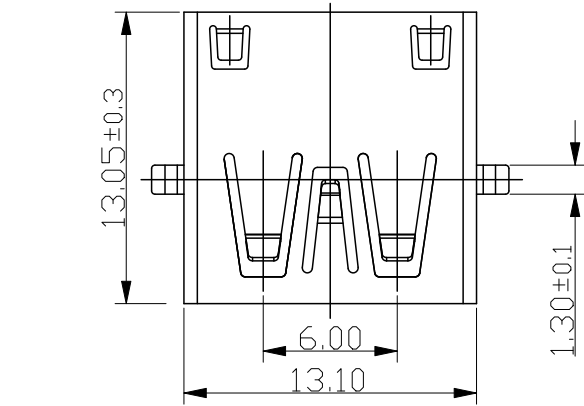
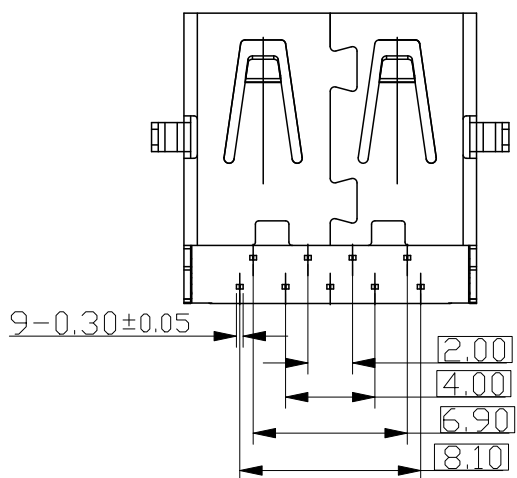


REV.	ECN NO.	CONTENT	DATE	ENGINEER
A0				

NOTE:
 1. MATERIAL:
 1.1 INSULATOR:LCP UL 94V-0
 1.2 CONTACT:BRONZE(T=0.20mm)
 1.3 SHELL:SUS201(T=0.30mm)
 2. ELECTRICAL CHARACTERISTICS:
 2.1 CONTACTRESISTANCE:30mΩ MAXIMUM
 2.2 CONTACT CURRENT RATING:1.5A
 2.3 DIELECTRIC WITHSTANDING VOLTAGE:500 V R. M. S.
 2.4 INSULATION RESISTANCE 1000 MEGOHMS MIN
 2.5 OPERATING TEMPERATURE:-40° C ~ 85° C
 3. MECHANICAL CHARACTERISTICS:
 3.1 MATING FORCE:3.57kg MAX
 3.2 UNMATED FORCE:1.02kg MIN
 3.3 DURABILITY:MANDATORY:5,000 CYCLES
 4. PLATING
 4.1 TERMINAL:
 50u" MIN NICKEL ALL OVER
 100u"MIN Tin ON SOLDER AREA
 (1~30)u"Au ON CONTACT AREA
 4.2 SHELL:100u"MIN. NICEL ALL OVER



TOLERANCE: ±0.05, THICKNESS : 1.6 mm
 RECOMMENDED PCB LAYOUT



Pin NUMBER	SIGNAL NAME
1	VBUS
2	D-
3	D+
4	GND
5	StdA_SSRX-
6	StdA_SSRX+
7	GND_DRAIN
8	StdA_SSTX-
9	StdA_SSTX+
Shell	Shield



THIS DOCUMENT IS THE SOLE PROPERTY OF **BBJconn Technology Co.,Ltd.** 深圳市步步精科技有限公司

Corporation AND SHOULD NOT BE USED IN WHOLE OR IN PART WITHOUT PRIOR WRITTEN PERMISSION.

PDWG:NO: 0471-1

NAME: USB 3.0 AF 四脚插 L=13.05 沉板2.86 端子DIP 平口 LCP蓝胶 不锈钢外壳

APPD. JM_Zheng

CHKD. LYX

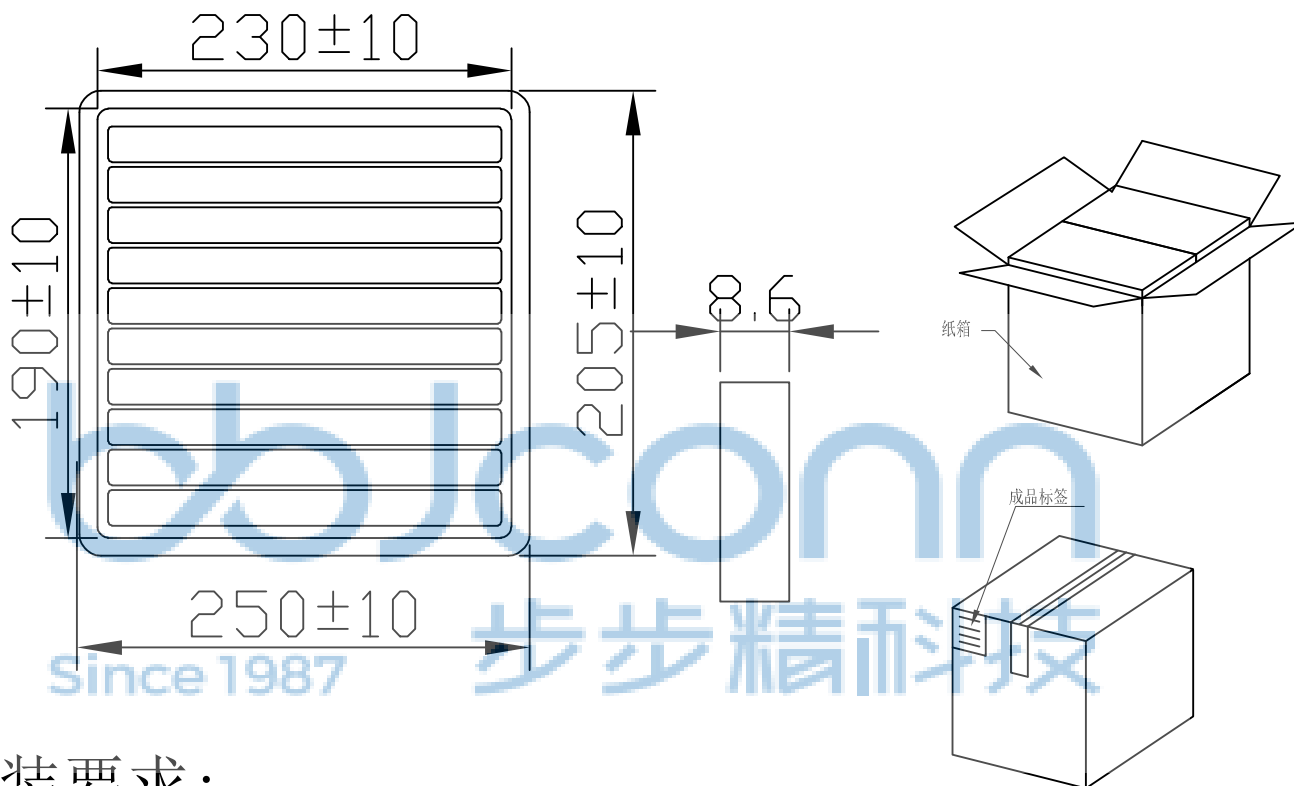
DR. TSP

PJ. NO.: 127-272-090035-Y4G

SIZE: A4 DRW NO.:

FINISH: SEE NOTES MAT'L.: SEE NOTES

SCALE: N/A REV.: A0 UNIT: mm PAGE: 1/2



1. 包装要求:
- 1.1 每盒吸塑盒包装100pcs;
 - 1.2 每20盘放一箱, 共计2000PCS;
 - 1.3 纸箱外贴上标签。

纸箱规格: 350*210*290

THIS DOCUMENT IS THE SOLE PROPERTY OF BBJconn Technology Co.,Ltd. Corporation AND SHOULD NOT BE USED IN WHOLE OR IN PART WITHOUT PRIOR WRITTEN PERMISSION.		深圳市步步精科技有限公司 .X: ±0.38 .X° :±3° .XX: ±0.25 .X° :±2° .XXX: ±0.13 .XX° :±1°		NAME: USB 3.0 AF 四脚插 L=13.05 沉板2.86 端子DIP 平口 LCP蓝胶 不锈钢外壳	
APPD.	JM_Zheng	P.J. NO. : 127-272-090035-Y4G		SIZE: A4 DRW NO. :	
CHKD.	LYX	FINISH: SEE NOTES		MAT' L. : SEE NOTES	
PDWG.NO:	0471-1	DR.	TSP	SCALE: N/A	REV. : A0 UNIT: mm PAGE: 2/2