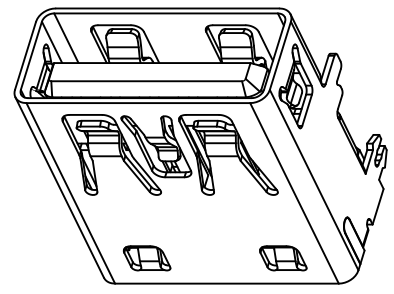
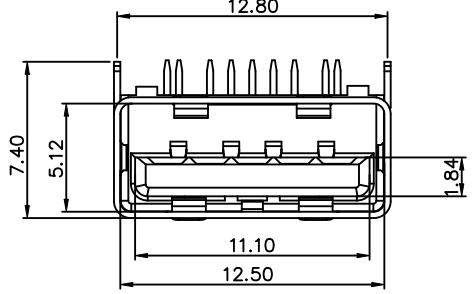
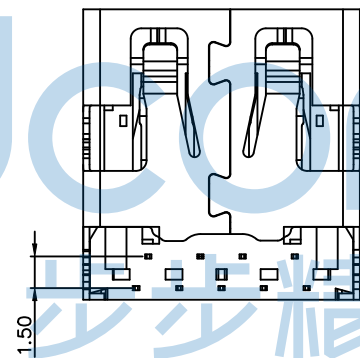
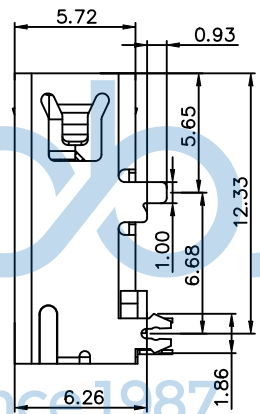
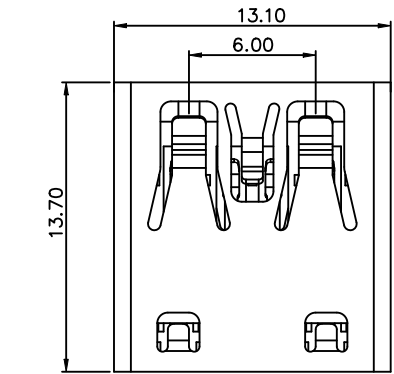


REV.	ECN NO.	CONTENT	DATE	ENGINEER
A0		Initial release	/	TSP

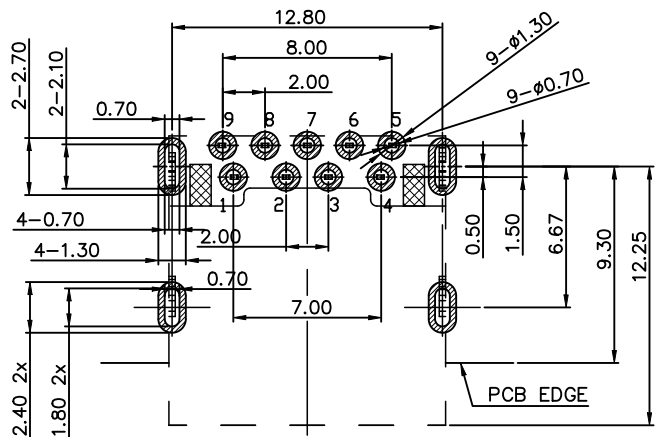


NOTE:

- MATERIAL:
 - INSULATOR: HIGH TEMPERATURE PLASTIC UL 94 V-0; BLUE
 - CONTACT: COPPER ALLOY (T=0.20mm)
 - SHELL: BRASS/SUS201 (T=0.30mm)
- ELECTRICAL CHARACTERISTICS:
 - CONTACT RESISTANCE: 30mΩ Max
 - CONTACT CURRENT RATING: 1.5A
 - DIELECTRIC WITHSTANDING VOLTAGE: 500 V R. M. S.
 - INSULATION RESISTANCE 100 MEGOHMS Min
 - OPERATING TEMPERATURE: -40° C ~ 85° C
- MECHANICAL CHARACTERISTICS:
 - MATING FORCE: 35 N Max
 - UNMATED FORCE: 10 N Min INITIAL; 8 N Min AFTER TEST
 - DURABILITY: 5,000 CYCLES
- PLATING
 - TERMINAL CONTACT: (SEE TAB) GOLD PLATING ALL OVER 50u" MIN NICKEL AND 80u" MIN Tin ALL OVER 50u" MIN NICKEL ON SOLDER AREA
 - SHELL: 80u" MIN. NICKEL ALL OVER



Pin #	SIGNAL NAME	DESCRIPTION	MATING SEQUENCE
1	VBUS	POWER	SECOND
2	D-	USB 2.0 DIFFERENTIAL PAIR	THIRD
3	D+		
4	GND	GROUND FOR POWER RETURN	SECOND
5	StdA_SSRX-	SUPERSPEED RECEIVER DIFFERENTIAL PAIR	LAST
6	StdA_SSRX+		
7	GND_DRAIN	GROUND FOR SIGNAL RETURN	
8	StdA_SSTX-	SUPERSPEED TRANSMITTER DIFFERENTIAL PAIR	
9	StdA_SSTX+		
Shell	Shield	CONNECTOR METAL SHELL	FRIST



TOLERANCE: ±0.05, THICKNESS: 1.2mm
RECOMMENDED PCB LAYOUT
(TOP VIEW)
KEEP OUT AREA



3	外壳	BRASS/SUS201	NICKEL PLATED
2	端子	COPPER ALLOY	GOLD/TIN PLATED
1	胶芯	HIGH TEMPERATURE PLASTIC LCP	UL94V-0
NO.	PART NAME	MATERIAL	DESCRIPTION

THIS DOCUMENT IS THE SOLE PROPERTY OF BBJconn Technology Co., Ltd. Corporation AND SHOULD NOT BE USED IN WHOLE OR IN PART WITHOUT PRIOR WRITTEN PERMISSION.

PDWG.NO: 0471-1

DR. TSP

APPD. JM_Zheng

CHKD. LYX

NAME: USB 3.0 A母 90度 DIP 四脚插 平口 不锈钢外壳 LCP蓝胶 L=13.70 H=6.26 编带

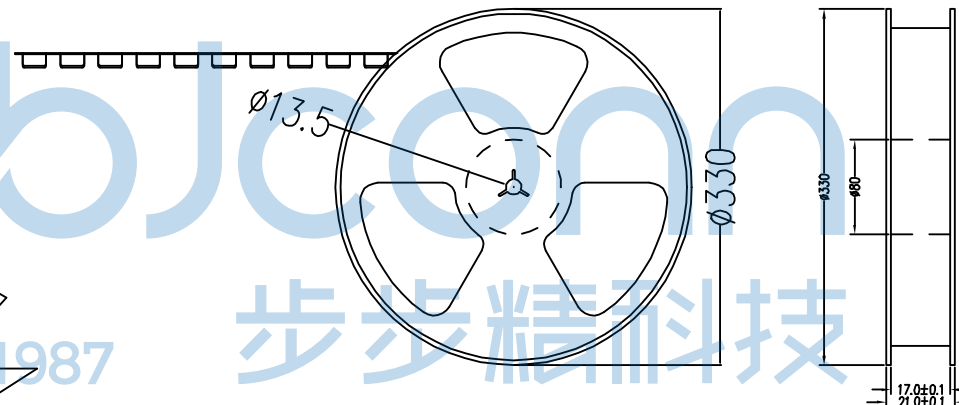
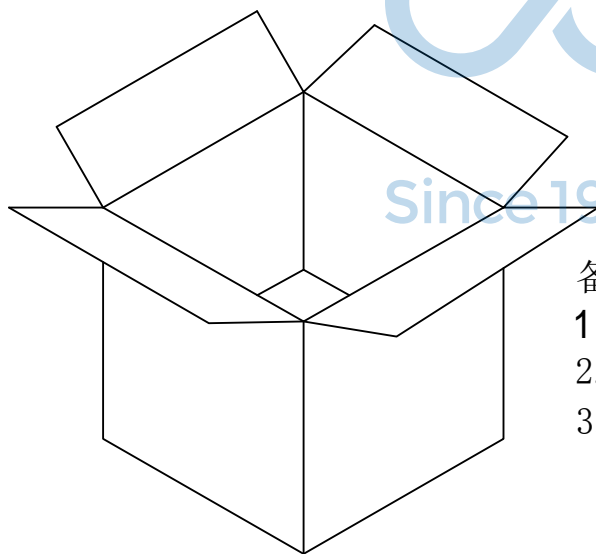
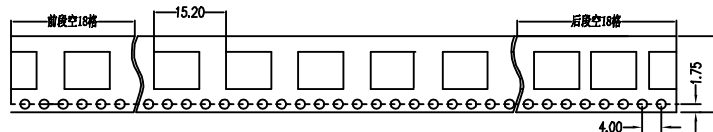
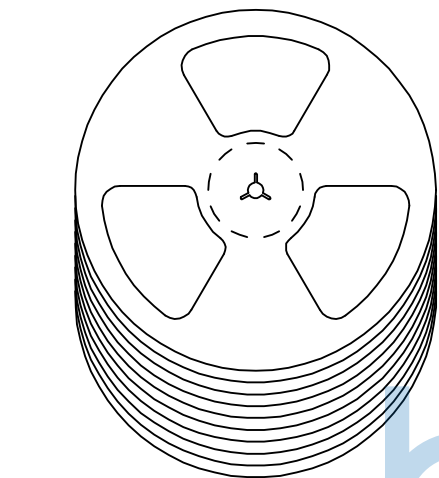
PJ. NO.: 127-272-090038-Y4G

SIZE: A4 DRW NO.:

FINISH: SEE NOTES MAT'L.: SEE NOTES

SCALE: N/A REV.: A0 UNIT: mm PAGE: 1/2

REV.	ECN NO	CONTENT	DATE	ENGINEER
A0		Initial release	/	TSP



备注:

1. 包装数量：400/PCS/卷，10卷/箱
2. 包装袋长度：每卷前后各空10-20个空格，中间包装。
3. 材质：
载体：聚丙烯（PS），
上带：聚乙烯（PET），
卷盘：聚苯乙烯。

纸箱规格：345*345*230MM

纸箱规格：345*345*350MM

THIS DOCUMENT IS THE SOLE PROPERTY OF BBJconn Technology Co.,Ltd. Corporation AND SHOULD NOT BE USED IN WHOLE OR IN PART WITHOUT PRIOR WRITTEN PERMISSION.		深圳市步步精科技有限公司	
.X: ±0.38 .XX: ±0.25 .XXX: ±0.13		NAME: USB 3.0 A母 90度 DIP 四脚插 平口 不锈钢外壳 LCP蓝胶 L=13.70 H=6.26 编带	
APPD.	JM_Zheng	PJ. NO.: 127-272-090038-Y4G	
CHKD.	LYX	SIZE: A4 DRW NO.:	
DR.	TSP	FINISH: SEE NOTES MAT'L.: SEE NOTES	
PDWG.NO:	0471-1	SCALE: N/A	REV.: A0 UNIT: mm PAGE: 2/2