

| REV. | ECN NO. | CONTENT | DATE | ENGINEER |
|------|---------|-----------------|------|----------|
| A0 | | Initial release | / | TSP |

NOTE:

1. MATERIAL:

- 1.1 INSULATOR:LCP UL 94V-0
- 1.2 CONTACT:BRONZE(T=0.20mm)
- 1.3 SHELL:SUS201(T=0.30mm)

2. ELECTRICAL CHARACTERISTICS:

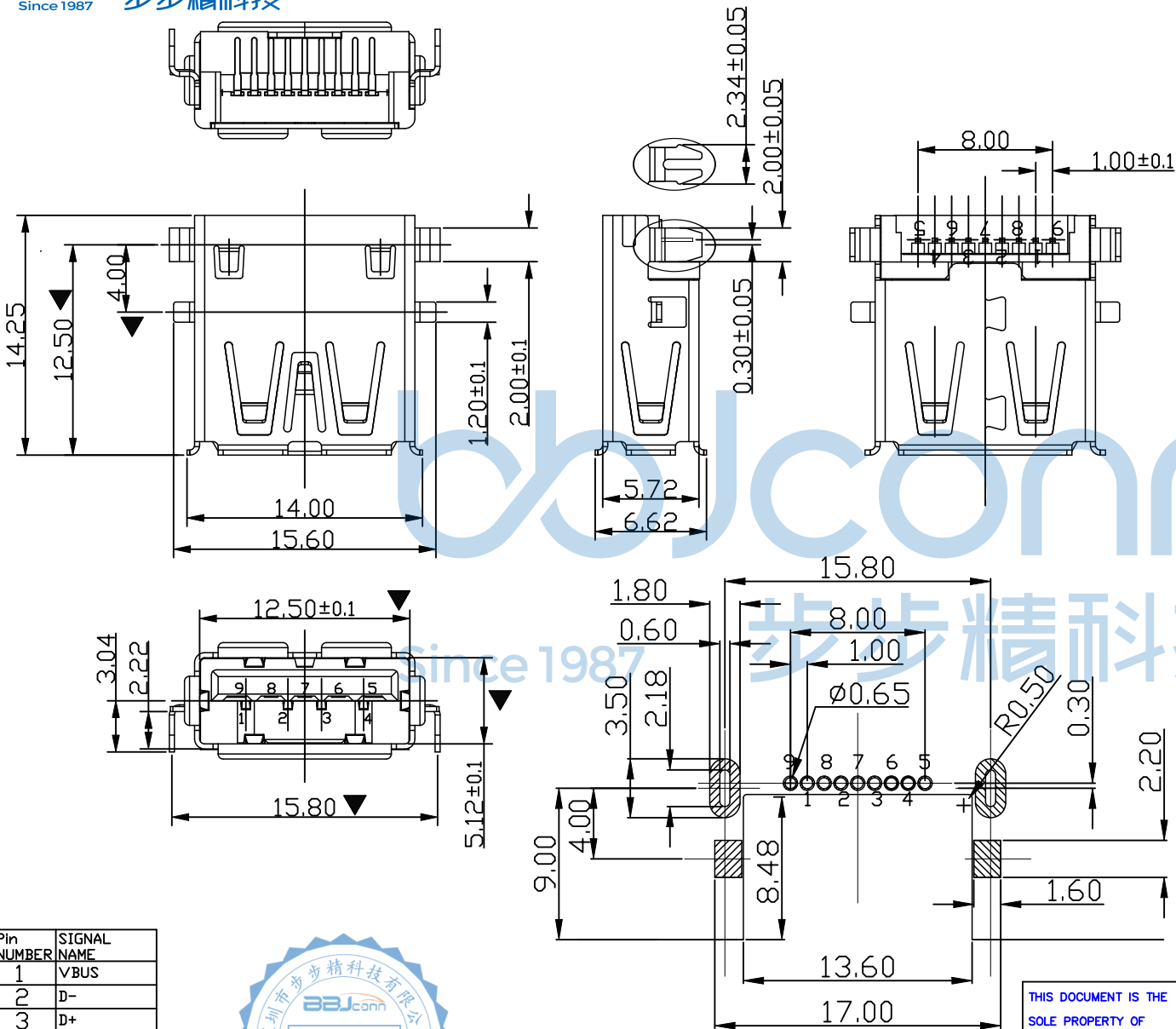
- 2.1 CONTACT RESISTANCE:30mΩ MAXIMUM
- 2.2 CONTACT CURRENT RATING:1.5A
- 2.3 DIELECTRIC WITHSTANDING VOLTAGE:500 V R. M. S.
- 2.4 INSULATION RESISTANCE 1000 MEGOHMS MIN
- 2.5 OPERATING TEMPERATURE:-40° C ~ 85° C

3. MECHANICAL CHARACTERISTICS:

- 3.1 MATING FORCE:3.57kg MAX
- 3.2 UNMATED FORCE:1.02kg MIN
- 3.3 DURABILITY:MANDATORY:5,000 CYCLES

4. PLATING

- 4.1 TERMINAL:
50u" MIN NICKEL ALL OVER
100u"MIN Tin ON SOLDER AREA
(1~30)u"Au ON CONTACT AREA
- 4.2 SHELL:100u"MIN. NICEL ALL OVER
- 5. "▼" FOR MAJOR DIM



RECOMMENDED PCBA LAYOUT
(TOLERANCE+±0.05)

| Pin NUMBER | SIGNAL NAME |
|------------|-------------|
| 1 | VBUS |
| 2 | D- |
| 3 | D+ |
| 4 | GND |
| 5 | StdA_SSRX- |
| 6 | StdA_SSRX+ |
| 7 | GND_DRAIN |
| 8 | StdA_SSTX- |
| 9 | StdA_SSTX+ |
| Shell | Shield |

THIS DOCUMENT IS THE SOLE PROPERTY OF



深圳市步步精科技有限公司

BBJconn Technology Co.,Ltd

.X: ±0.38 X°: ±3°

NAME USB 3.0 AF 外壳脚后贴后插 端子DIP 端子镀金1U

Corporation AND SHOULD

.XX: ±0.25 X°: ±2°

L=14.25 沉板2.22 卷边 LCP蓝胶 不锈钢外壳

NOT BE USED IN WHOLE

.XXX: ±0.13 X°: ±1°

PJ. NO.: 127-272-090037-Y4G

OR IN PART WITHOUT

APPD. JM_Zheng

SIZE: A4 DRW NO.:

PRIOR WRITTEN PERMISSION.

CHKD. LYX

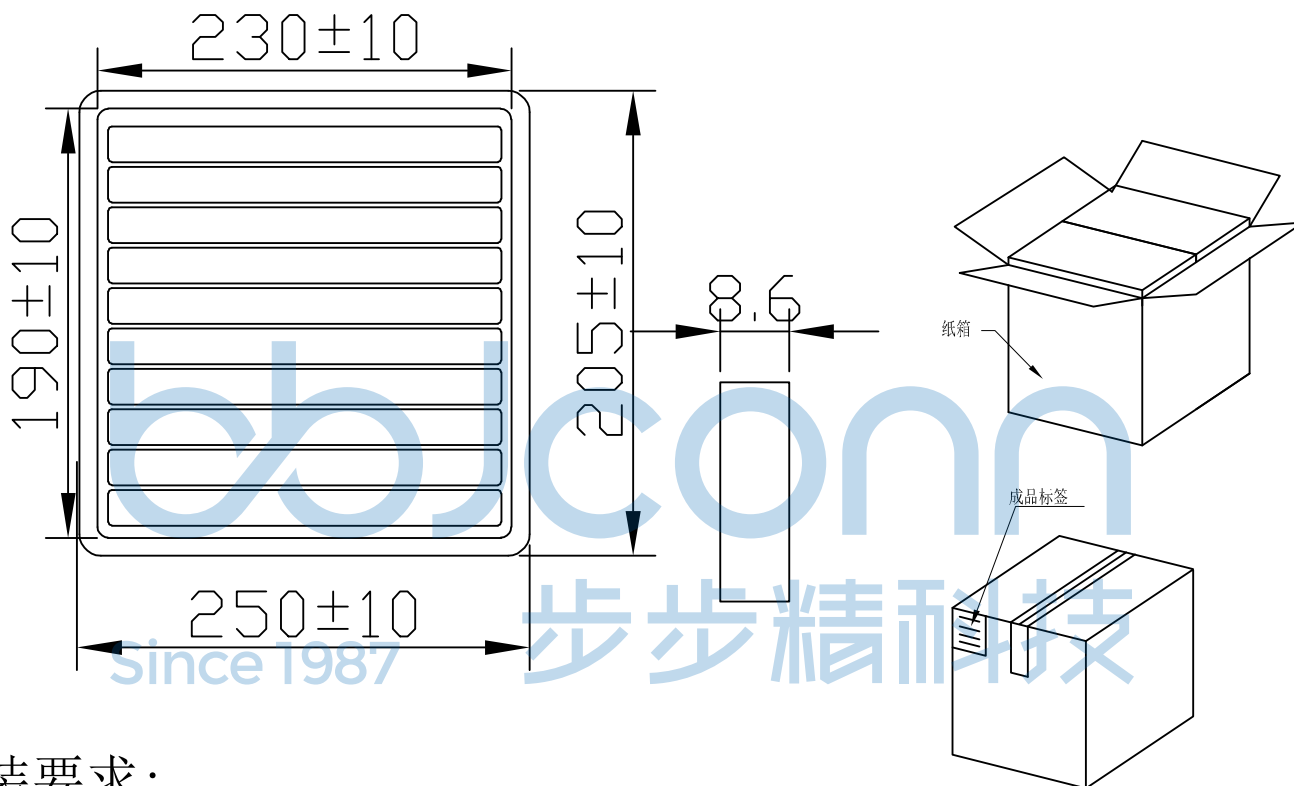
FINISH: SEE NOTES MAT'L.: SEE NOTES

PDWG.NO: 0471-1

DR. TSP

SCALE: N/A REV.: A0 UNIT: mm PAGE: 1/2

| | | | | |
|------|---------|-----------------|------|----------|
| REV. | ECN NO. | CONTENT | DATE | ENGINEER |
| A0 | | Initial release | / | TSP |



纸箱规格: 350*210*290

1. 包装要求:
- 1.1 每盒吸塑盒包装100pcs;
- 1.2 每20盘放一箱, 共计2000PCS;
- 1.3 纸箱外贴上标签。

| | | | |
|---|----------|--|-----------|
| THIS DOCUMENT IS THE SOLE PROPERTY OF BBJconn Technology Co.,Ltd Corporation AND SHOULD NOT BE USED IN WHOLE OR IN PART WITHOUT PRIOR WRITTEN PERMISSION. | | 深圳市步步精科技有限公司 | |
| .X: ±0.38 .XX: ±0.25 .XXX: ±0.13 X°: ±3° .X°: ±2° .XX°: ±1° | | NAME: USB 3.0 AF 外壳脚前贴后插 端子DIP 端子镀金1U L=14.25 沉板2.22 卷边 LCP蓝胶 不锈钢外壳 | |
| APPD. | JM_Zheng | P.J. NO.: 127-272-090037-Y4G | |
| CHKD. | LYX | SIZE: A4 DRW NO.: | |
| PDWG.NO: | 0471-1 | DR. | TSP |
| | | FINISH: | SEE NOTES |
| | | MAT' L.: | SEE NOTES |
| | | SCALE: | N/A |
| | | REV.: | A0 |
| | | UNIT: | mm |
| | | PAGE: | 2/2 |