

| REV. | ECN NO. | CONTENT         | DATE | ENGINEER |
|------|---------|-----------------|------|----------|
| A0   |         | Initial release | /    | TSP      |

NOTE:

1. MATERIAL:

- 1.1 INSULATOR:LCP UL 94V-0
- 1.2 CONTACT:BRONZE(T=0.20mm)
- 1.3 SHELL:SUS201(T=0.30mm)

2. ELECTRICAL CHARACTERISTICS;

- 2.1 CONTACT RESISTANCE:30mΩ MAXIMUM
- 2.2 CONTACT CURRENT RATING:1.5A
- 2.3 DIELECTRIC WITHSTANDING VOLTAGE:500 V R.M.S.
- 2.4 INSULATION RESISTANCE 1000 MEGOHMS MIN
- 2.5 OPERATING TEMPERATURE:-40° C ~ 85° C

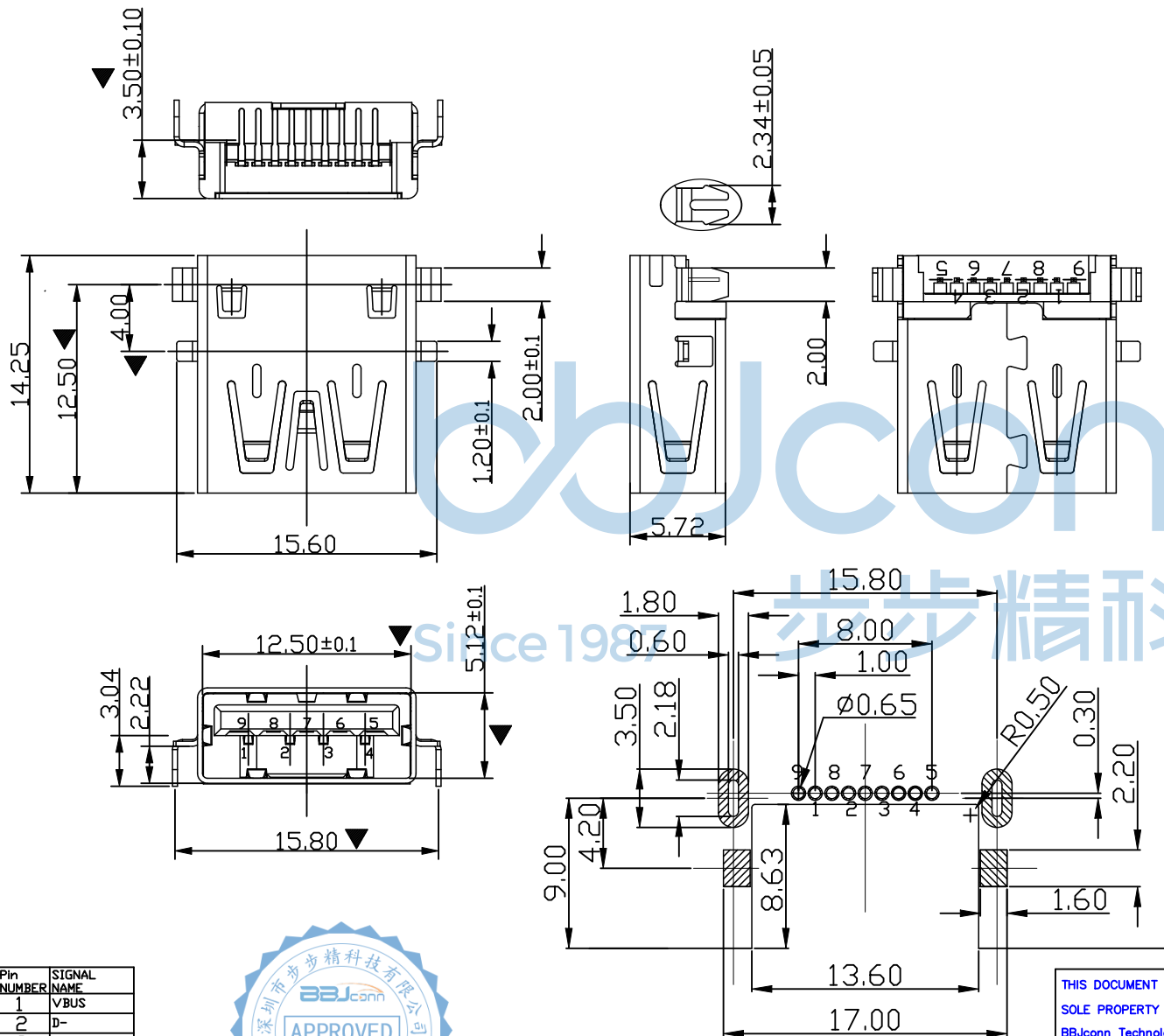
3 MECHANICAL CHARACTERISTICS:

- 3.1 MATING FORCE:3.57kg MAX
- 3.2 UNMATED FORCE:1.02kg MIN
- 3.3 DURABILITY:MANDATORY:5,000 CYCLES

4. PLATING

- 4.1 TERMINAL:  
50u" MIN NICKEL ALL OVER  
100u"MIN Tin ON SOLDER AREA  
(1~30)u"Au ON CONTACT AREA
- 4.2 SHELL:100u"MIN. NICEL ALL OVER

5. "▼" FOR MAJOR DIM

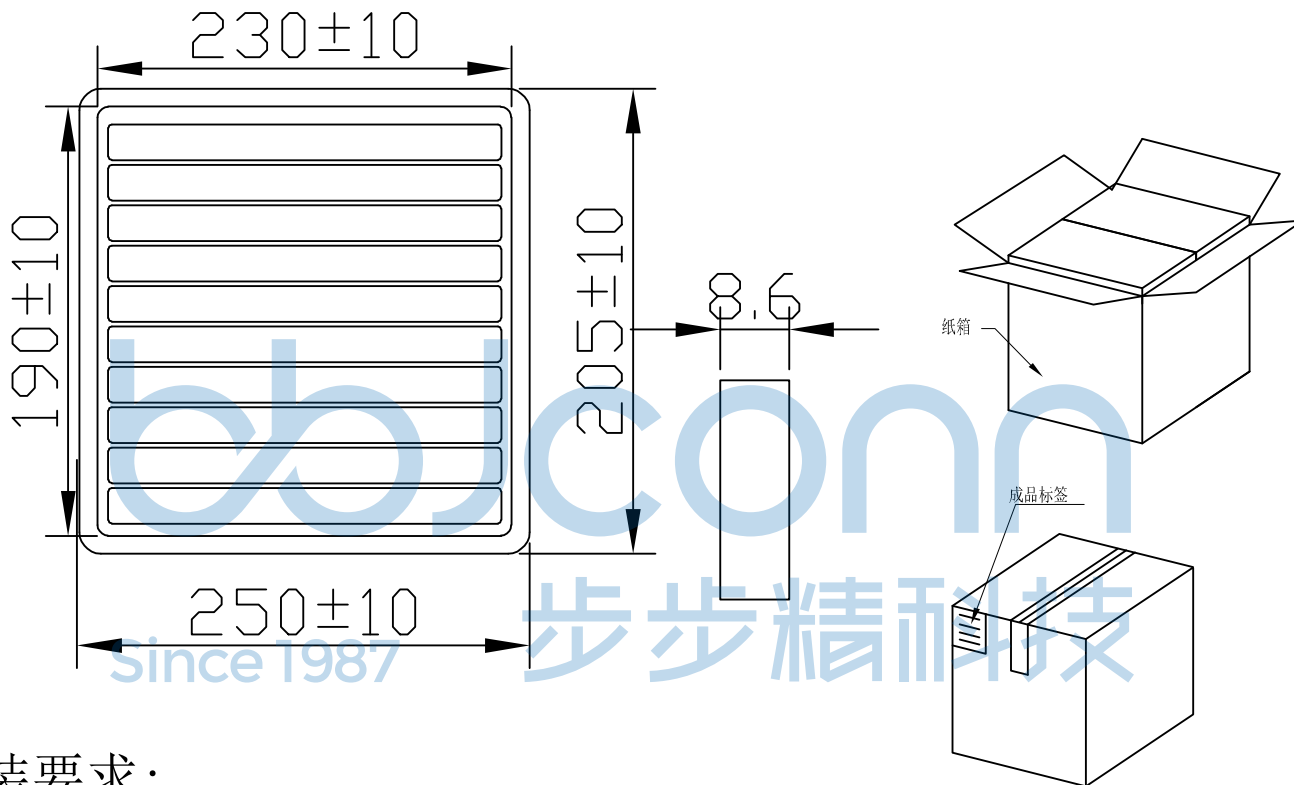


| Pin NUMBER | SIGNAL NAME |
|------------|-------------|
| 1          | VBUS        |
| 2          | D-          |
| 3          | D+          |
| 4          | GND         |
| 5          | StdA_SSRX-  |
| 6          | StdA_SSRX+  |
| 7          | GND_DRAIN   |
| 8          | StdA_SSTX-  |
| 9          | StdA_SSTX+  |
| Shell      | Shield      |

RECOMMENDED P.C.B LAYOUT(1.0~1.60±0.05)

|   |  |  |  |   |  |
|---|--|--|--|---|--|
| THIS DOCUMENT IS THE SOLE PROPERTY OF BBJconn Technology Co.,Ltd Corporation AND SHOULD NOT BE USED IN WHOLE OR IN PART WITHOUT PRIOR WRITTEN PERMISSION. |  | 深圳市步步精科技有限公司<br>.X: ±0.38    .XX: ±0.25    .XXX: ±0.13    X°: ±3°    .X°: ±2°    .XX°: ±1° |  | NAME: USB 3.0 AF 外壳脚前贴后插 端子DIP 端子镀金IU L=14.25 沉板2.22 平口 LCP蓝胶 不锈钢外壳<br>APPD. JM_Zheng<br>CHKD. LYX<br>PDWG.NO: 0471-1 |  |
| P.J. NO. : 127-272-090039-Y4G   |  | SIZE: A4   |  | DRW NO. :   |  |
| FINISH: SEE NOTES   |  | MAT' L. : SEE NOTES  |  | SCALE: N/A  |  |
| REV. : A0   |  | UNIT: mm   |  | PAGE: 1/2   |  |

| REV. | ECN NO. | CONTENT         | DATE | ENGINEER |
|------|---------|-----------------|------|----------|
| A0   |         | Initial release | /    | TSP      |



1. 包装要求:
- 1.1 每盒吸塑盒包装100pcs;
  - 1.2 每20盘放一箱, 共计2000PCS;
  - 1.3 纸箱外贴上标签。

纸箱规格: 350\*210\*290

|   |          |   |           |
|---|----------|---|-----------|
| THIS DOCUMENT IS THE SOLE PROPERTY OF BBJconn Technology Co.,Ltd Corporation AND SHOULD NOT BE USED IN WHOLE OR IN PART WITHOUT PRIOR WRITTEN PERMISSION. |          | 深圳市步步精科技有限公司  |           |
| .X: ±0.38    .XX: ±0.25    .XXX: ±0.13<br>X°: ±3°    .X°: ±2°    .XX°: ±1°  |          | NAME: USB 3.0 AF 外壳脚前贴后插 端子DIP 端子镀金IU L=14.25 沉板2.22 平口 LCP蓝胶 不锈钢外壳 |           |
| APPD.   | JM_Zheng | P.J. NO.: 127-272-090039-Y4G  |           |
| CHKD.   | LYX      | SIZE: A4    DRW NO.:  |           |
| PDWG.NO:  | 0471-1   | DR.   | TSP       |
|   |          | FINISH:   | SEE NOTES |
|   |          | MAT' L.:  | SEE NOTES |
|   |          | SCALE:  | N/A       |
|   |          | REV.:   | A0        |
|   |          | UNIT:   | mm        |
|   |          | PAGE:   | 2/2       |