

REV.	DESCRIPTION	NAME	DATE
A	NEWS ISSUE		

NOTE:

1. MATERIAL:

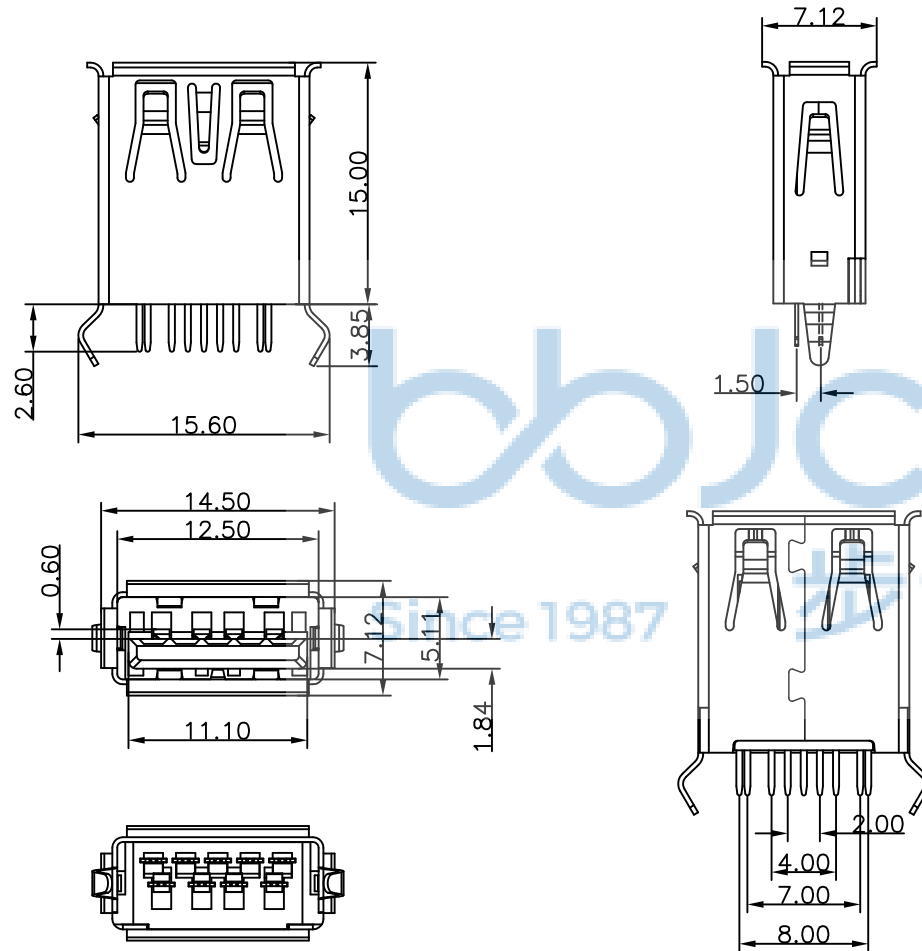
- 1.1 INSULATOR:PBT & PA9T &LCP
- 1.2 CONTACT:COPPER ALLOY
- 1.3 SHELL:BRASS&SPCC&SUS201

2. ELECTRICAL CHARACTERISTICS:

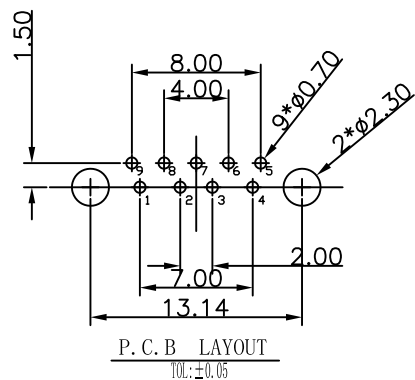
- 2.1 CONTACT RESISTANCE:40mΩ MAXIMUM
- 2.2 CONTACT CURRENT RATING:1.5A
- 2.3 DIELECTRIC WITHSTANDING VOLTAGE:100 V R. M. S.
- 2.4 INSULATION RESISTANCE 100 MEGOHMS MIN
- 2.5 OPERATING TEMPERATURE:-20° C ~ 60° C

3. PLATING

- 3.1 TERMINAL:
50u" MIN NICKEL ALL OVER
100u"MIN Tin ON SOLDER AREA
(1~30)u"Au ON CONTACT AREA
- 3.2 SHELL:80u"MIN.NICEL ALL OVER

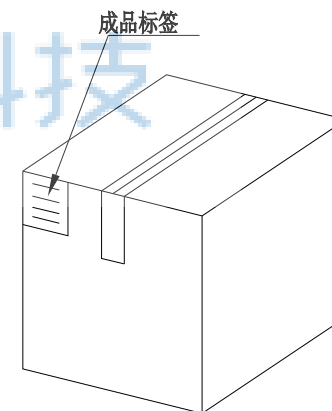
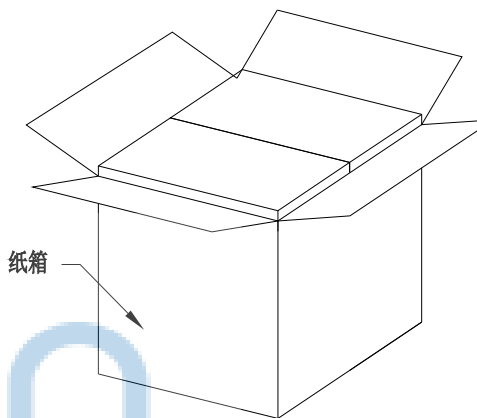
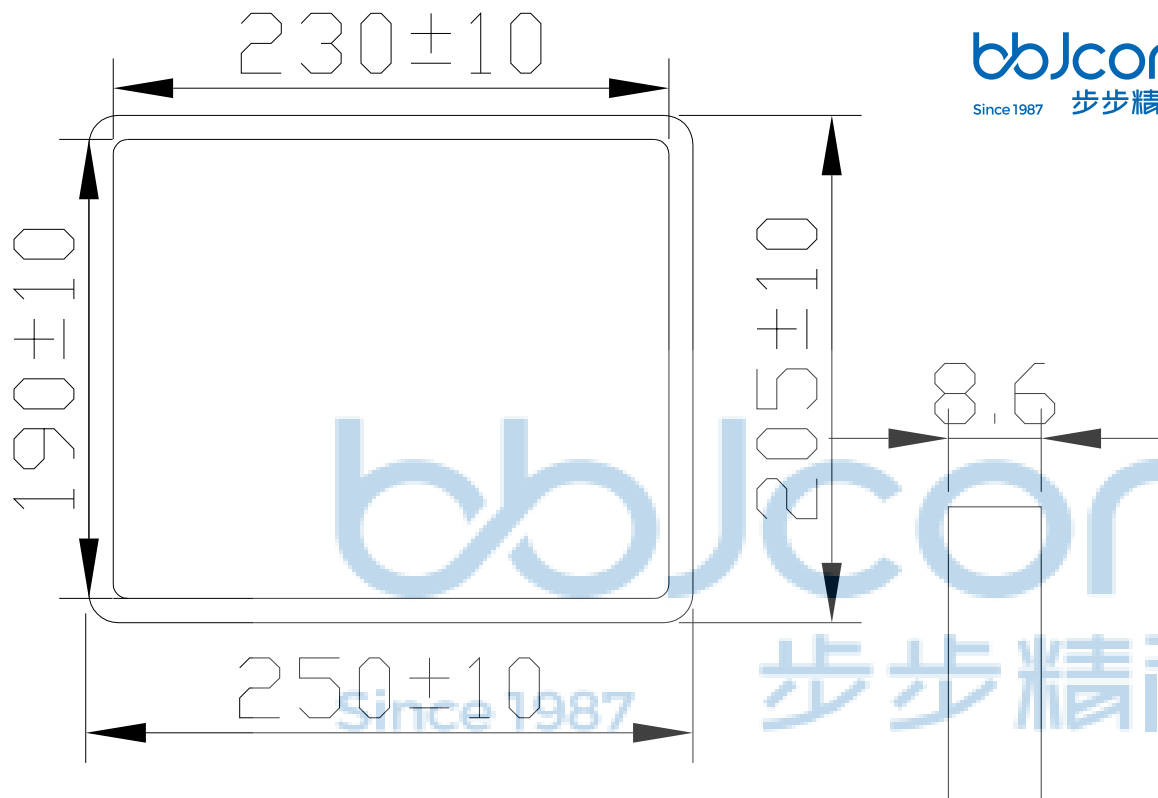


Pin NUMBER	SIGNAL NAME
1	VBUS
2	D-
3	D+
4	GND
5	StdA_SSRX-
6	StdA_SSRX+
7	GND_DRAIN
8	StdA_SSTX-
9	StdA_SSTX+
Shell Shield	



TOLERANCES UNLESS OTHERWISE SPECIFIED X. ±0.30 X.X ±0.20 X.XX ±0.15 X.XXX ±0.05 ANGEL ±1°		深圳市步步精科技有限公司 TITLE: USB 3.0 AF 180度 H=15.0 弯脚 LCP 蓝胶 卷边 铜壳 DIP		
DRAWN/ DATE	设计 LYX	SIZE:A4	UNIT:MM.	PART. NO: 127-275-090005-Y4G
CHECKED/ DATE	审核 HMY	SCALE: 1:1	PROJECTION	REV.: 版本
APPROVED/ DATE	核准 LJP	DWG. PATH	0471-1	SHEET: 页码

bbJconn
Since 1987 步步精科技



纸箱规格: 350*210*290

1. 包装要求:

- 1.1 每盒吸塑盒包装100pcs;
- 1.2 每20盘放一箱, 共计2000PCS;
- 1.3 纸箱外贴上标签



TOLERANCE UNSPECIFIED		深圳市步步精科技有限公司 TITLE: USB 3.0 AF 180度 H=15.0 弯脚 LCP 蓝胶 卷边 铜壳 DIP			
.0	±0.35	SIZE: A4	UNIT: MM.	PART. NO: 127-275-090005-Y4G	
.00	±0.25	CHECKED/ DATE	SCALE: 1:1	PROJECTION	REV.: 版本
.000	±0.15	APPROVED/ DATE	DWG. PATH	0471-1	SHEET: 页码
X. °	±2.00°				
CUSTOMER DRAWING					